

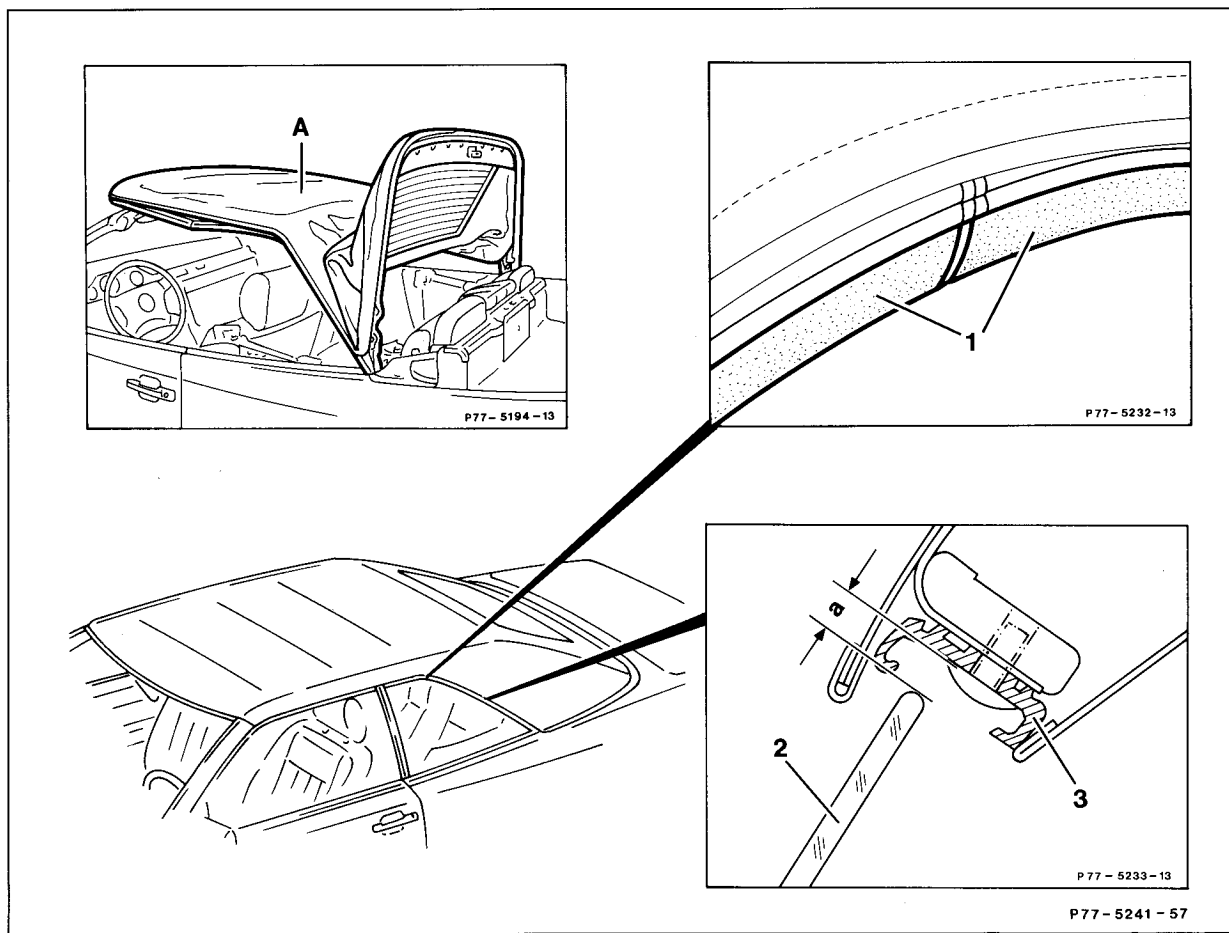
77-310 Adjustment of soft top

Preliminary work:
Side windows adjusted

Operation no. of operation texts and work units or standard texts and flat rates:

Note

Perform adjustment work in sequence specified.
The soft top can be moved to all of the required positions with the soft top switch or by hand.



Sealing frame (1) on soft top	remove, install.
Soft top	move to position "A".
Rear side windows	raise.
Ignition	off.
Gap "a" = 9 mm between window (2) and rail (3)	measure with gauge, adjust if required by moving soft top mount.

3/2011

Soft top mounts

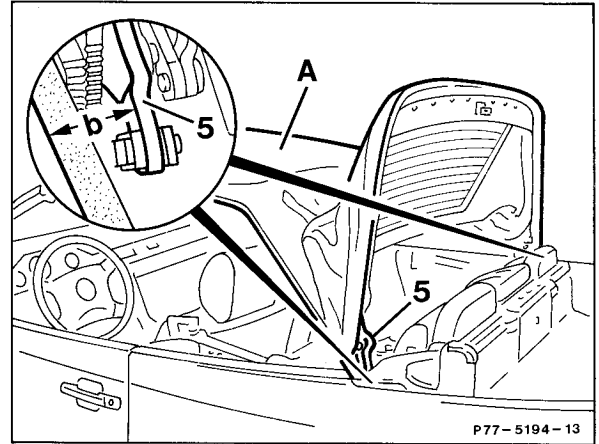
align in relation to fender, dimension "b"



Dimension "b" must be equal on both sides. Do not twist soft top mounts.

When pulling down soft top frame at front ensure that transition to A-pillar is equal.

Correct soft top mounts, if required.

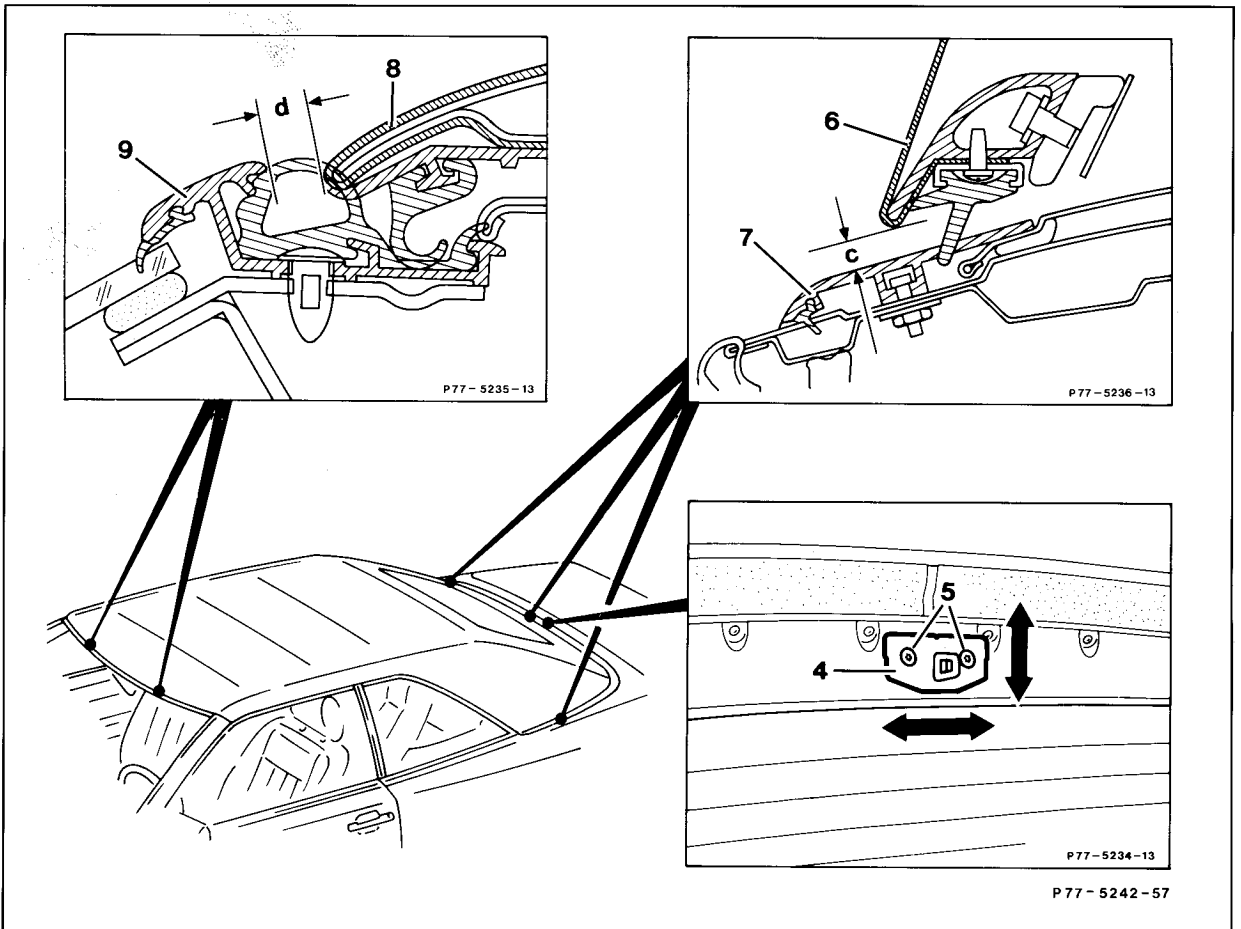


Bolts on soft top mount

tighten.

Soft top compartment cover

lock.



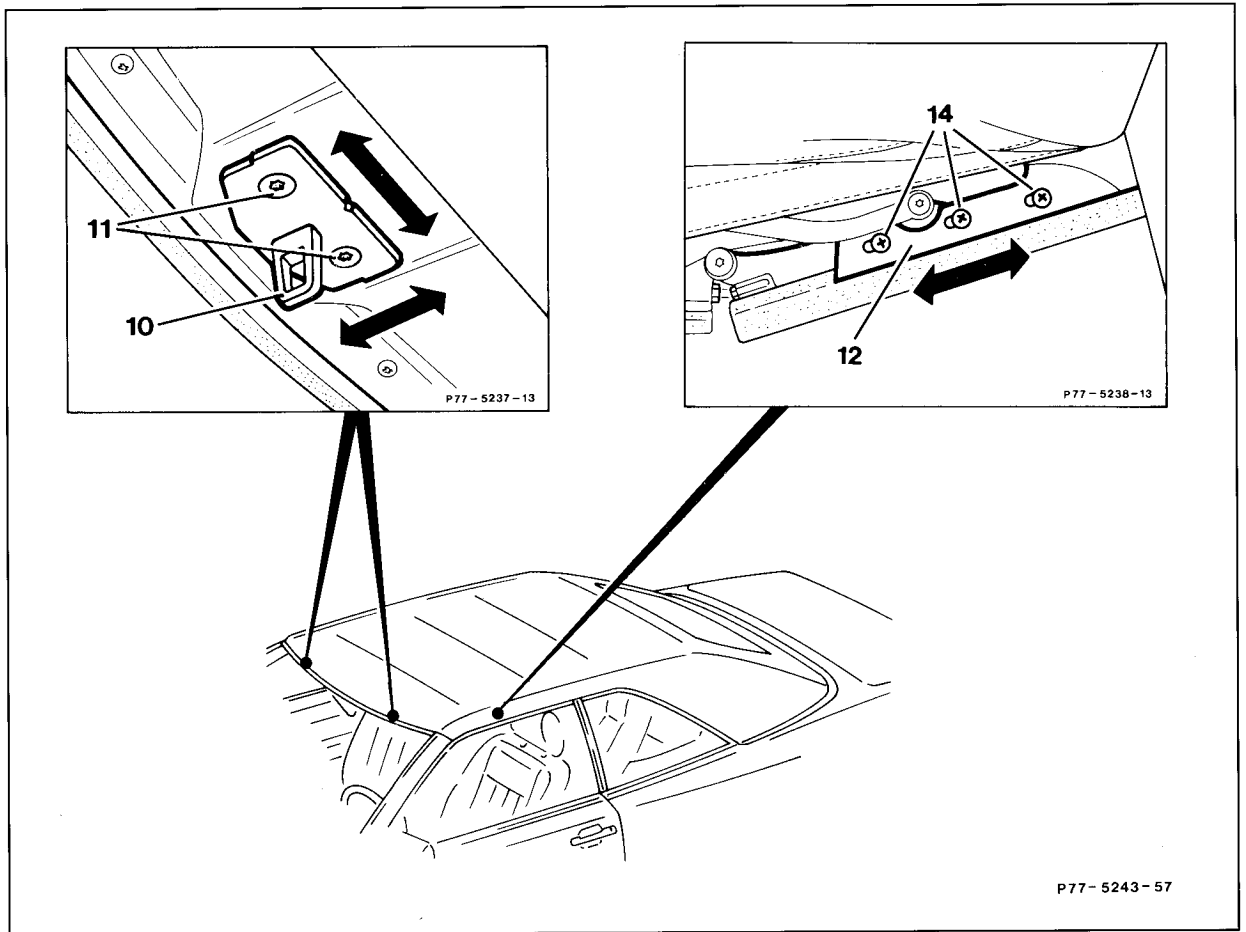
Soft top



lock at front.

Soft top bow

pivot downward by hand (window center area) and check alignment of locking pin (4) in locking funnel, adjust, if required.

Position of locking pin (4)	mark with felt tip pen.
Screws (5)	loosen and adjust locking pin (4) in direction of arrow so that it runs into center of locking funnel without touching.
Screws (5)	tighten.
Soft top bow	lock.
Gap dimension "c" = 8 mm between soft top bow (6) and soft top compartment cover (7)	check with special tool 129 589 03 21 00, adjust, if required.
	Note
	Adjust gap dimension "c" = 8 mm by adding or removing spacer plates on locking pin (4).
Soft top	lock completely.
Gap dimension "d" = 9 mm between soft top (8) and molding strip (9) for windshield in area of locking pin	check with special tool 129 589 03 21 00, adjust, if required.
Soft top	unlock and push soft top frame up.



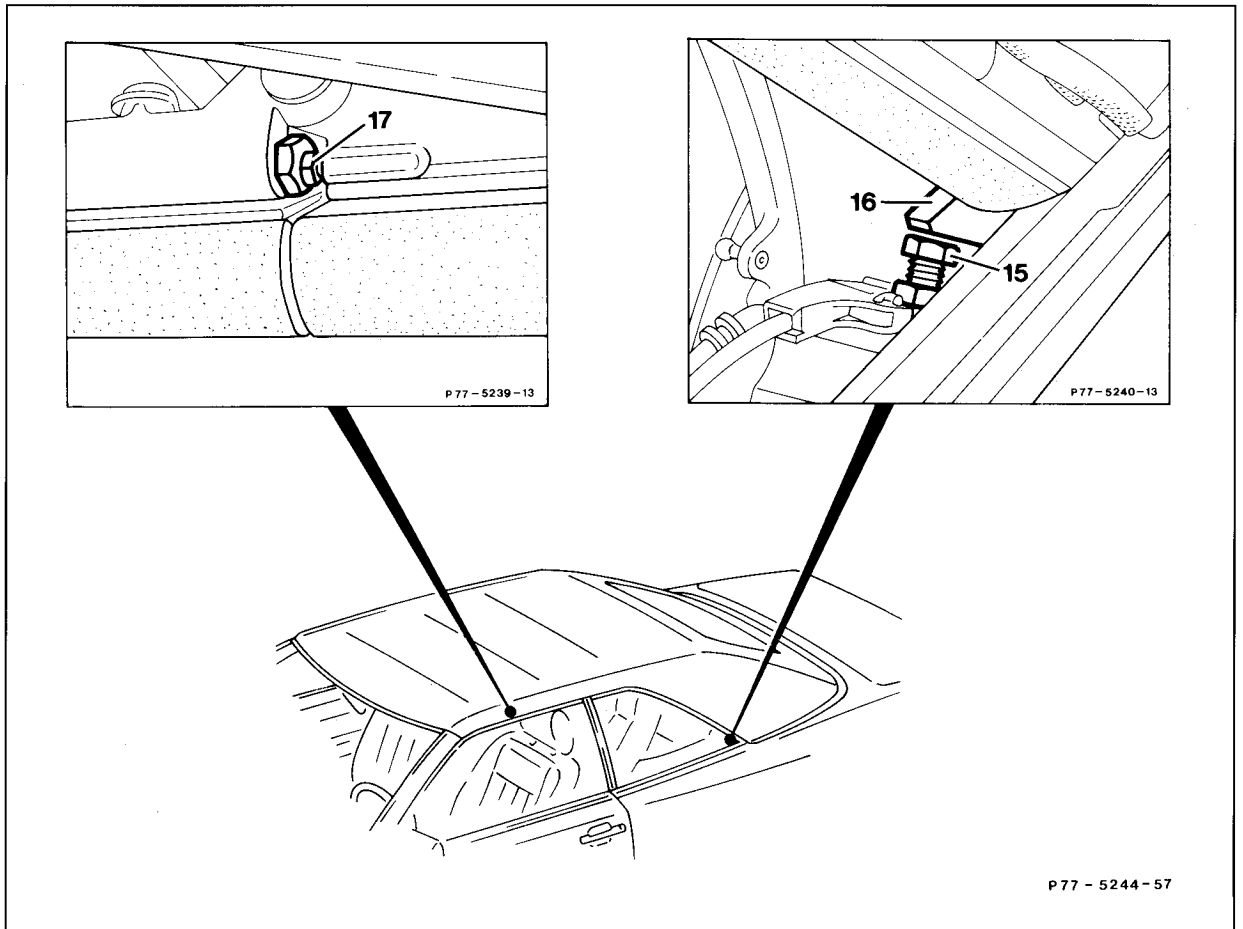
- | | |
|------------------------------------|--|
| Position of locking pin (10) | mark with felt tip pen. |
| Screws (11) | loosen, adjust gap by sliding locking pin (10) (arrow) toward rear (gap becomes smaller) or toward front (gap becomes larger). |
| Locking pin (10) | adjust by sliding sideways so that it engages exactly in the center of the locking funnel. |
| |  |
| | If the locking pin is adjusted so that it is twisted in relation to the lock, more force is required to close the soft top. |
| | Correct adjustment. |
| Screws (11) | tighten. |
| Soft top frame | press down and check engagement of locking pin in locking funnel, adjust, if required. |
| |  |
| | When checking the hydraulic system must be under pressure. Actuate soft top switch for 3 seconds in the direction "close". |

Position of soft top frame (12) on main arm (13) .
Screws (14)

mark with felt tip pen.
loosen and adjust soft top frame (12) (arrow) so
that locking pin engages in center of locking
funnel.



Before rechecking switch the ignition off and
then back on and actuate the soft top switch for
3 seconds in the direction "close".



Soft top
Stop screw (15, 17)
Stop screw (15)
Stop screw (17)
Rain test

lock completely.
check, adjust, if required.
adjust so that a thin strip of paper can just be
slipped between the screw and A-pillar (16).
adjust so that the screw heads touch with slight
tension.

After completing the adjustment work check the
entire operation of the soft top a number of
times.
perform.

Special tool

