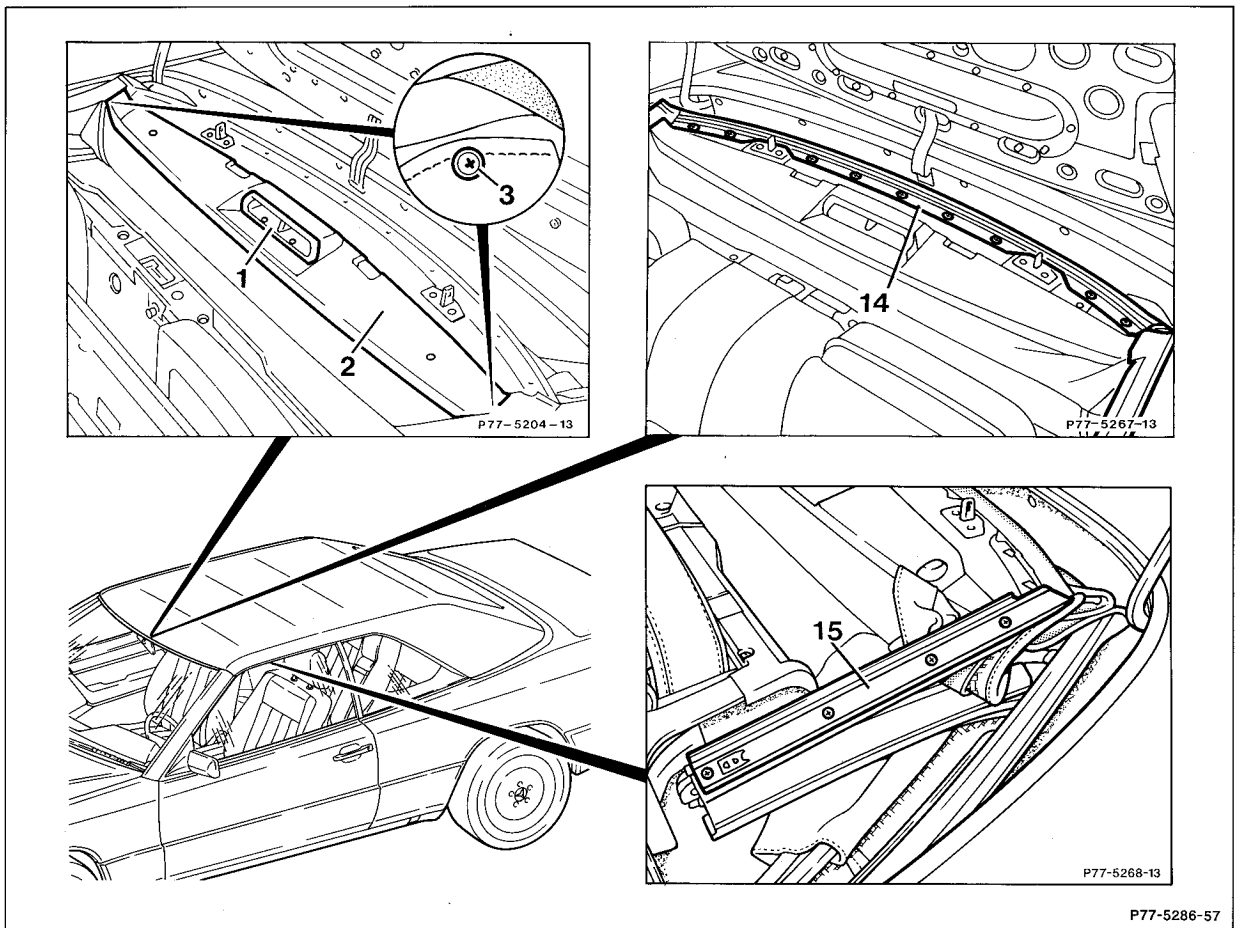


77-308 Replacement of soft top cover

Preliminary work:
Body masked in working area.



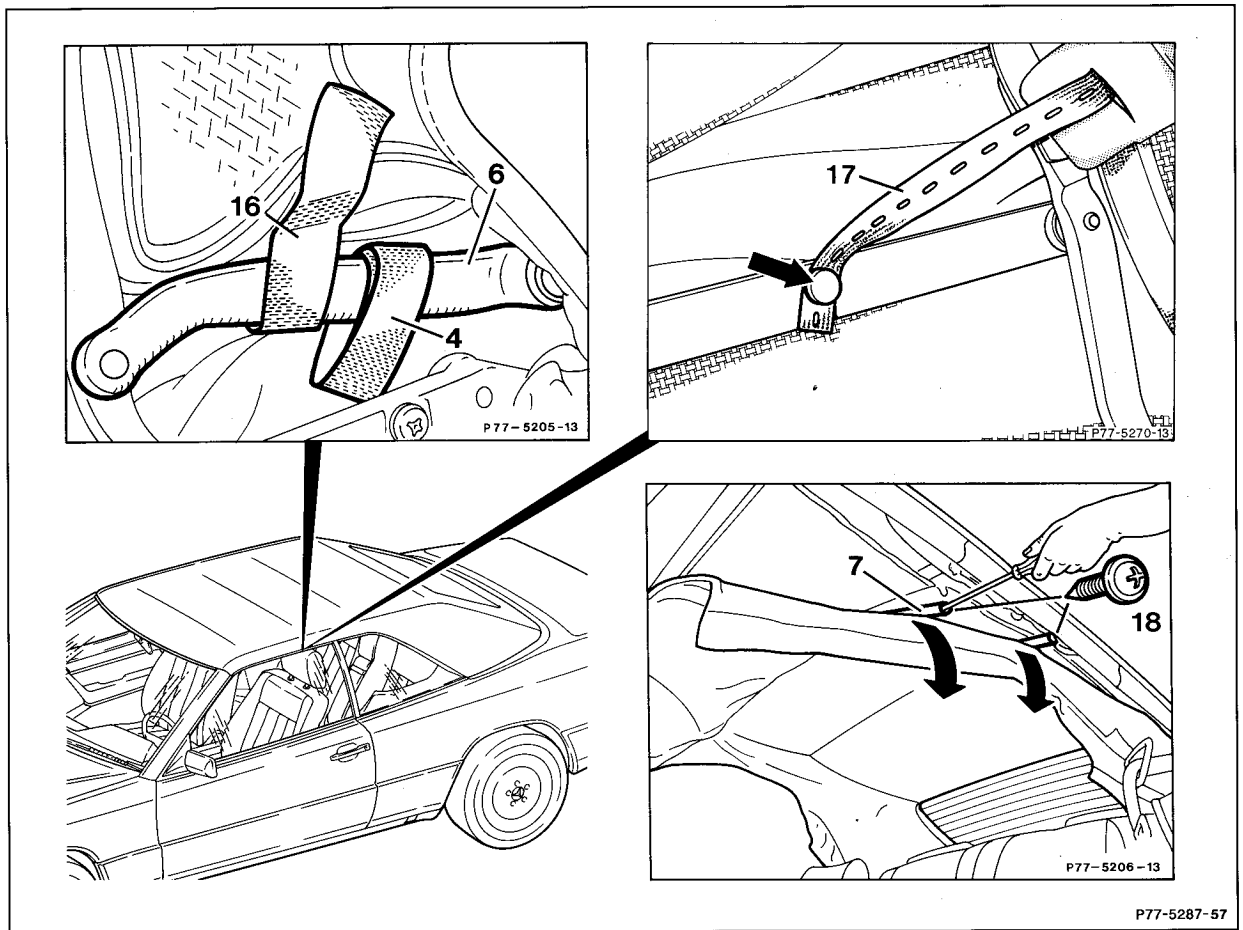
- | | |
|---|---|
| Soft top | fold down into soft top compartment, leave soft top compartment cover open. |
| Recessed handle (1), cover (2) | remove, install. |
| Screw (3) | unscrew, screw in. |
| Seal at front of soft top on side | remove, install. |
| Rail (14) on soft top frame | remove, install (items 83-85). |
|
 | |
| Note | |
| Mark position of rail. | |
|
 | |
| Rail (15) | remove, install (item 86). |
| Headlining and intermediate layer | unhook from soft top frame at front, hook in. |

Cover strips on soft top frame
 Soft top

detach, glue on (items 25–30).
 close, push up soft top frame at front, close soft
 top compartment cover, put up soft top bow.

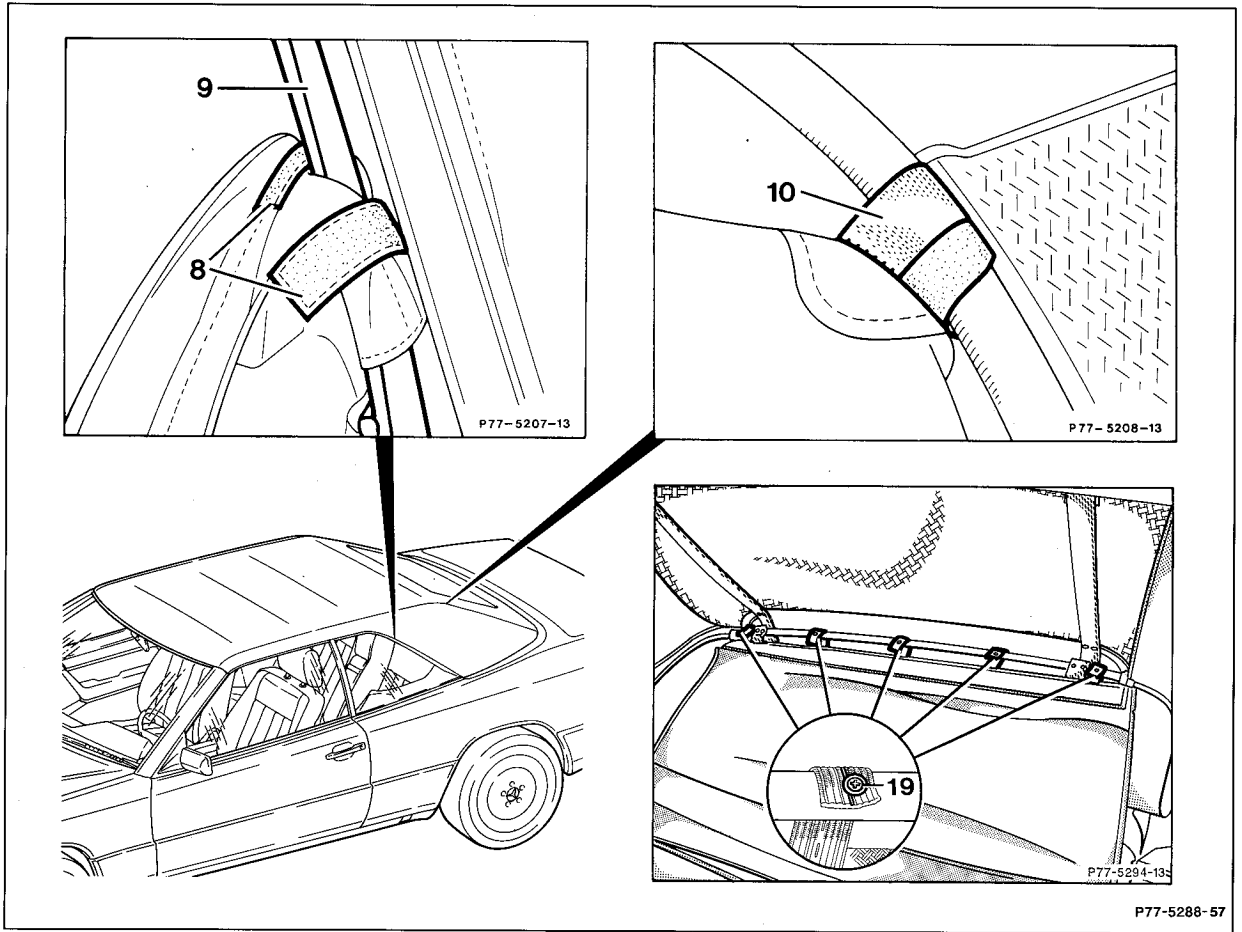


When moving the soft top with the switch pay
 attention to parts already loose (headlining,
 intermediate layer).

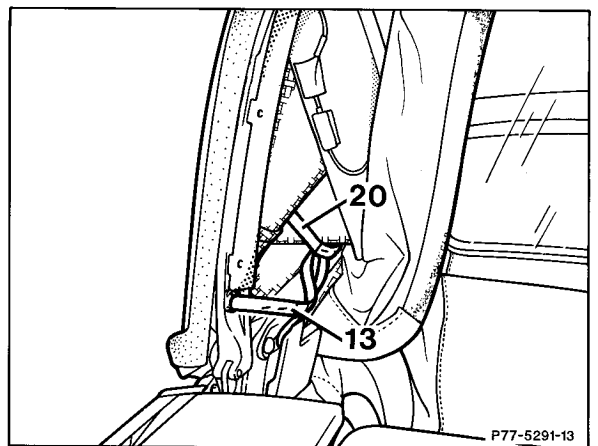
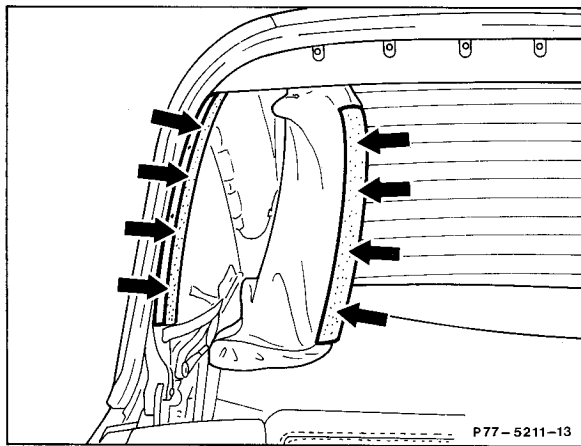
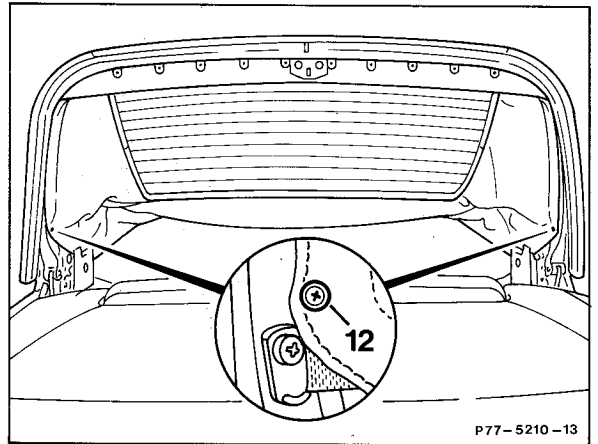
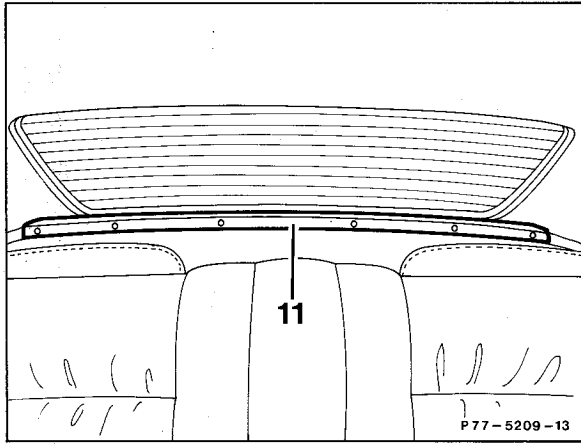


Velcro strip (4, 16) on guide arm (6)
 Rubber strap (17)
 Screw (18) on retaining bar (7)

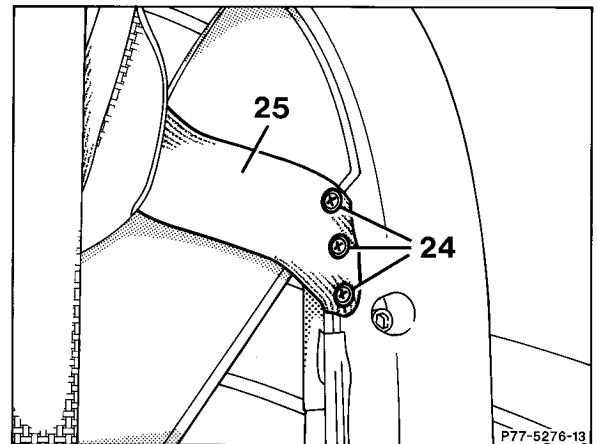
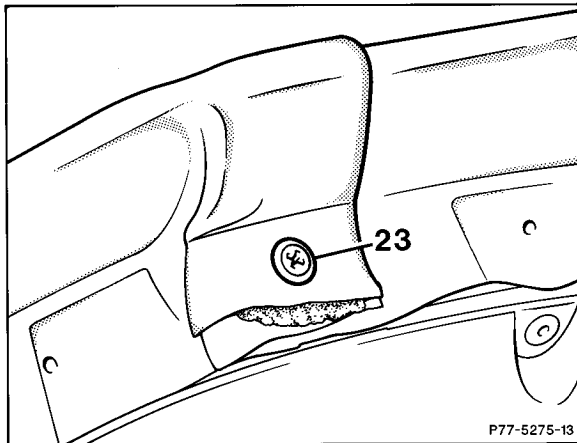
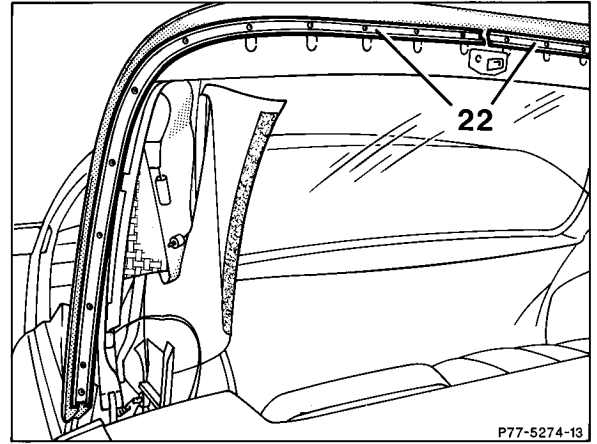
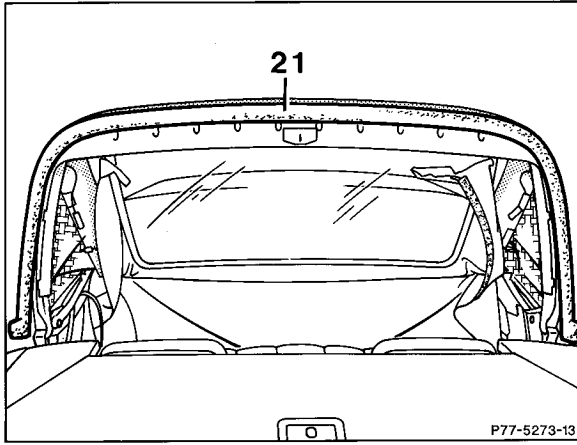
open, close (item 73).
 remove, install (item 72).
 unscrew, screw in and press retaining bar off
 with screwdriver (item 68).



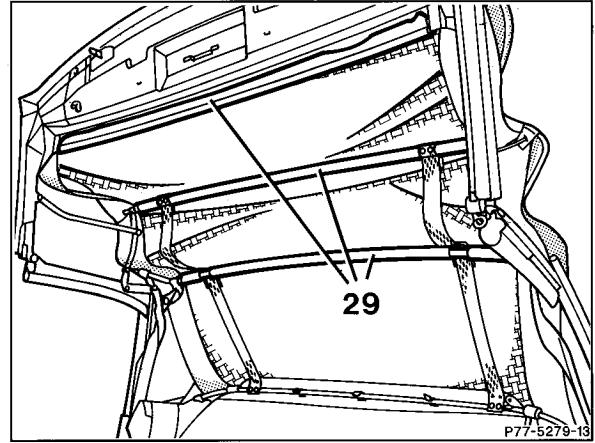
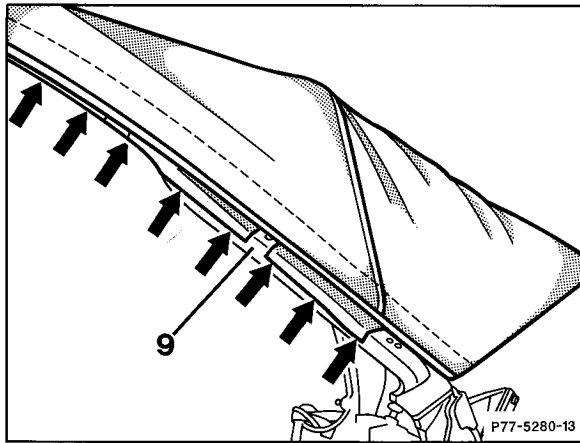
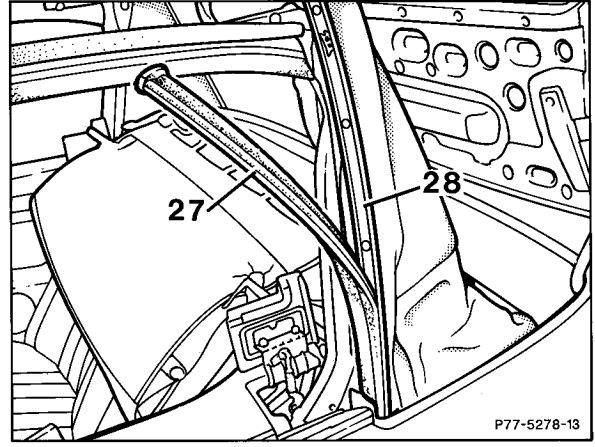
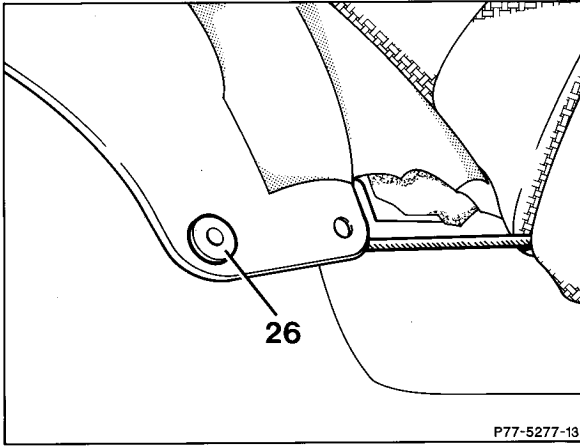
- | | |
|---|--|
| Velcro strip (8) on main pillar (9) | open, close (item 71). |
| Velcro strip (10) on corner brace | open, close (item 70). |
| Screw (19) | screw out, screw in (item 13). |
| Intermediate layer | detach from braces, glue on (items 66-67). |



- | | |
|-----------------------------|---|
| Cover (11) | remove, install. |
| Screw (12) | unscrew, screw in. |
| Headlining (arrows) | pull off soft top bow, install (item 76). |
| Velcro strip (13, 20) | open, close (items 75, 63). |

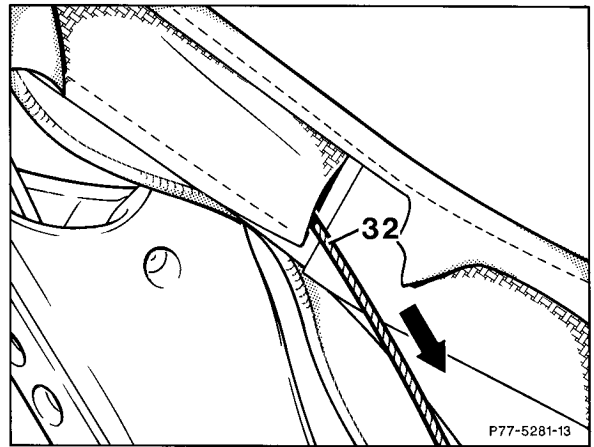
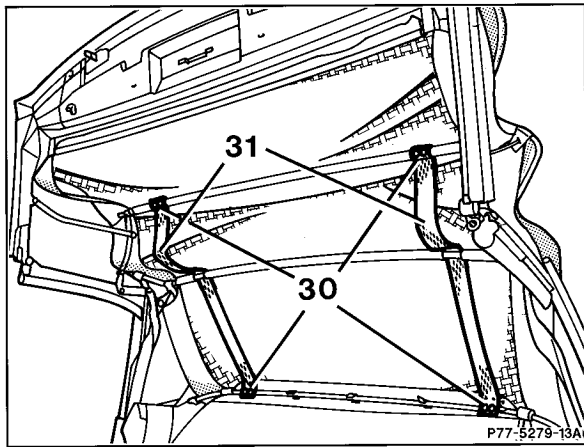


Seal (21)	remove, install.
Rail (22)	remove, install.
Screw (23, rubber strap mount)	unscrew, screw in (item 50).
Soft top cover	detach from soft top bow, glue on (items 19-24).
Plug connectors for heated window on left and right	disconnect, connect.
Soft top bow	lower.
Screw (24) on rubber strap (25)	unscrew, screw in (item 37).



- | | |
|------------------------------------|--|
| Rivet (26) on soft top frame | drill out, rivet (item 16). |
| Soft top compartment cover | open, lower soft top bow and move soft top to vertical position. |
| Seal (27) | remove, install. |
| Rail (28) | remove, install (item 58). |
| Soft top | lock at front. |
| Cover strips (arrows) | detach from main pillar (9), glue on (items 56-57). |
| Cover strips (29) | detach from soft top frame and braces, glue on (item 65). |

Handwritten signature or mark



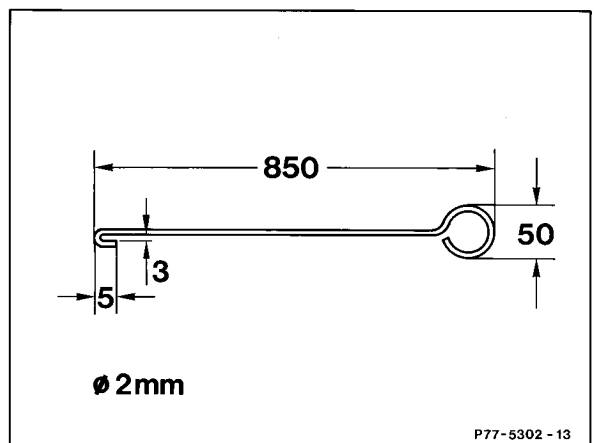
- | | |
|---|--|
| Screw (30) on strap (31) | unscrew, screw in (items 11-12). |
| Cable (32) at side of soft top cover | pull out, pull in (item 14). |
| Soft top cover | remove from vehicle with help of second mechanic and lay down on assembly table. |
| Headlining, rear window and intermediate layer .. | remove, install (item 1-5). |

Commercially available tool

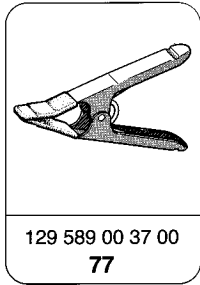
Designation	e.g. company
Simplex A tacking pliers	Carl Lohrmann GmbH & Co Porschestraße 6 7337 Albershausen

Shop-made tool

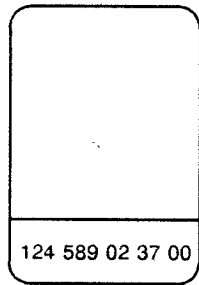
Hook



Special tools



2 each



30 each

Preparing new soft top cover

Note

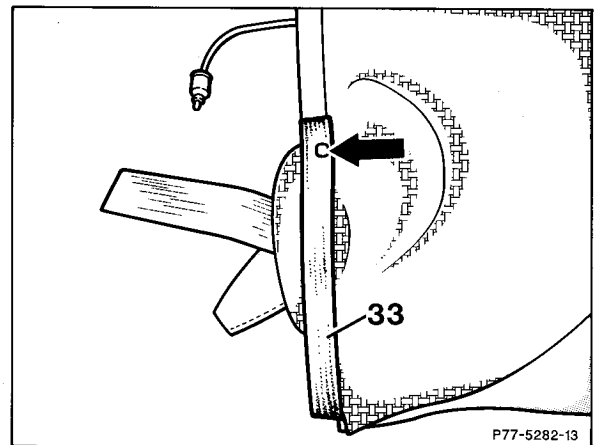
Use a new gasket when installing the rear window.

1 Install rear window, intermediate layer and headlining in frame on soft top cover.

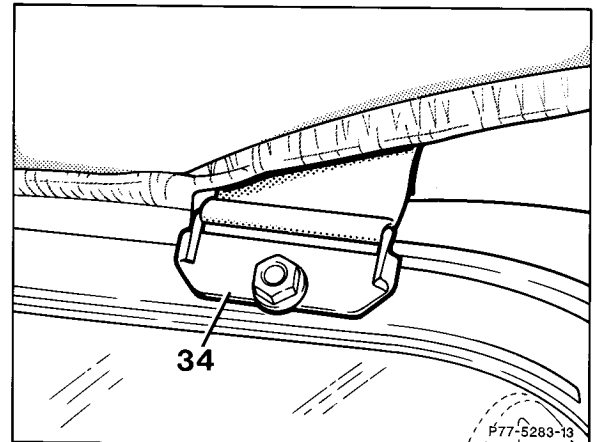
2 Replace rubber strap (33).

Note

Ensure that the stud (arrow) is parallel to the frame.



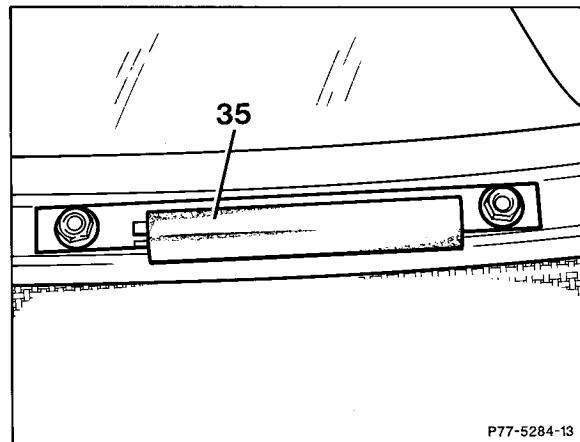
3 Position bracket (34).



- 4 Position slider (35).
- 5 Screw on nuts and tighten.



Tighten nuts uniformly to prevent window gasket from becoming wavy.

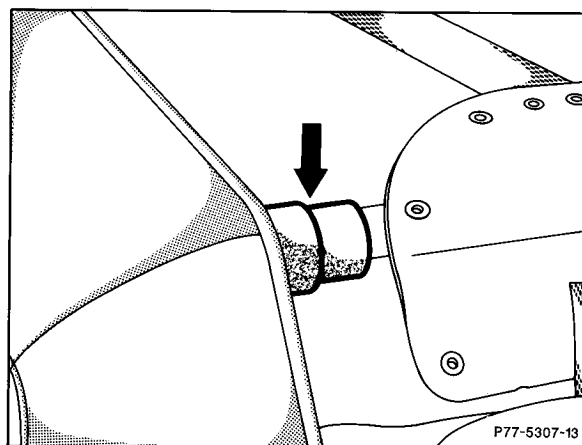


Installing soft top cover

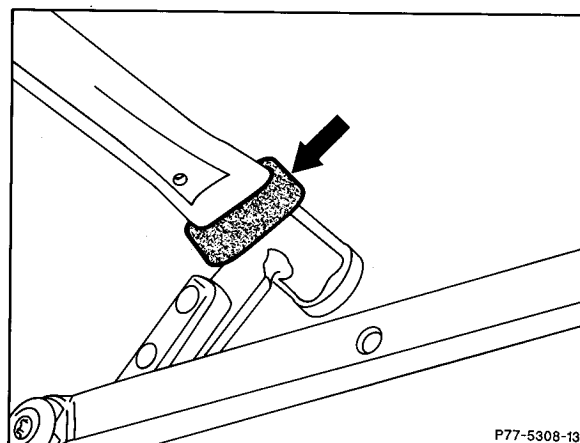
Note

Use MB special glue 000 989 92 71 to fasten soft top cover to soft top frame.

- 6 Completely lock soft top.
- 7 Check felt (arrow) on corner brace, replace, if required.

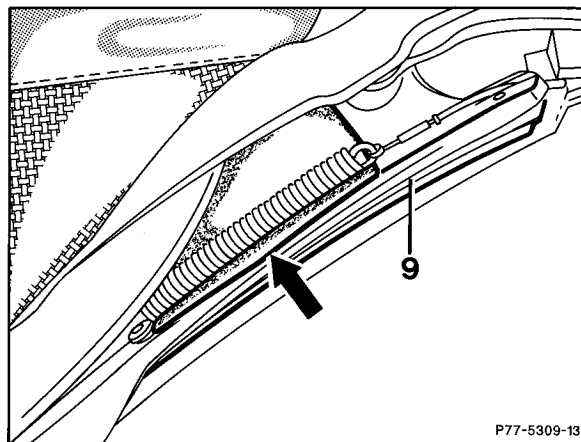


- 8 Check felt (arrow) on front brace, replace, if required.



9 Check felt (arrow) below spring on main pillar (9), replace, if required.

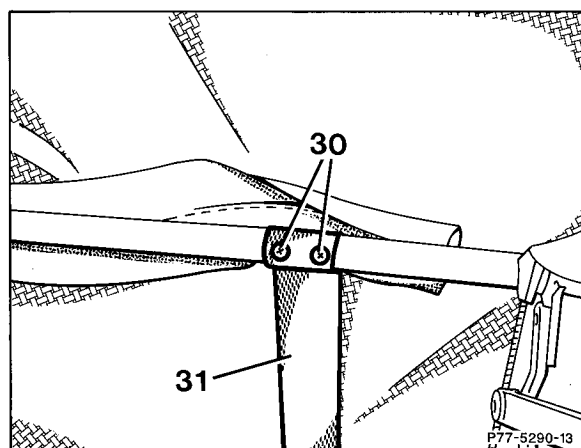
10 Position cover on soft top frame with help of second mechanic.



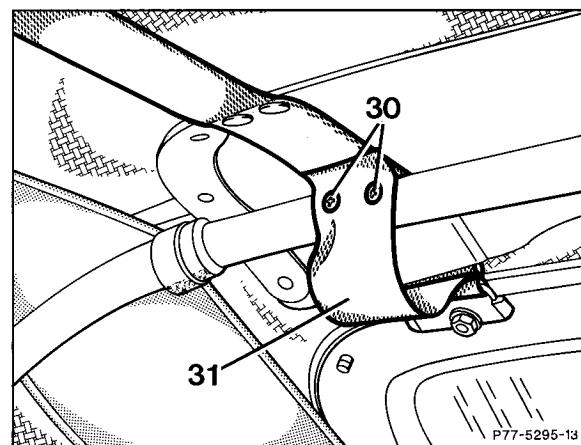
11 Fasten strap (31) to front brace.

Installation note

The position of the rear window can be corrected with the strap (31). This is necessary when the window is too low at the top corner area.



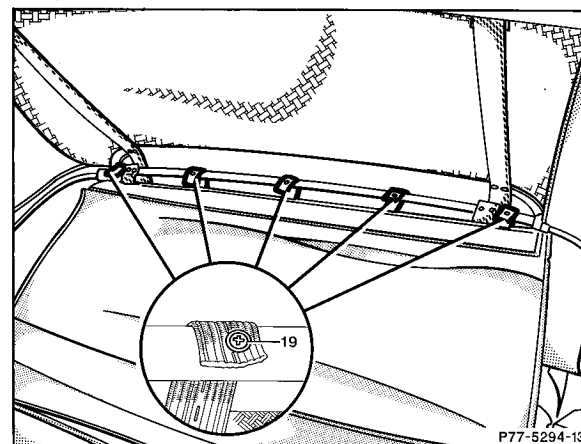
12 Fasten strap (31) on corner brace.



13 Install screw (19) in corner brace through rubber strap.

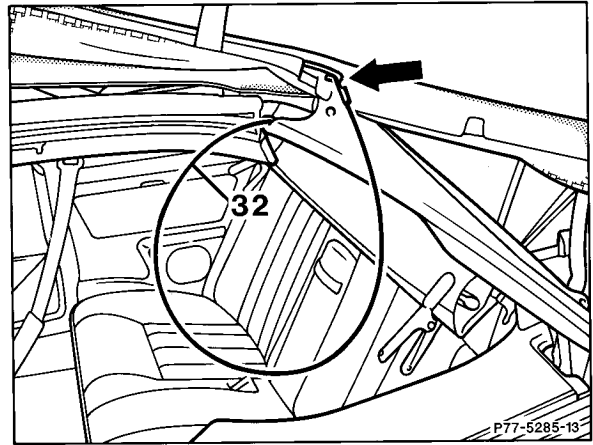


Screw in screw between oblong holes.

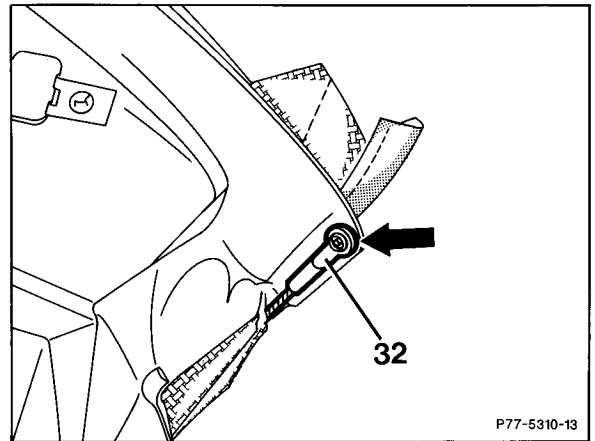


14 Pull cable (32) into cover at side with hook (shop-made).

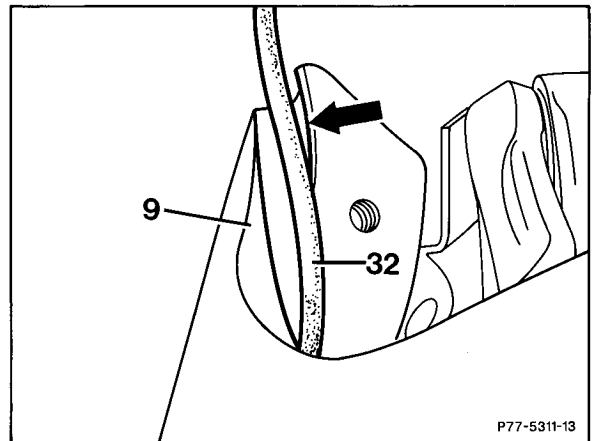
15 Open soft top at front and push soft top frame up.



16 Rivet cable (32) to soft top frame.

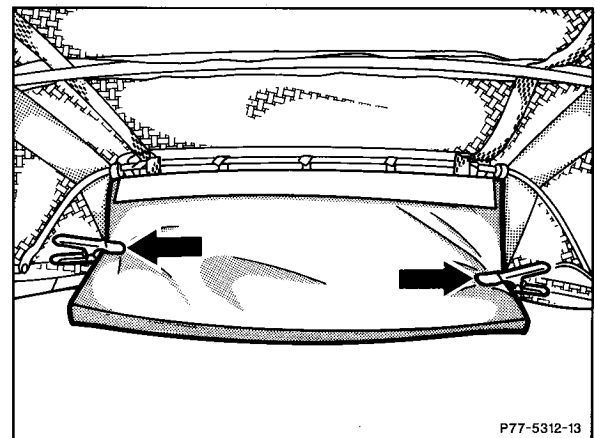


When the soft top is closed the cable (32) must be located in the recess at the top of the main pillar (9).



17 Fold intermediate layer and headlining together and fasten with two clamps 129 589 00 37 00.

18 Put up soft top bow.



19 Apply glue to soft top bow and cover (arrows).

20 Put down soft top bow (do not lock).

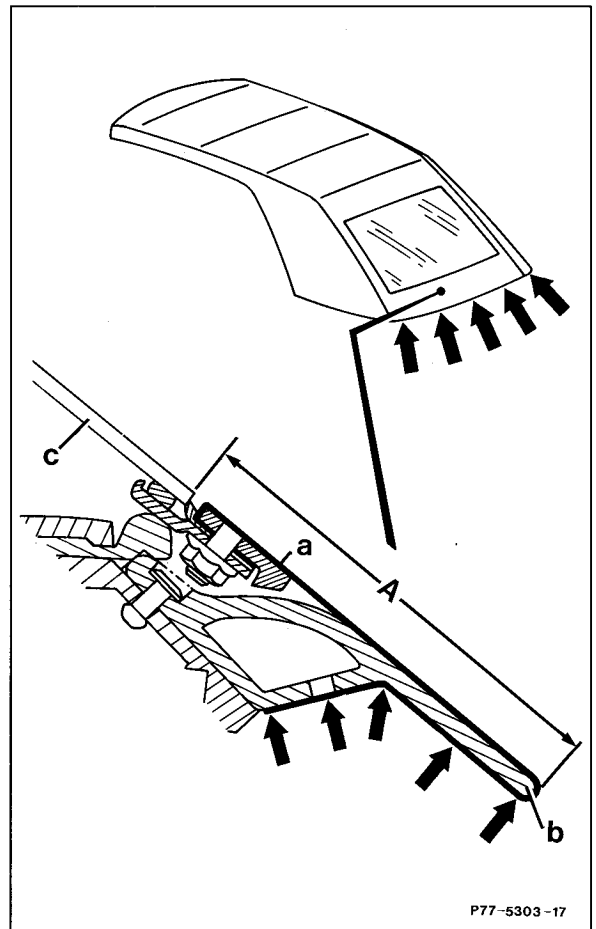
21 Position cover (item a) on soft top bow (item b) with mark in center and glue on inside (arrows).



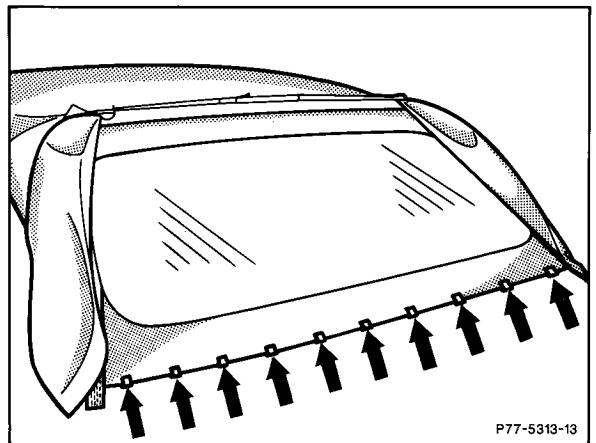
Observe dimension "A" = 84 mm from bottom edge of window (item c) to bottom edge of soft top bow (item b). Measure at center as well as at left and right at approx. 400 mm.

22 Put up soft top bow and rub cover down well.

23 Open soft top compartment cover, put down soft top bow.

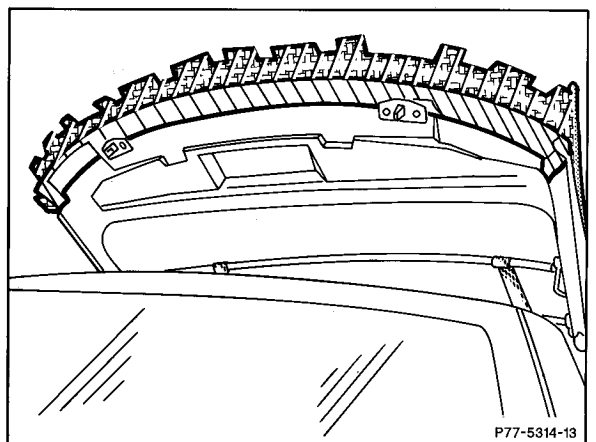


24 Fasten cover to soft top bow with clips 124 589 02 37 00 (10 each, arrows).

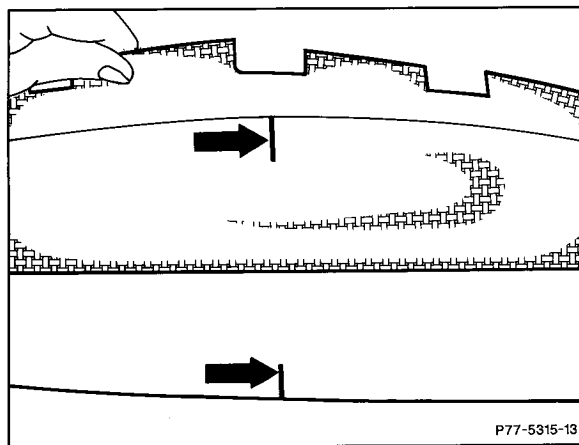


25 Apply glue to soft top frame at front and to cover.

26 Pull soft top frame down until locking pins move into catches (to first detent).

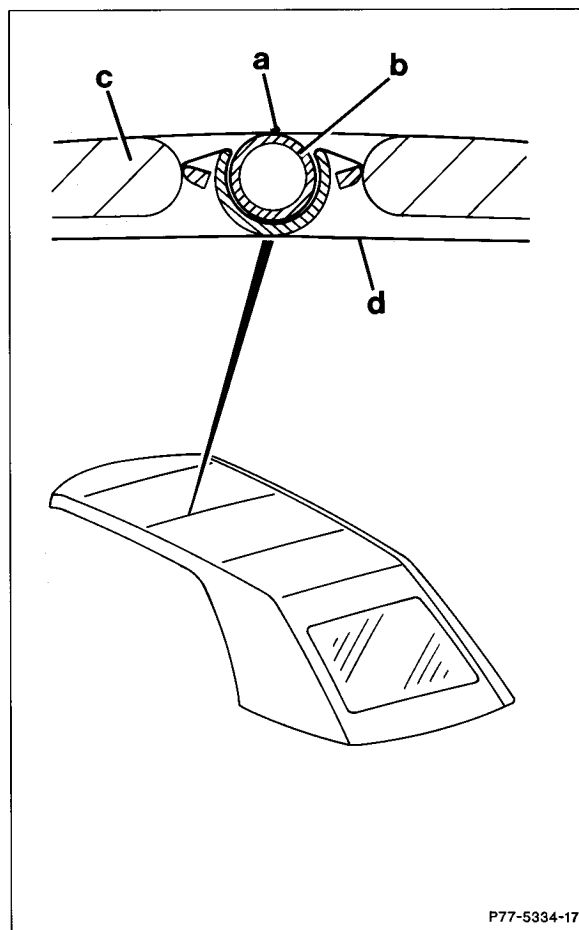


27 Pull cover down at front and position on soft top frame with marking (arrows).



Installation note

Align the cover so that the seam (item a) is approximately 10 mm in front of the center of the front brace. This ensures that the seam will be in the center of the brace when the soft top is completely locked.



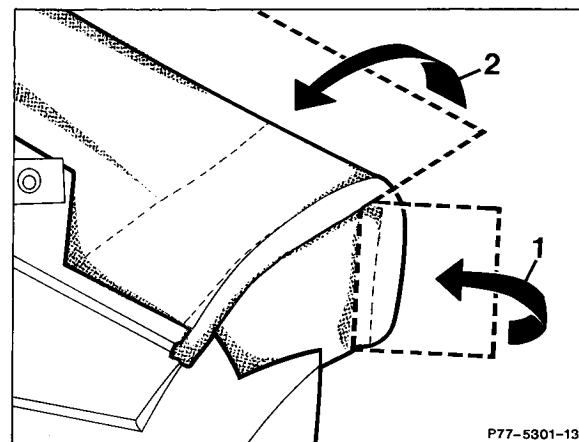
- a = Seam on cover
- b = Brace
- c = Intermediate layer
- d = Headlining

28 Glue cover strips (arrow 1) onto inside of soft top frame.



Glue the cover strips (arrow 1) on so that the edge seam is below the edge of the sheet metal.

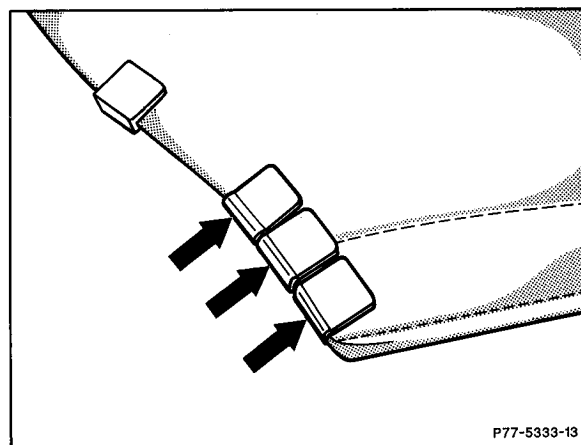
29 Glue cover strips (arrow 2) onto inside of soft top frame.



30 Fasten cover to outside of soft top frame with clips 124 589 02 37.

Installation note

Before completely gluing on the cover strips (arrow 2), check the position of the seam on the brace. For this purpose completely lock the soft top and check the position of the seam. It should then be at the center of the brace. Correct cover, if required.



31 Put soft top down into soft top compartment.

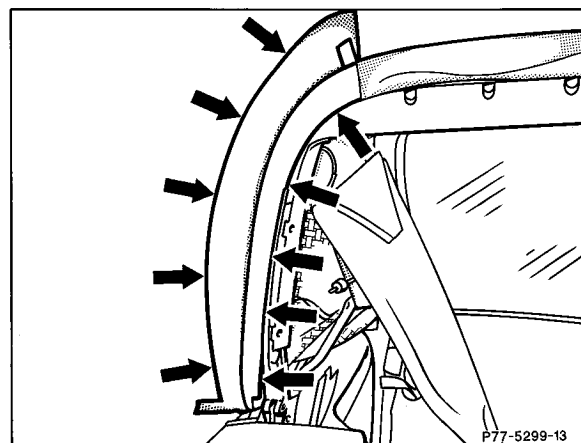
32 Press cover strip down and cut out with scissors.

33 Fasten cover over entire width of soft top frame with clips 124 589 02 37 00 (approx. 20 each).

34 Lock top at front, put up soft top bow and close soft top compartment cover.

35 Apply glue to cover strip and soft top bow (arrows).

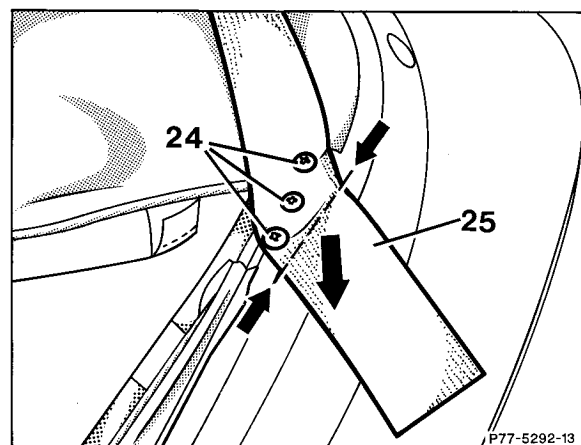
36 Lock soft top bow.



37 Fasten rubber strap (25) on soft top bow and cut off along marking.



Only tension the rubber strap so that the cover is smooth on the outside of the soft top bow. If the tension is too high the rubber strap can break.



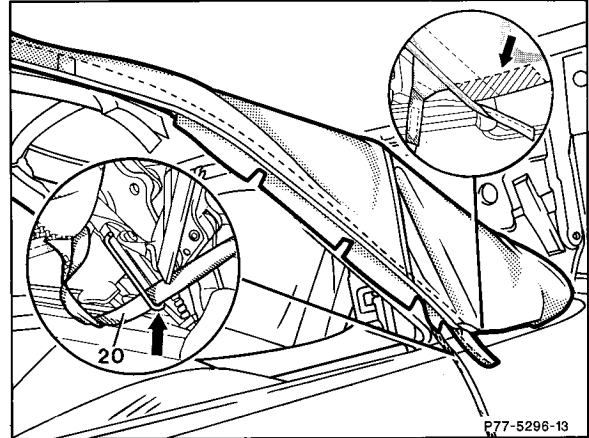
38 Open soft top at front, press soft top frame up, put up soft top bow, open soft top compartment cover and put soft top bow back down.

39 Attach cover to soft top bow at front and pull in Velcro strip (20).

40 Fold cover strip in and glue to soft top bow.

Note

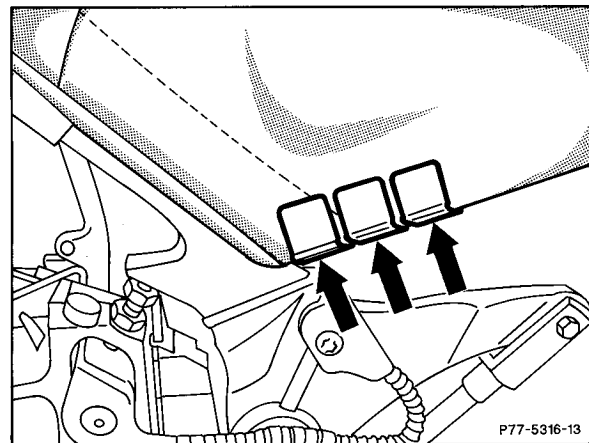
Glue only in shaded area.



41 Fasten cover with clips 124 589 02 37 00 (3 each).

42 Completely lock top.

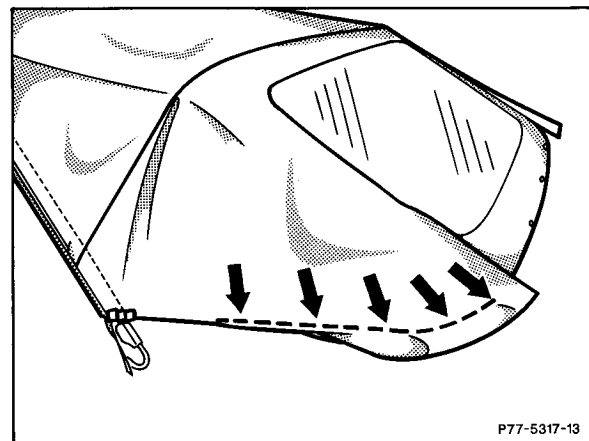
43 Position cover on side toward rear and downward on soft top bow without wrinkles (arrows) and mark with chalk along edge of soft top bow.



44 Unlock soft top bow.

45 Position cover on soft top bow along chalk mark and glue cover strip on inside.

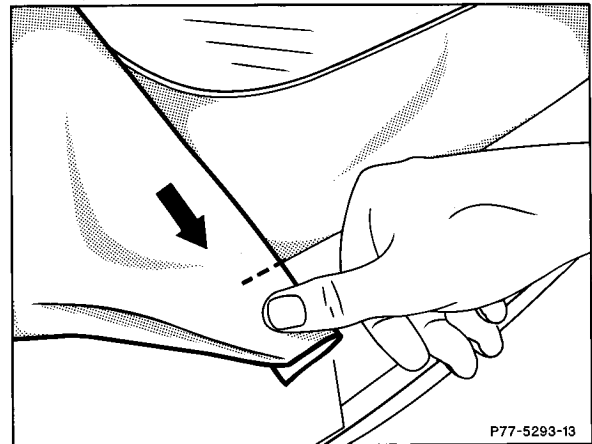
46 Lock soft top bow and check cover for wrinkles, correct, if required.



47 Lock soft top bow.

48 Pull rear of cover downward on soft top bow (arrow) and have second mechanic make chalk mark at edge of soft top bow.

49 Unlock soft top bow.

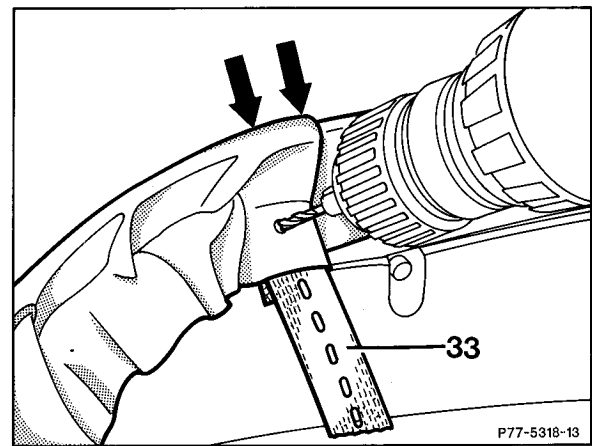


50 Pull out rubber strap (33), put up soft top bow, position cover strip with chalk mark on soft top bow (arrows, fold cover strip around and have second mechanic drill 2.5 mm dia. hole).

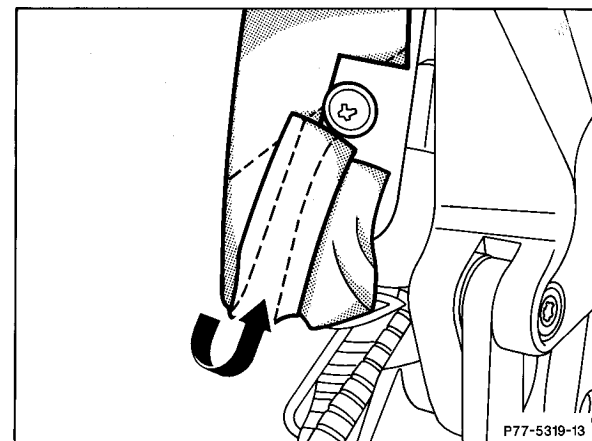


Only tension the rubber strap to the extent that the cover lays on the outside of the soft top bow without wrinkles. If the tension is too high the rubber strap can break.

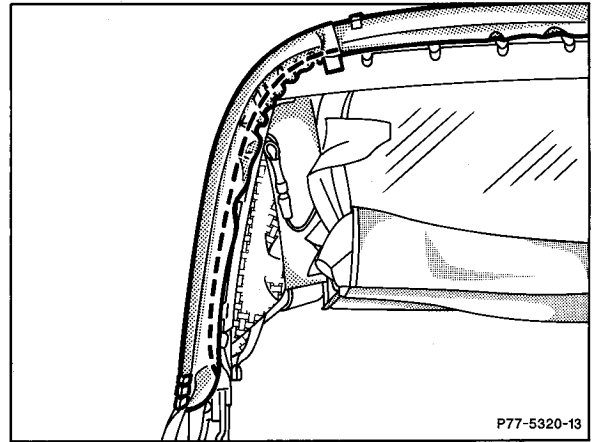
51 Screw in screw.



52 Glue cover strip onto front of soft top bow.

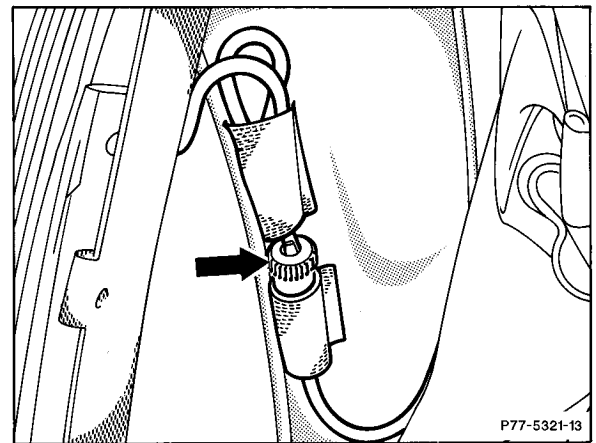


53 Press cover strip onto soft top bow and cut off with scissors.



54 Connect plug connection for heated window.

55 Put down soft top bow (do not lock).

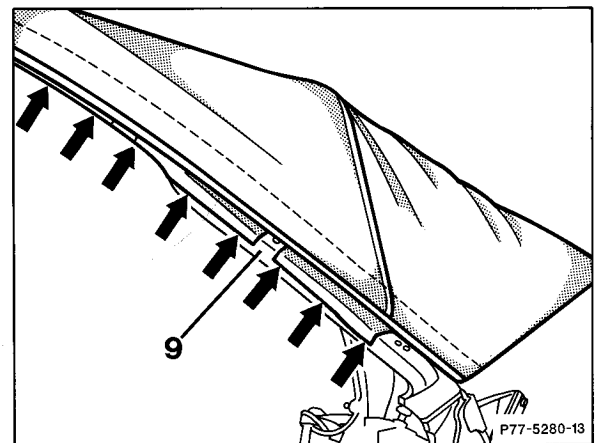


56 Glue cover strip onto main pillar (9).



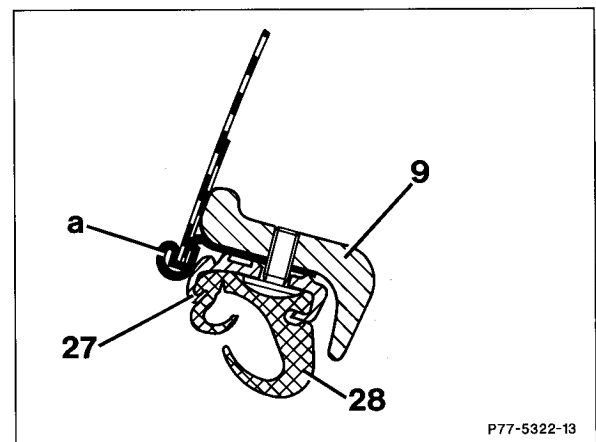
Glue the cover strip on so that the cover seam (item a) is below the edge of the main pillar (9).

57 Cut off cover strip in corner of main pillar.



Position of seam on main pillar

- a = Seam
- 9 = Main pillar
- 27 = Rail
- 28 = Gasket

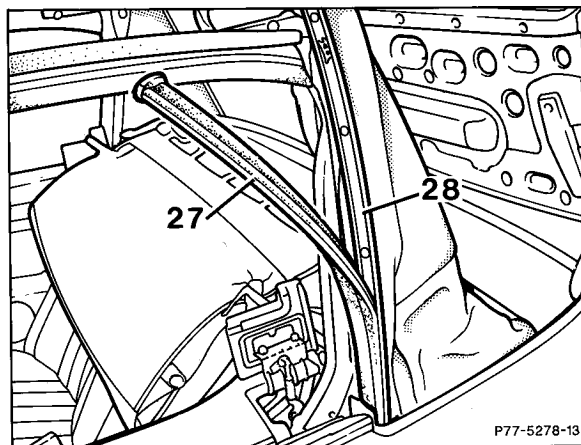


58 Install rail (28) and press in gasket (27).

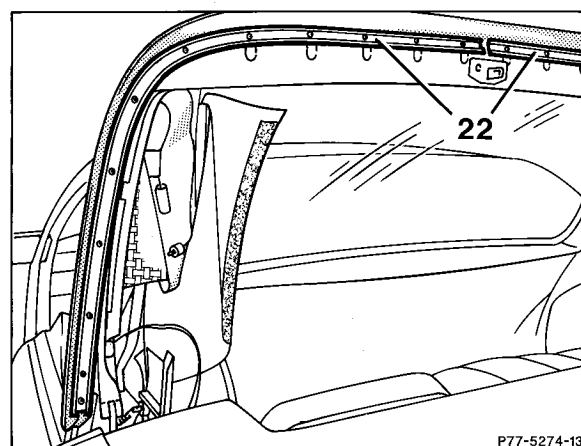
Note

Replace glued-on sealing profiles if damaged.

59 Put up soft top bow.

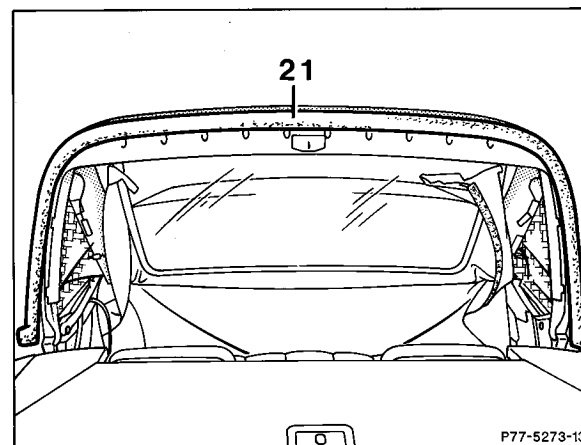


60 Install rail (22).

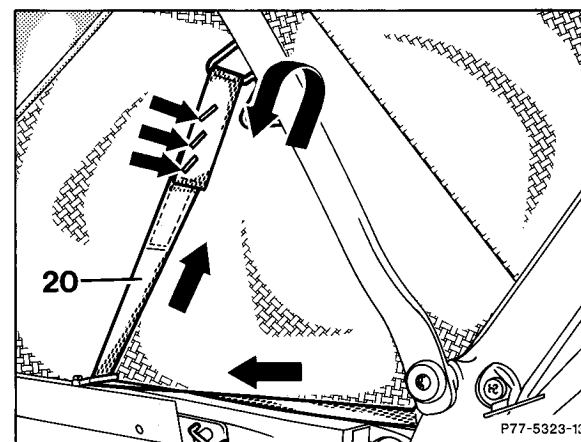


61 Install gasket (21).

62 Completely lock soft top.



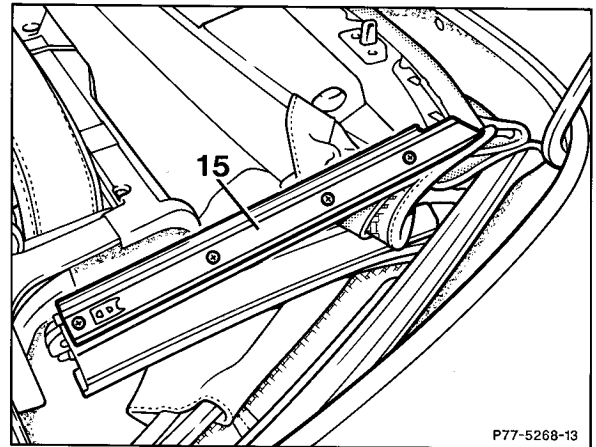
63 Thread Velcro strip (20) through on soft top bow and corner brace (direction of arrow), tension, stick together and secure with clips 129 988 26 78 (3 each).



64 Install rail (15).

Note

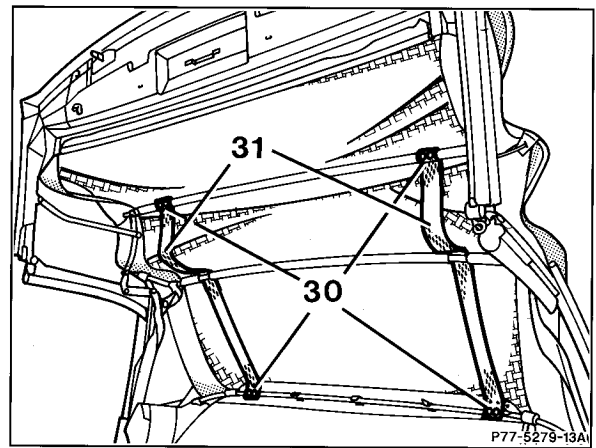
Fasten rail (13) with 2 screws only because it is necessary to remove it again after gluing on the cover strips (29, item 65). This is necessary because the protruding backing strip (38) on the rail (14, item 85) first has to be glued to the soft top frame.



65 Glue cover strips (29) onto braces and soft top frame.

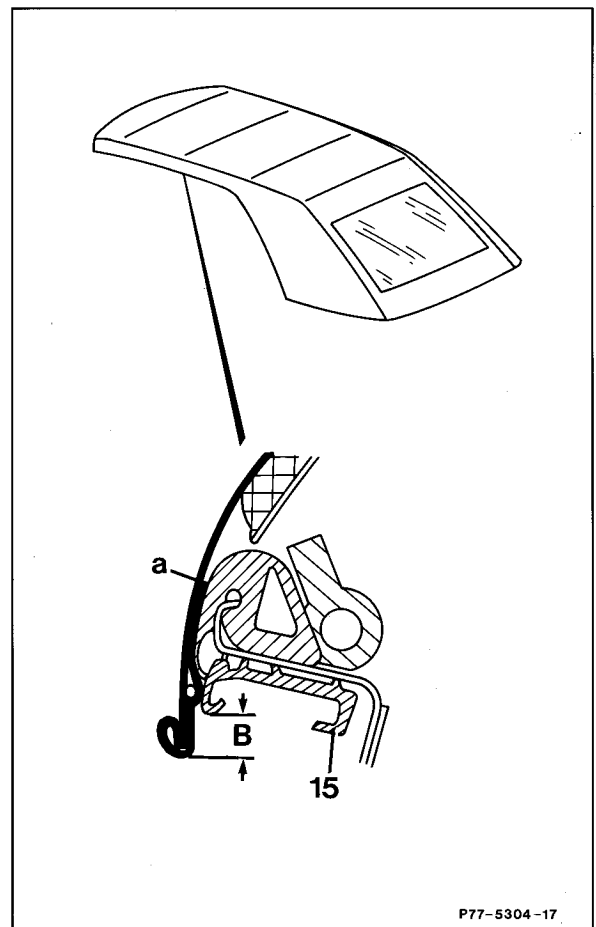


Before gluing on the cover strips (29) check dimension "B" from the rail (15) to the edge seam of the cover. The window should not rub against the edge seam when the door is opened or closed (danger of damage)! Correct cover, if required.



Installation note

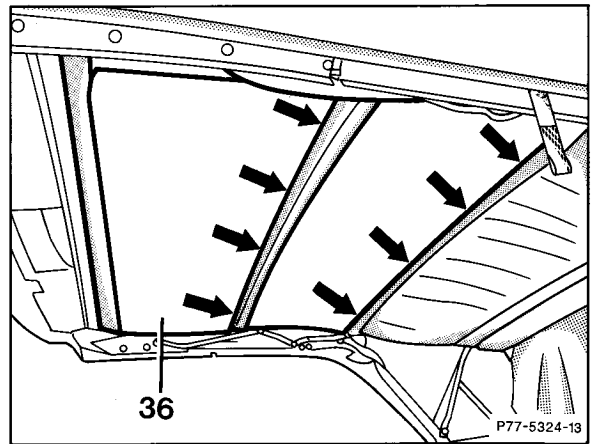
Dimension "B" can be corrected slightly by hitting against the cover with the palm of your hand.



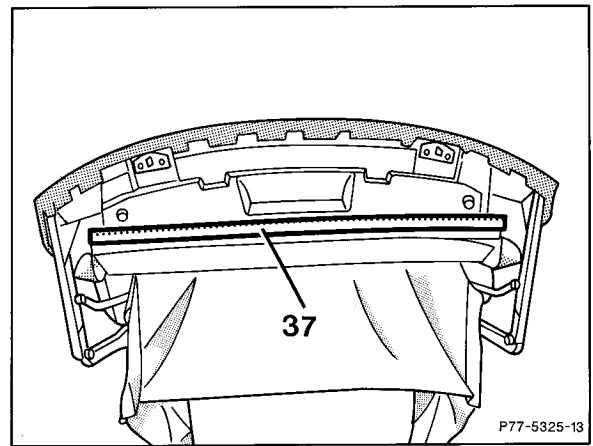
Dimension "B" = 10⁻² mm
a = Cover
15 = Rail

Handwritten note: 77.0767-308/19

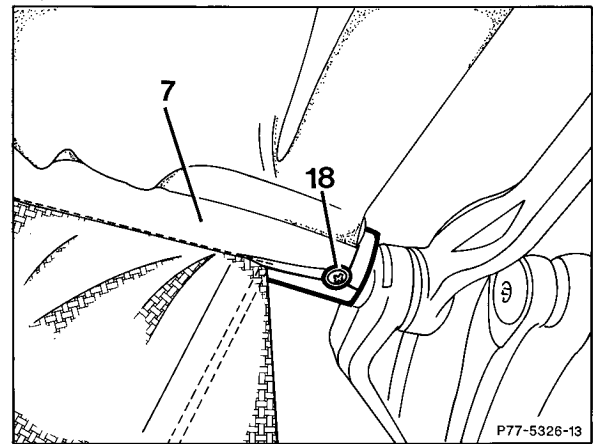
66 Apply glue to braces, hook intermediate layer (36) onto soft top frame and glue onto braces (arrows). Press hooks on attachment strip together slightly.



67 Glue foam rubber strips (37, 2 each) on top of one another at front of attachment strip.



68 Press rail (7) onto braces, screw in screw (18) and hook headlining onto soft top frame. Press hooks on attachment strip together slightly.



Installation note

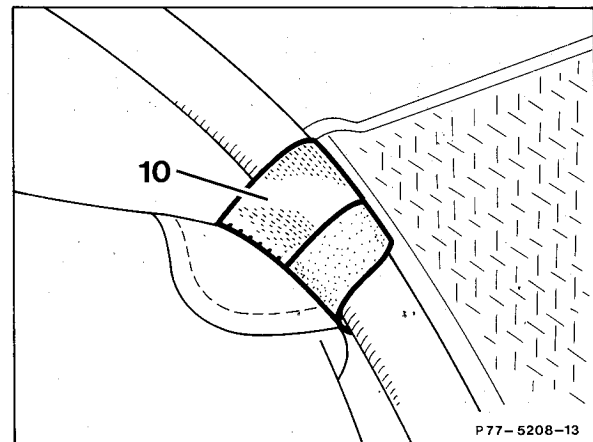
Press rails on starting at end of braces.

69 Move soft top to vertical position.

70 Fasten Velcro strip (10) onto corner brace.



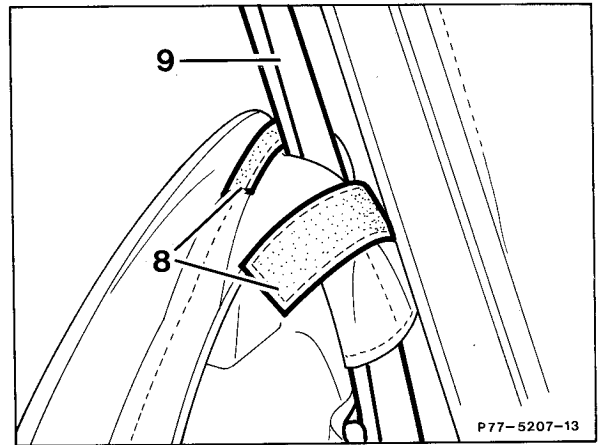
Fasten the Velcro strip as tightly as possible.



71 Fasten Velcro strip (8) to main pillar (9).



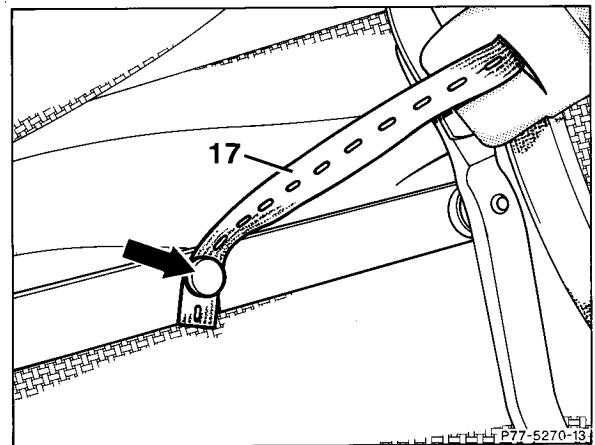
Fasten the Velcro strip so that the two strips are positioned exactly on top of one another.



72 Install rubber strap (17).



Fasten the rubber strap in the second hole (arrow). If a new clip is used, the protruding end of the clip must be cut off on the inside of the guide arm (to prevent damage to headlining).

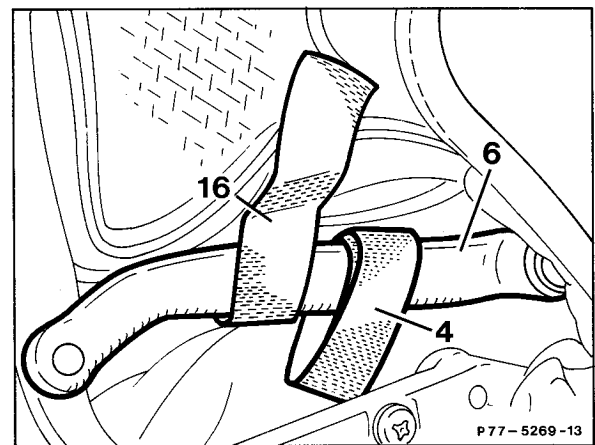


73 Fasten Velcro strip (4, 16) to guide arm (6).



Fasten Velcro strip (4) together so that the space of approx. 15 mm is present between the guide arm (6) and Velcro strip (4). Stick Velcro strip (16) together on fastening seam for cover.

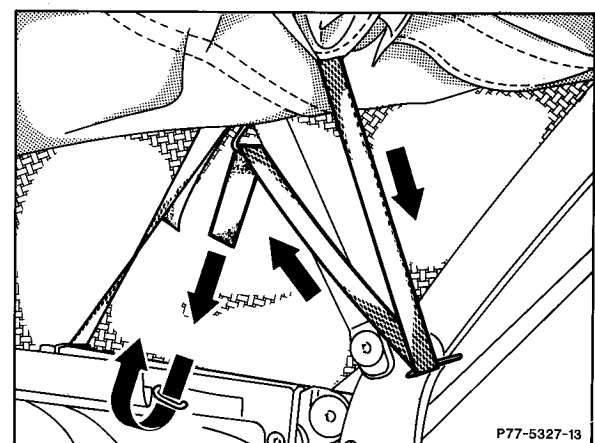
74 Completely lock soft top.



75 Thread Velcro strip (13) through on soft top bow and corner brace (direction of arrow), tension, stick together and secure with clips 129 988 26 78 (3 each).



Tension the Velcro strip (13) so that the fastening seam on the headlining is no longer visible.

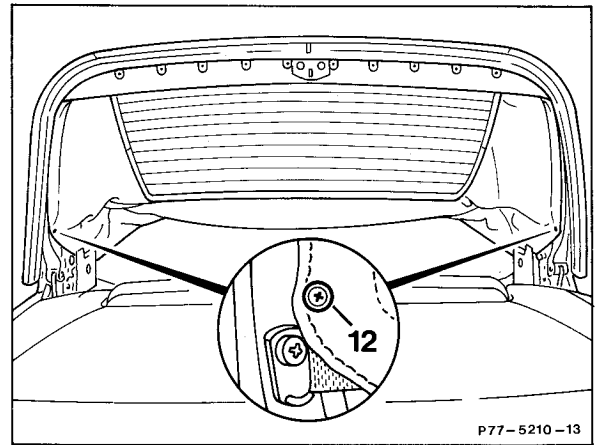


76 Stick headlining onto soft top bow at side.



When installing ensure that the gap between the headlining and soft top compartment cover is uniform.

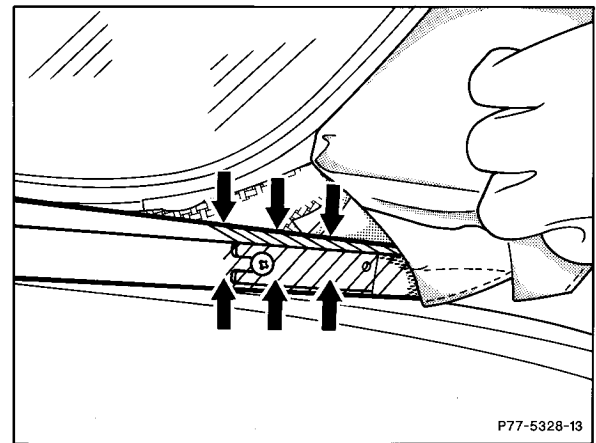
77 Screw in screw (12).



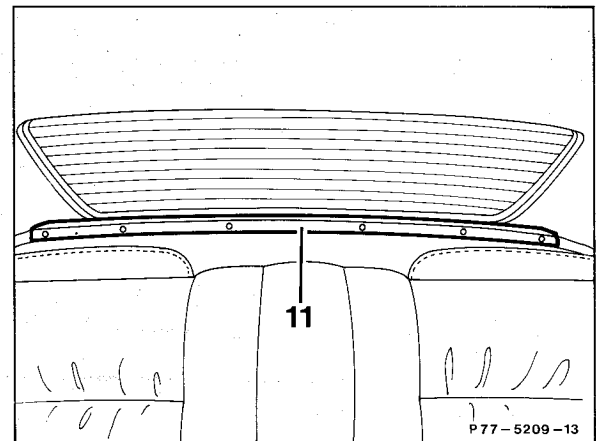
78 Apply glue to soft top bow (arrows) and glue on headlining.



Glue headlining on so that wrinkles do not form when the soft top bow is locked after installation of the cover (11).

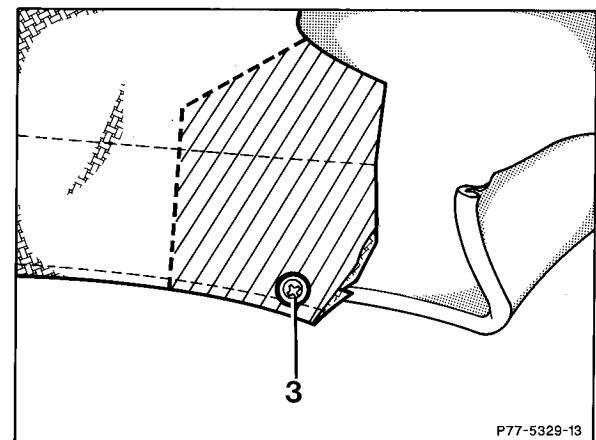


79 Install cover (11).

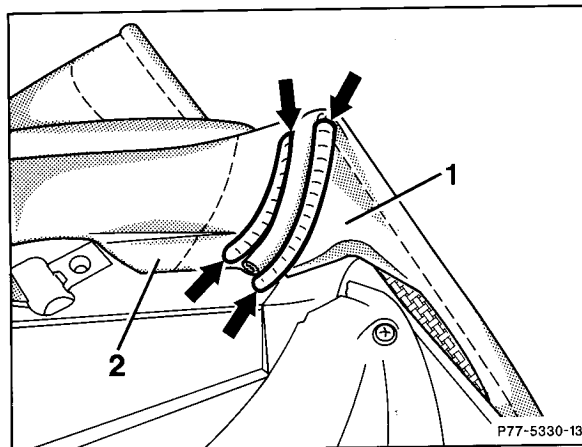


80 Glue headlining onto soft top frame with slight tension and screw in screw (3).

81 Fold soft top down into soft top compartment.



82 Press MB sealing cord 001 987 56 46 (arrows) onto cover strips (1, 2).

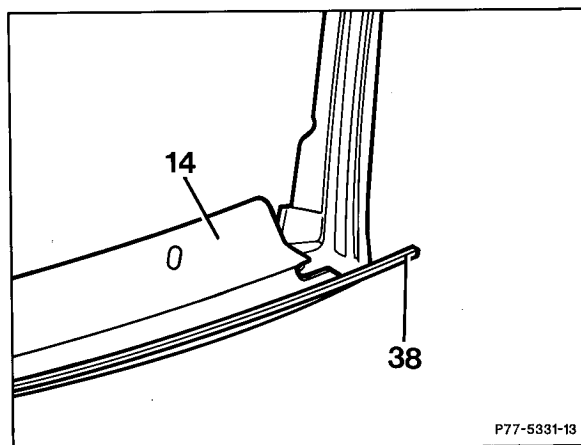


83 Replace bottom strip (38) 001 987 70 46 on rail (14).

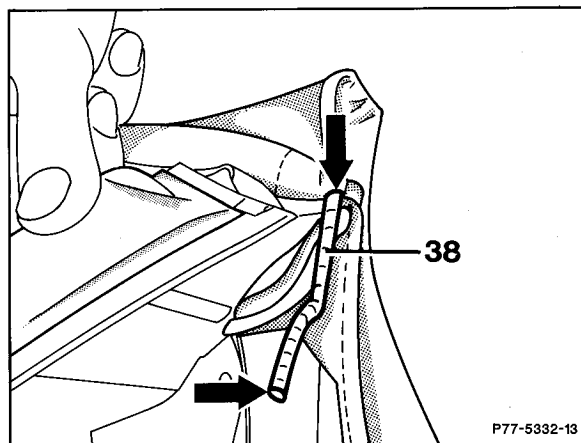


Allow the bottom strip (38) to protrude approx. 60 mm.

84 Position rail (14) with markings on soft top frame and install.



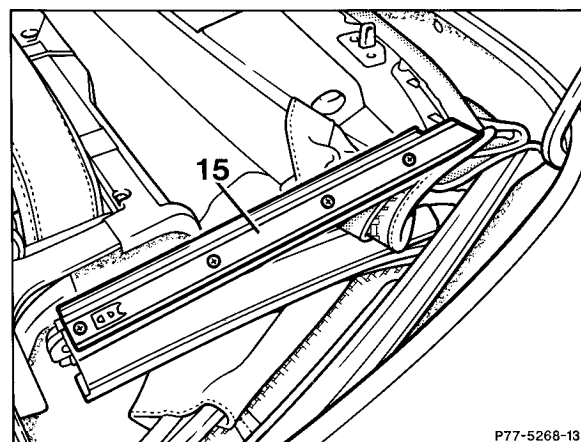
85 Glue protruding bottom strip (38) onto soft top frame folded inward (arrow).



86 Install rail (15) on side of soft top and press in gasket.



Replace glued-on sealing profiles if damaged.



87 Install cover (2) and recessed handle (1).

88 Check soft top motion and adjust soft top, if required (77-310).

89 Perform rain test.

