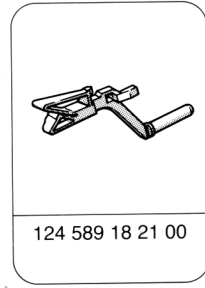
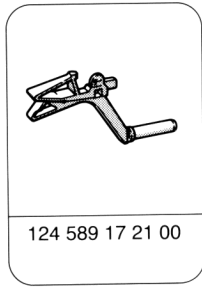


77-170 Removal and installation of angular lifting arm on tilting/sliding sun roof

Special tools



Removal

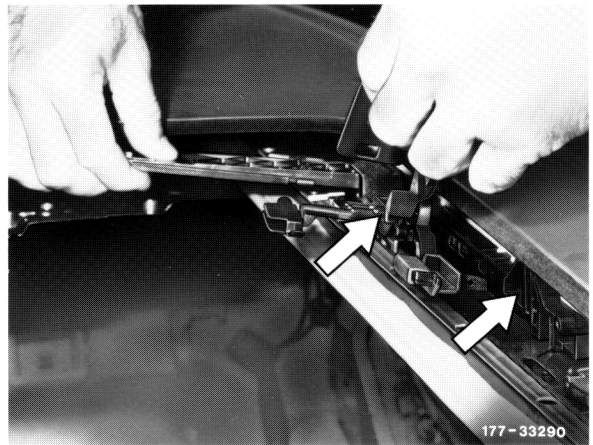
- 1 Remove tilting/sliding sun roof top panel (77-100).
- 2 Unscrew control cable from sliding carrier.
- 3 Remove fastening angle bracket for tilting/sliding sun roof top panel from lateral guide (guide block) in upward direction and remove water gutter.
- 4 Unscrew sliding carrier and remove.



5 Slide angular lifting arm up to stop in forward direction, tilt upwards and remove at an angle in inward direction.

Note

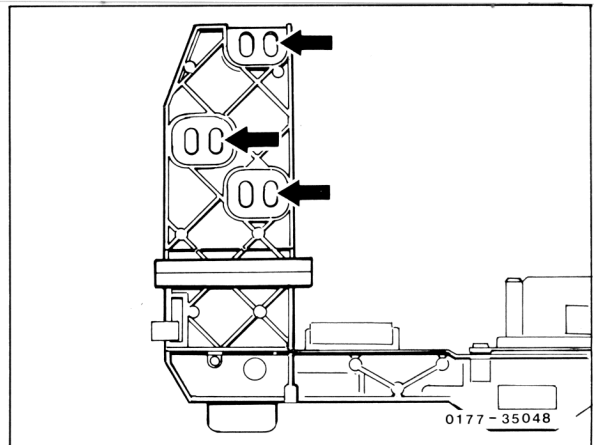
On model 124 coupe, prior to removing angular lifting arm, unscrew lateral guide (guide block) from tilting/sliding sun roof frame (lower arrow).



Installation

Assembly note

On model 124 coupe, the angular lifting arms must be fastened at holes identified by an arrow.



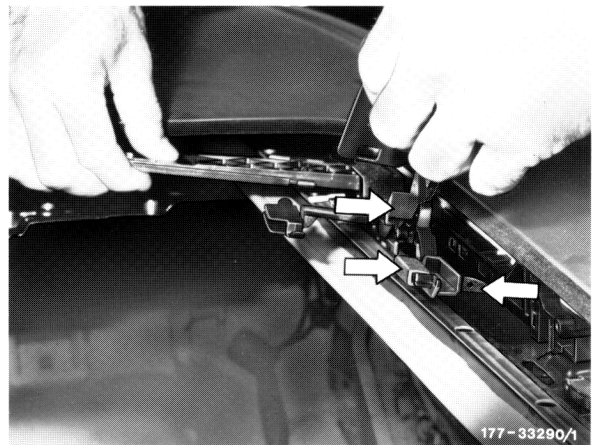
6 Grease angular lifting arm prior to installation with MB lubricating paste, part no. 001 989 14 51, on sliding shoes and on moving parts.

Note: During installation, pay attention to correct seating of sliding shoes (arrows).

7 Install angular lifting arm.

8 Install sliding carrier, at the same time push angular lifting arm slightly in outward direction by means of a screwdriver and tighten.

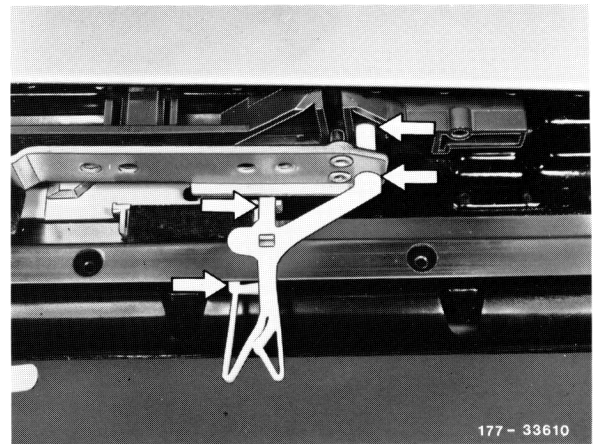
9 Install water gutter.



10 Perform basic adjustment on angular lifting arm mechanism. For this purpose, plug adjusting gauges, part no. 124 589 17 21 00 left and 124 589 18 21 00 right into guide block (lateral guide) and groove in angular lifting arm.

Shown with tilting/sliding sun roof holding angle bracket screwed off

11 Install tilting/sliding sun roof top panel (77-100).



Note

Pull off adjusting gauges only following installation of tilting/sliding sun roof top panel.

12 Screw control cable to sliding carrier.

13 Actuate tilting/sliding sun roof cover several times in all positions.

14 Check mark on holder of tilting/sliding sun roof headlining in relation to mark on slide rail.

Note: If the mark is outside notches on slide rail, readjust control cable (77-140).

15 For further installation proceed in reverse order.

