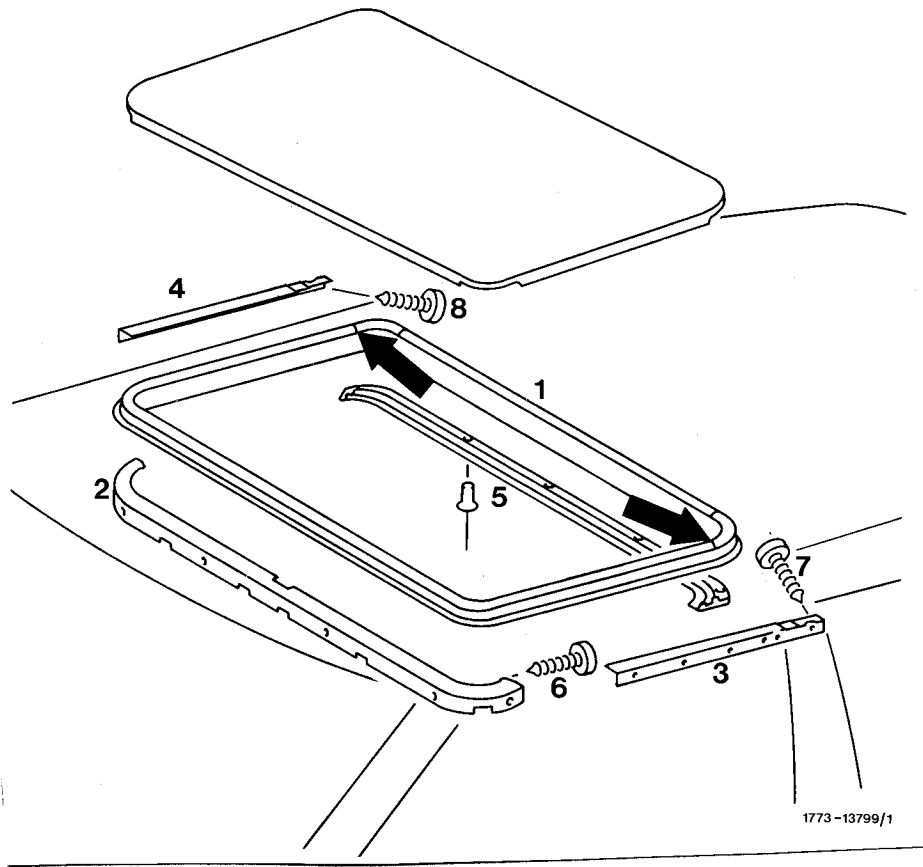


77-130 Removal and installation of gasket and holding rails on sun roof opening



1773-13799/1

Sun roof	open, do not remove
Installation position of gasket	mark on roof cutout at joins (arrows)
Gasket (1)	pull out of holding rails 2, 3, 4 and 5
Wind deflector	remove and install (77-250)
Screw (6)	unscrew 6 ea., screw in
Holding rail (2)	remove and install (refer to installation note)
Screw (7) and (8)	unscrew 8 ea., screw in
Holding rails (3) and (4)	push toward the rear and remove in upward direction

Holding rail (5)	can be removed and installed only upon removal of sun roof frame and drilling out of rivets (11 each)
Gasket (9)	push into holding rails 2, 3, 4 and 5. The serrations on plug-in profile should point in upward direction.

Installation note

To make sure that the gasket (1) obtains an adequate hold in holding rails 2, 3 and 4, a gap dimension of 3 mm between holding rail and roof panelling should be maintained.