

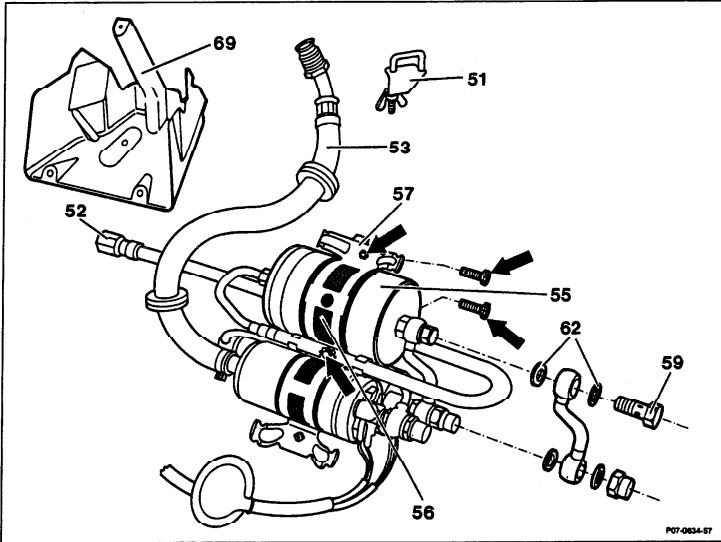
Replacing fuel filter

0780.4

Engine 104 119 120
with LH-SFI

⚠ WARNING!

Apply parking brake before performing any work with engine running.
Place transmission selector lever in Park position.



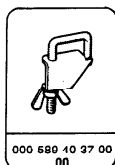
Shown on Model 140.

 **WARNING!**

Observe fuel system safety precautions.

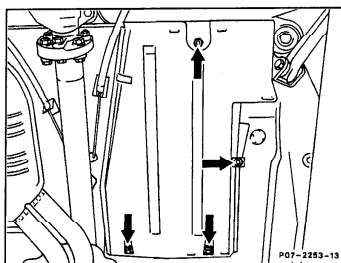
- Remove fuel filler cap briefly to release any residual pressure.
- Disconnect battery ground cable.
- Remove protective cover (69) by removing screws.
- Clamp off fuel hoses (53, 52) from fuel filter (55).
- Remove hollow screw (59) from fuel filter (55). Replace sealing rings (62). Catch fuel in suitable container.
- Disconnect fuel pressure hose (52) from fuel filter. Counterhold threaded fitting.
- Loosen screws (arrows) from holder. On model 140, also unhook fuel hose (52).
- Loosen clamping screw (arrow) and remove fuel filter towards rear.
- Install new fuel filter with plastic sleeve (56) so that sleeve extends on both sides of holder (57) since contact corrosion may occur if there is direct contact with the holder.
- Run engine briefly to check connections for leakage.
- Reinstall protective cover.

Special tools

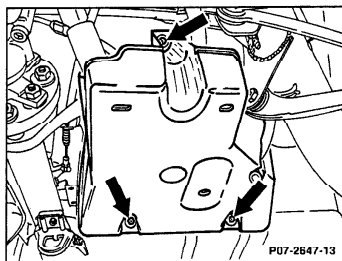


- 1 Configuration of protective covers.

Model 124



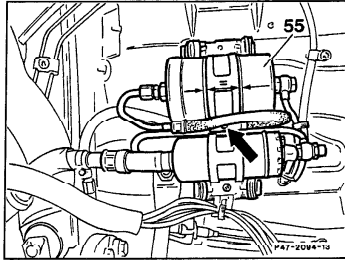
Model 140



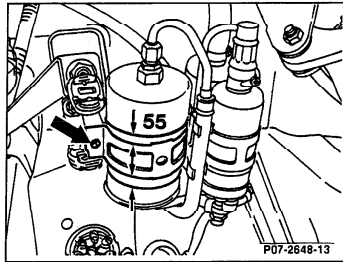
0780.4

Replacing fuel filter

2 Layout of fuel filter (65) and pump.



Model 124



Model 140