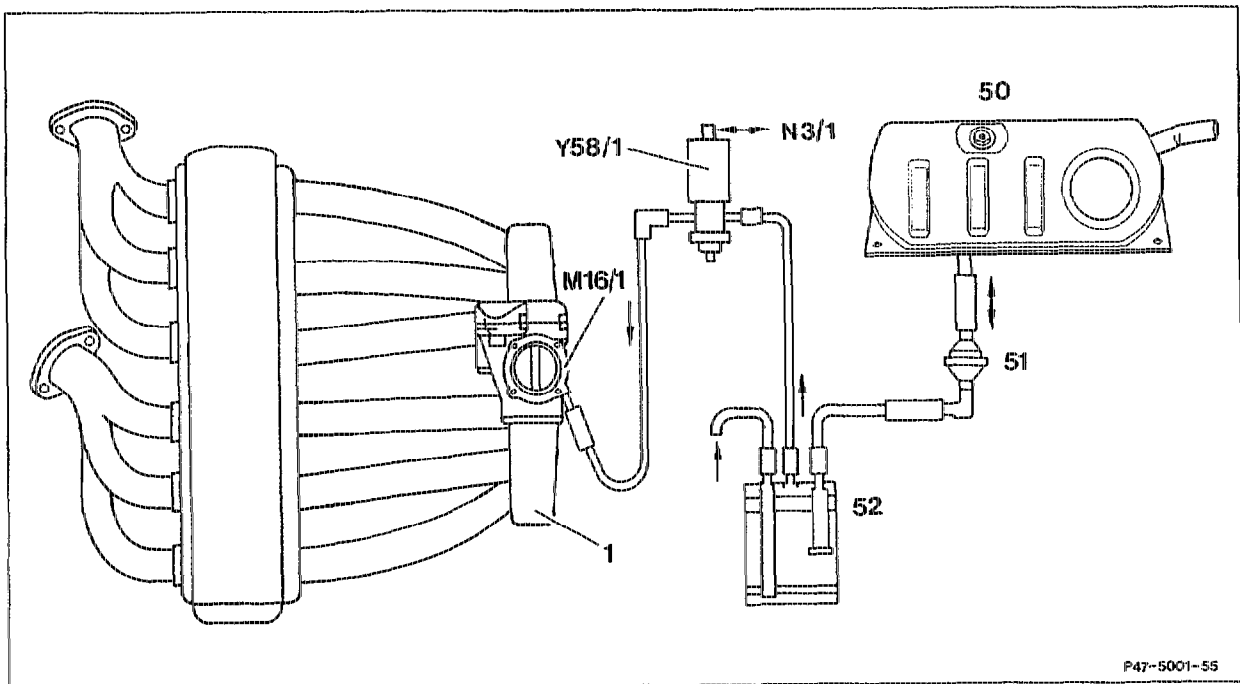


47-0200 Fuel evaporation control system

A. Function diagram

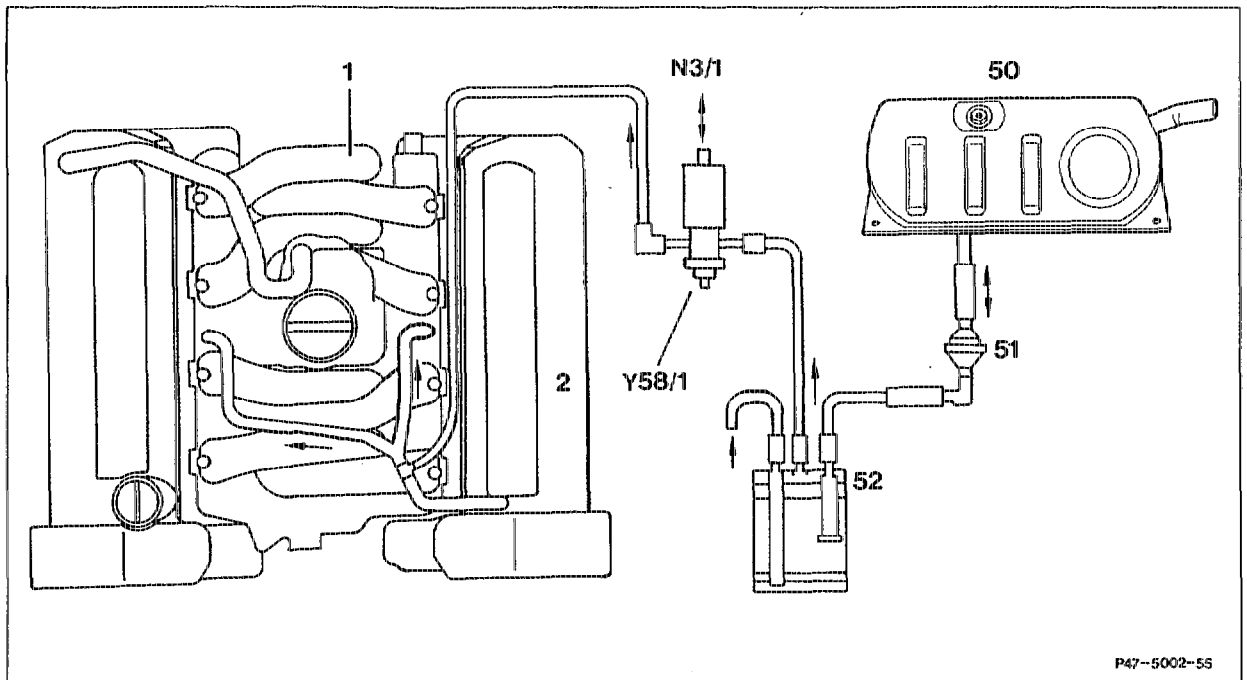
a) Engine 104



1 Intake manifold
50 Fuel tank
51 Vent valve
52 Activated charcoal filter

M16/1 Electronic accelerator pedal (EFP) actuator
N3/1 LH control unit
Y58/1 Regeneration switchover valve

b) Engine 119

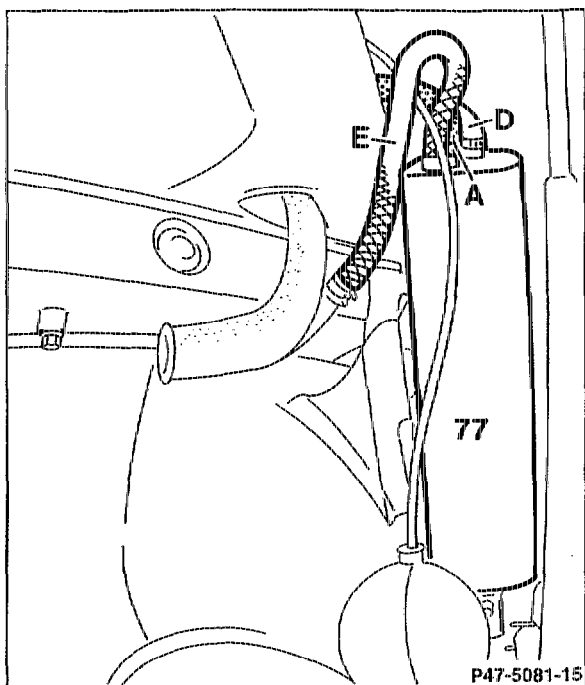


P47-5002-55

- 1 Intake manifold
- 2 Left cylinder head
- 50 Fuel tank
- 51 Vent valve
- 52 Activated charcoal filter

- N3/1 LH control unit
- Y58/1 Regeneration switchover valve

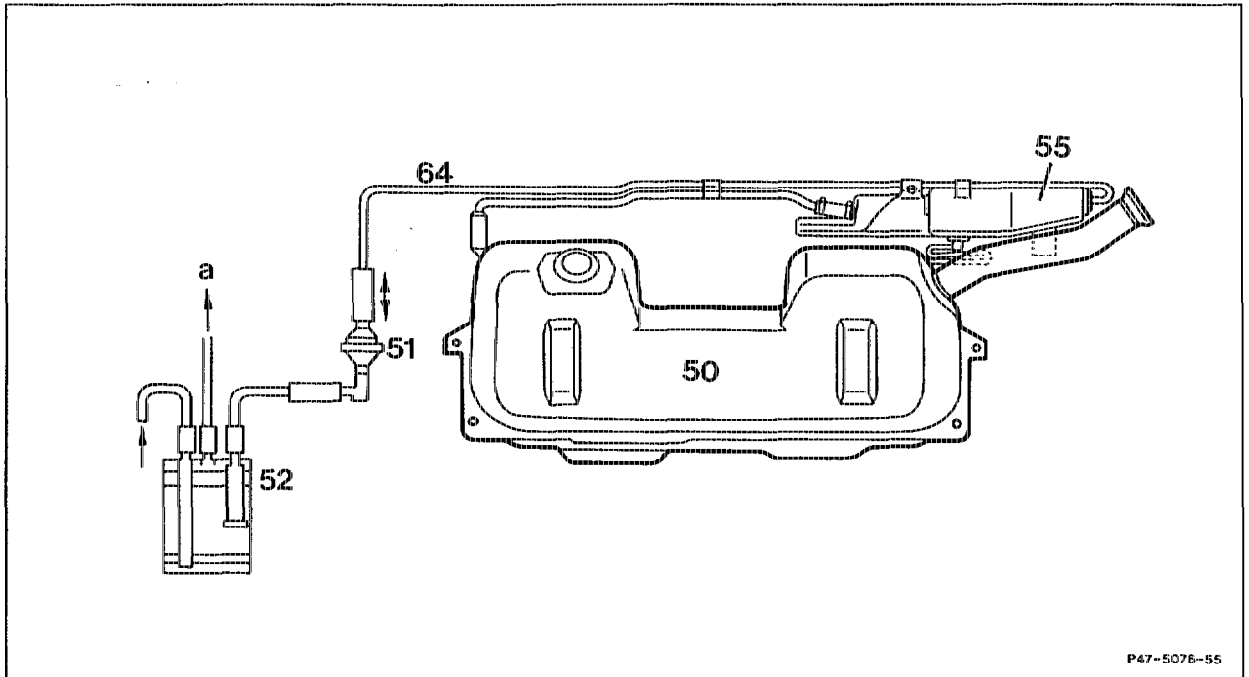
c) Engine 120



- 50 Fuel tank
- 51 Vent valve
- 52 Activated charcoal filter
- M16/3 Right electronic accelerator pedal actuator
- M16/4 Left electronic accelerator pedal actuator

- N3/2 Left LH control unit
- N3/3 Right LH control unit
- Y58/2 Left regeneration switchover valve
- Y58/3 Right regeneration switchover valve

d) Vehicles with through-loading facility



- 50 Fuel tank
- 51 Vent valve
- 52 Activated charcoal filter
- 55 Expansion tank
- 64 Vent line

a To regeneration valve (see section a, c)

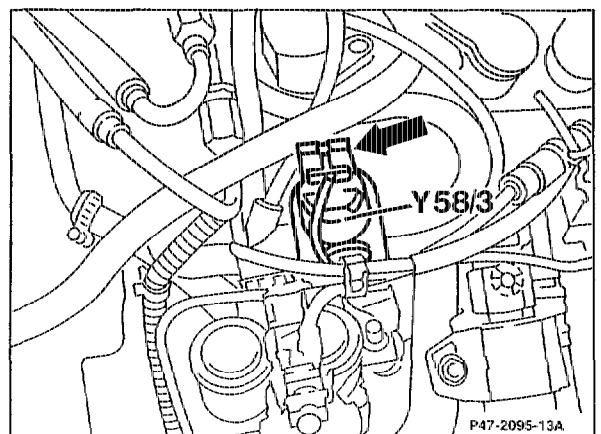
B. Function

Regeneration takes place provided the following conditions exist:

- coolant temperature $> 70\text{ }^{\circ}\text{C}$
- > 2 minutes after starting engine
- engine not in deceleration mode.

A fuel evaporation control system is installed so that fuel vapours pass to atmosphere. The fuel vapours stored in the activated charcoal filter are drawn off at coolant temperatures $> 70\text{ }^{\circ}\text{C}$ through the regeneration switchover valve (Y58/1, engine 120 Y58/2 and Y58/3) and combusted in the engine (not in deceleration mode).

- Y58/3 Right regeneration switchover valve
- Arrow Regeneration switchover valve coupling



To control the quantity regenerated, the regeneration switchover valve is actuated (pulsed) with a frequency of 7¹/₂ Hz by the LH control unit (N3/1, engine 120 N3/2 and N3/3). The regeneration quantity is determined by the constant opening and closing of the switchover valve in on and off times of various length. The cross section in the switchover valve is altered as a function of the intake manifold vacuum by the diaphragm-guided valve needle. Testing fuel evaporation control system, see Diagnosis Manual Engine, Volume 2 LH Gasoline Injection System.

Regeneration switchover valve (Y58/1, engine 120 Y58/2 and Y58/3), deenergized closed. Valve plate opened.

- 6 Valve plate
- 7 Valve needle
- 8 Diaphragm
- Y58/1 Regeneration switchover valve (engine 104)
- Y58/2 Left regeneration switchover valve
- Y58/3 Right regeneration switchover valve

