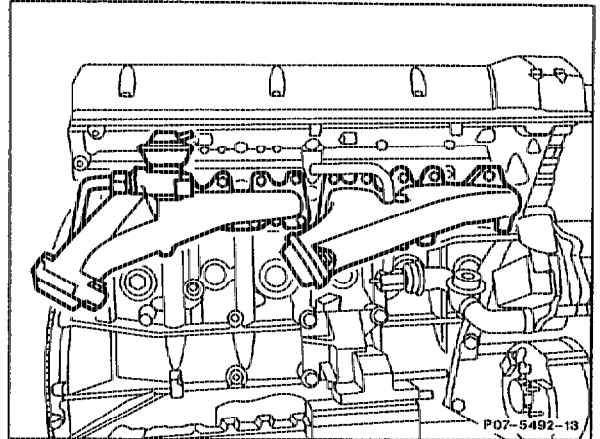


## 14-0020 Exhaust manifold

---

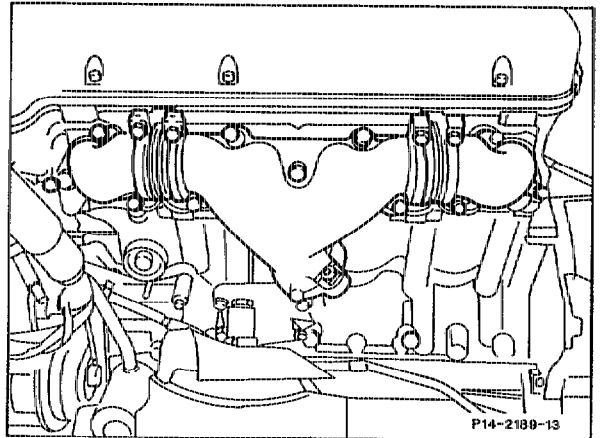
### A. Engine 104

Exhaust gas recirculation valve only on national versions **J** and **(USA)**.

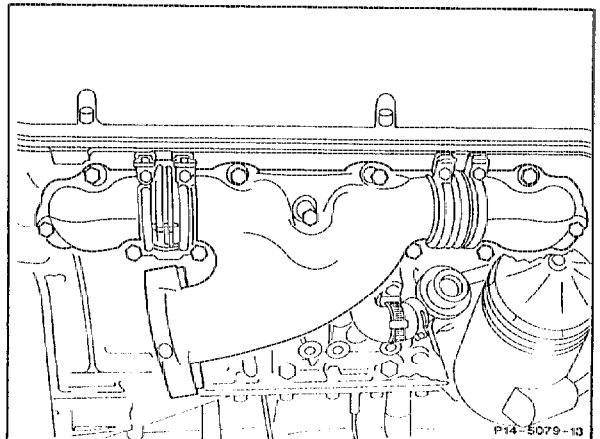


### B. Engine 119

Exhaust gas recirculation, see 14-0030, section "C".



left



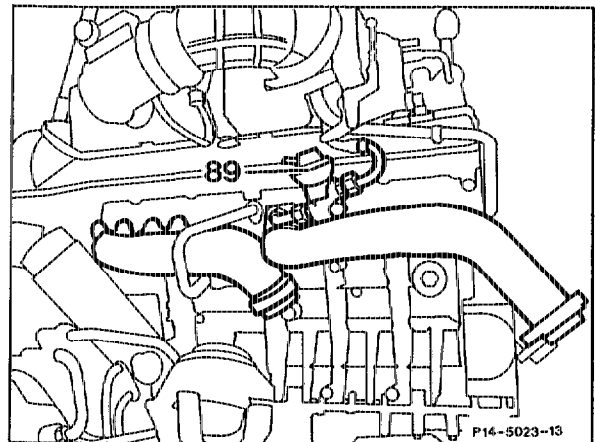
right

## C. Engine 120

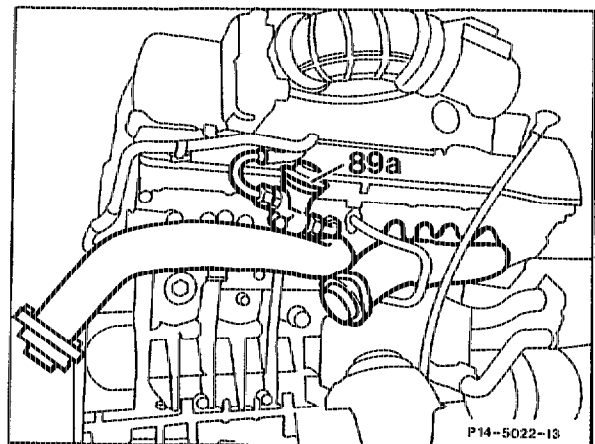
Three outlet openings each are combined by an exhaust manifold.

The exhaust manifolds are designed as double pipes (sheet steel) with insulation between the outer and inner pipe.

left



right



An exhaust duct (arrow) for drawing off gases for exhaust gas recirculation is provided in each flange at the exhaust opening for cylinders 4 and 10.

