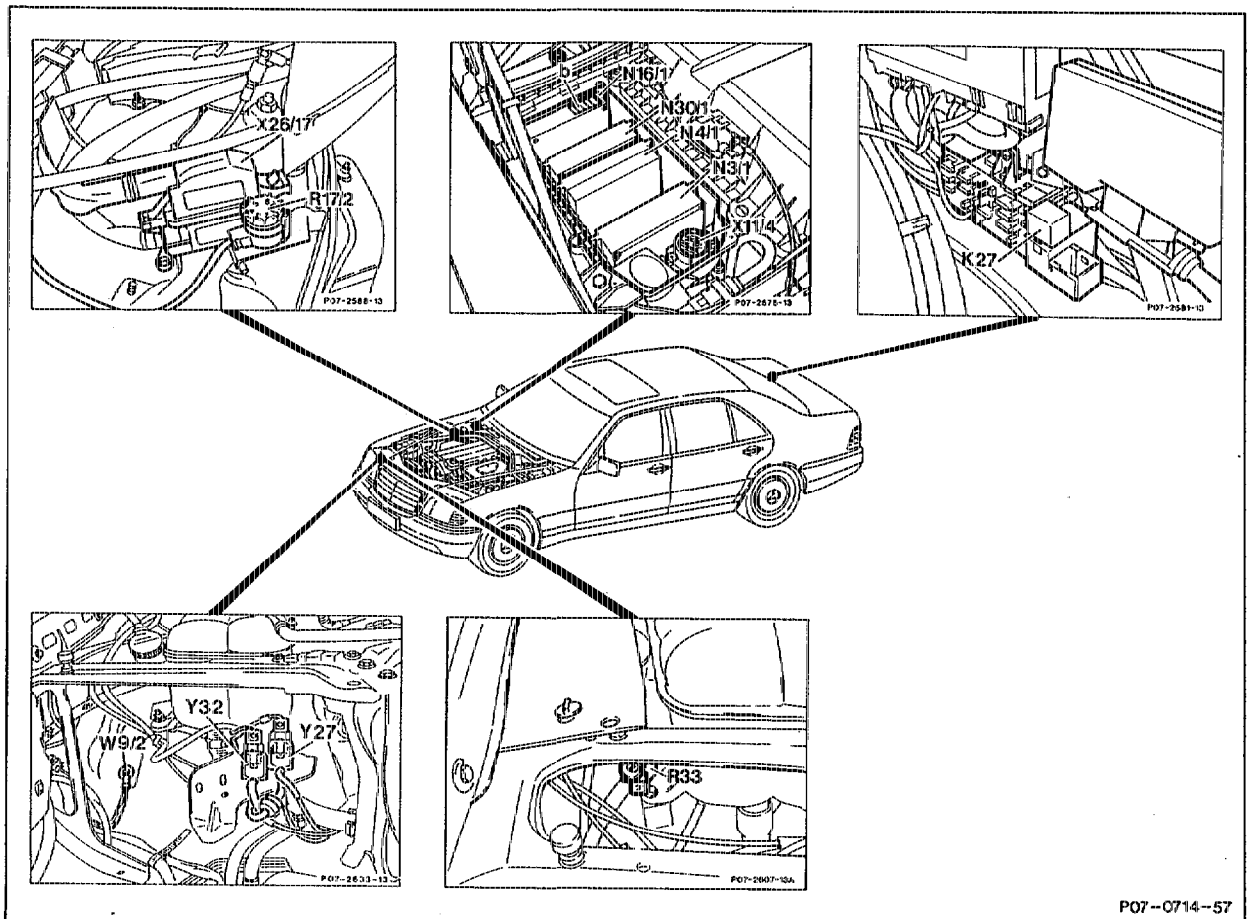


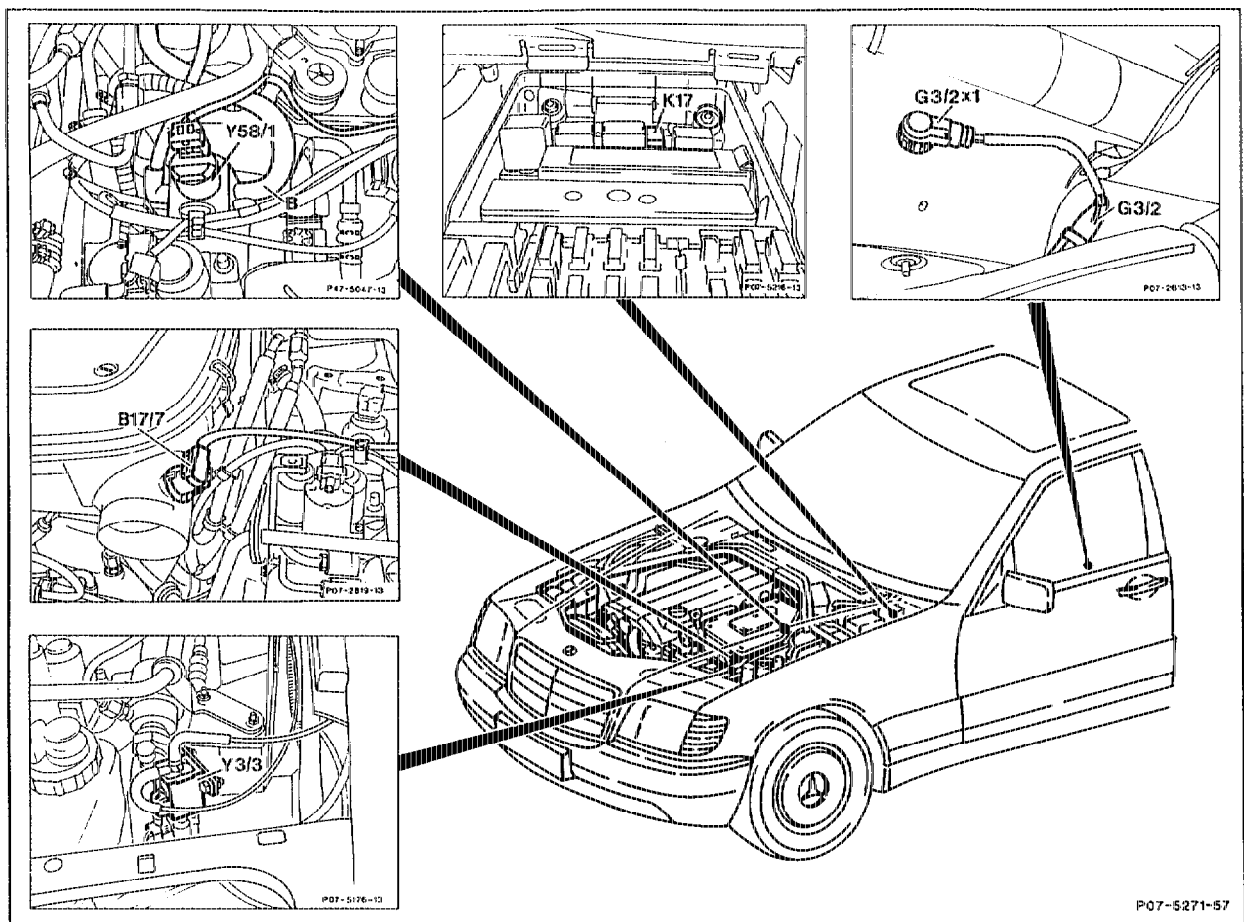
## 07.4-0015 Location of components

### A. Engine 104



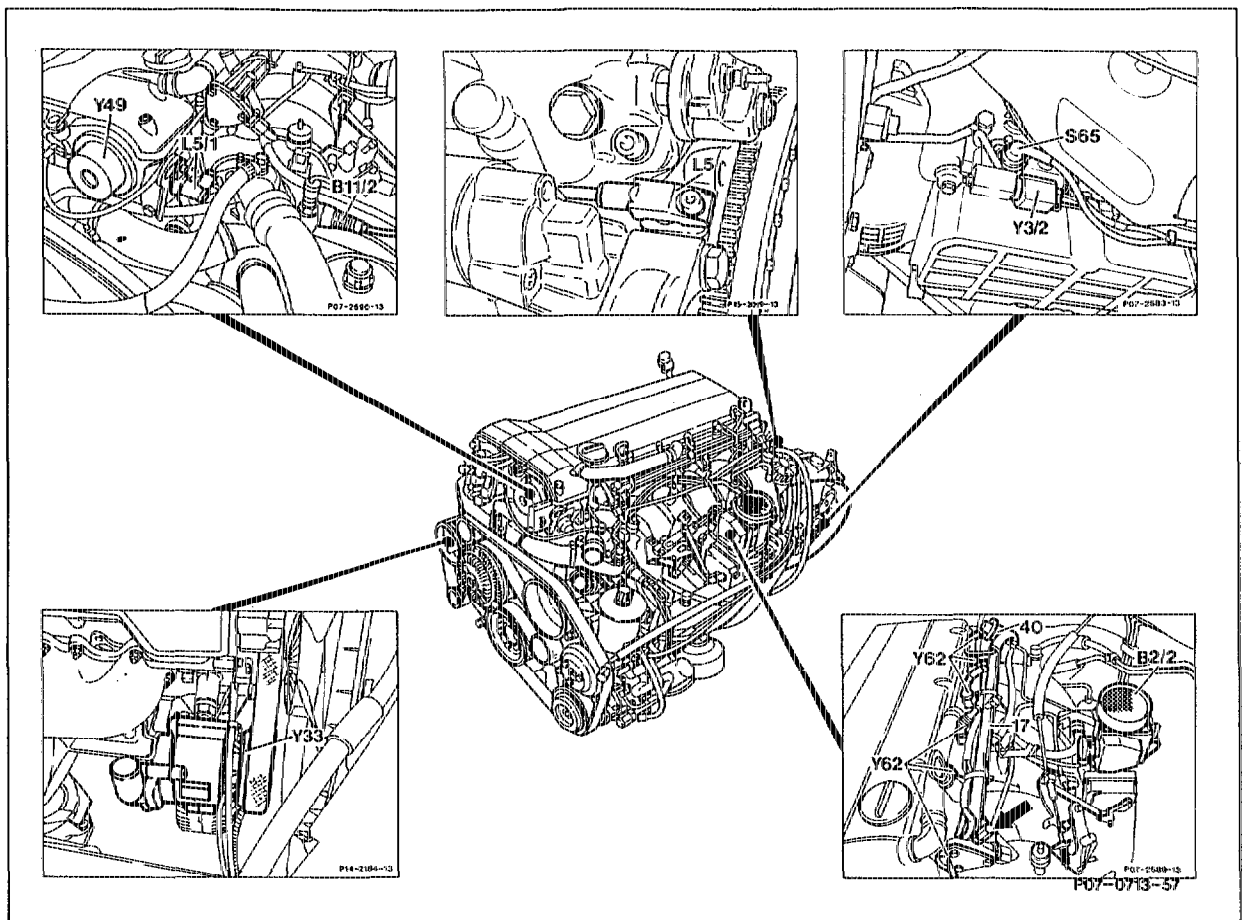
#### Components in engine compartment

K27	Fuel pump relay	W9/2	Ground, front right (at headlamp unit, ignition coil)
N3/1	LH control unit	X11/4	Test coupling for diagnosis, pulse signal (38-pin)
N4/1	Electronic accelerator pedal (EFP) control unit	X26/17	Plug connection, engine separation point (36-pin)
N16/1	Base module (GM)	Y27	ARF switchover valve
N30/1	ABS/ASR control unit	Y32	Air pump switchover valve 1)
R17/2	LH resistance trimming plug 3)		
R33	CO potentiometer, additive performance map adjustment (AKV) 2)	1)	Only on vehicles with KAT
		2)	Only on vehicles without KAT
		3)	Except (USA)



### Components in engine compartment

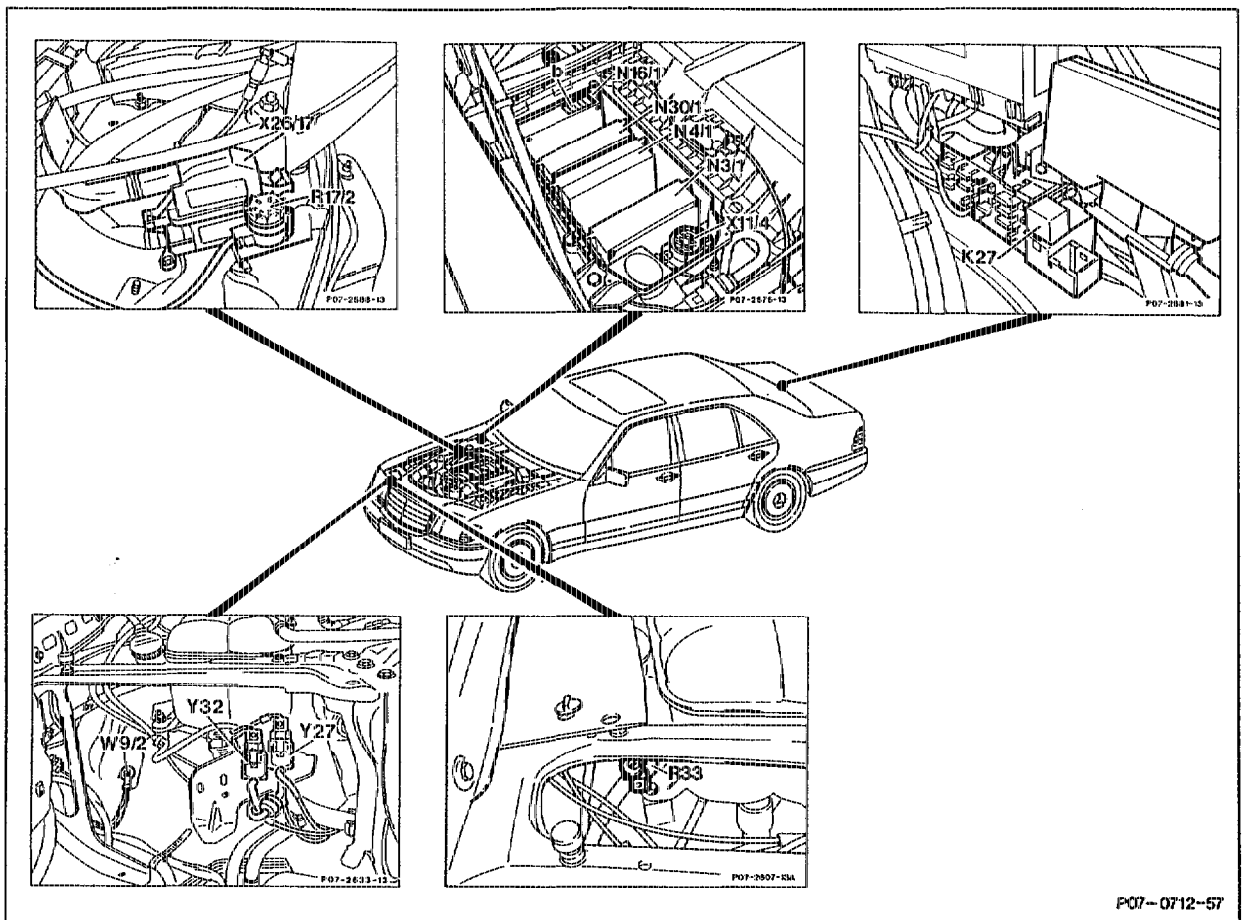
B17/7	Hot wire intake air temperature sensor	Y3/3	Shift point retard switchover valve
G3/2	Heated oxygen sensor 1)	Y58/1	Regeneration switchover valve
G3/2x1	Plug connection, oxygen sensor heating coil (4-pin) 1)	B	Line to activated charcoal filter
K17	Air injection relay 1)	1)	Only on vehicles with KAT



### Components on engine

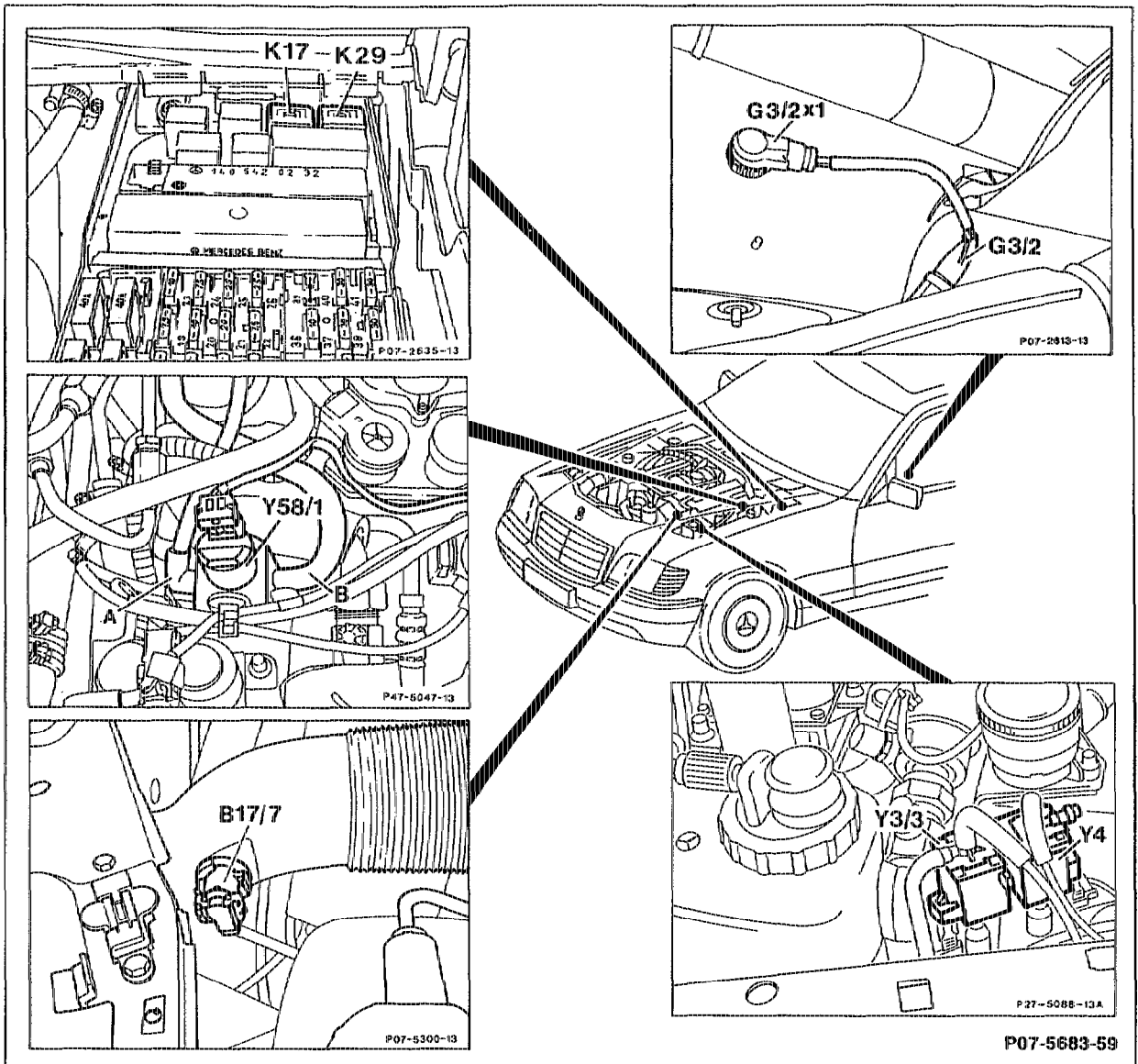
40	Diaphragm pressure regulator	Y3/2	Shift point retard solenoid valve
B2/2	Air mass sensor with hot wire	Y33	Air pump electromagnetic clutch <sup>1)</sup>
B11/2	Coolant temperature sensor	Y49	Camshaft timing actuator
L5	Crankshaft position sensor	Y62	Fuel injection valves
L5/1	Camshaft position sensor		
S65	Transmission overload protection switch	1)	Only on vehicles with KAT

## B. Engine 119



### Components in engine compartment

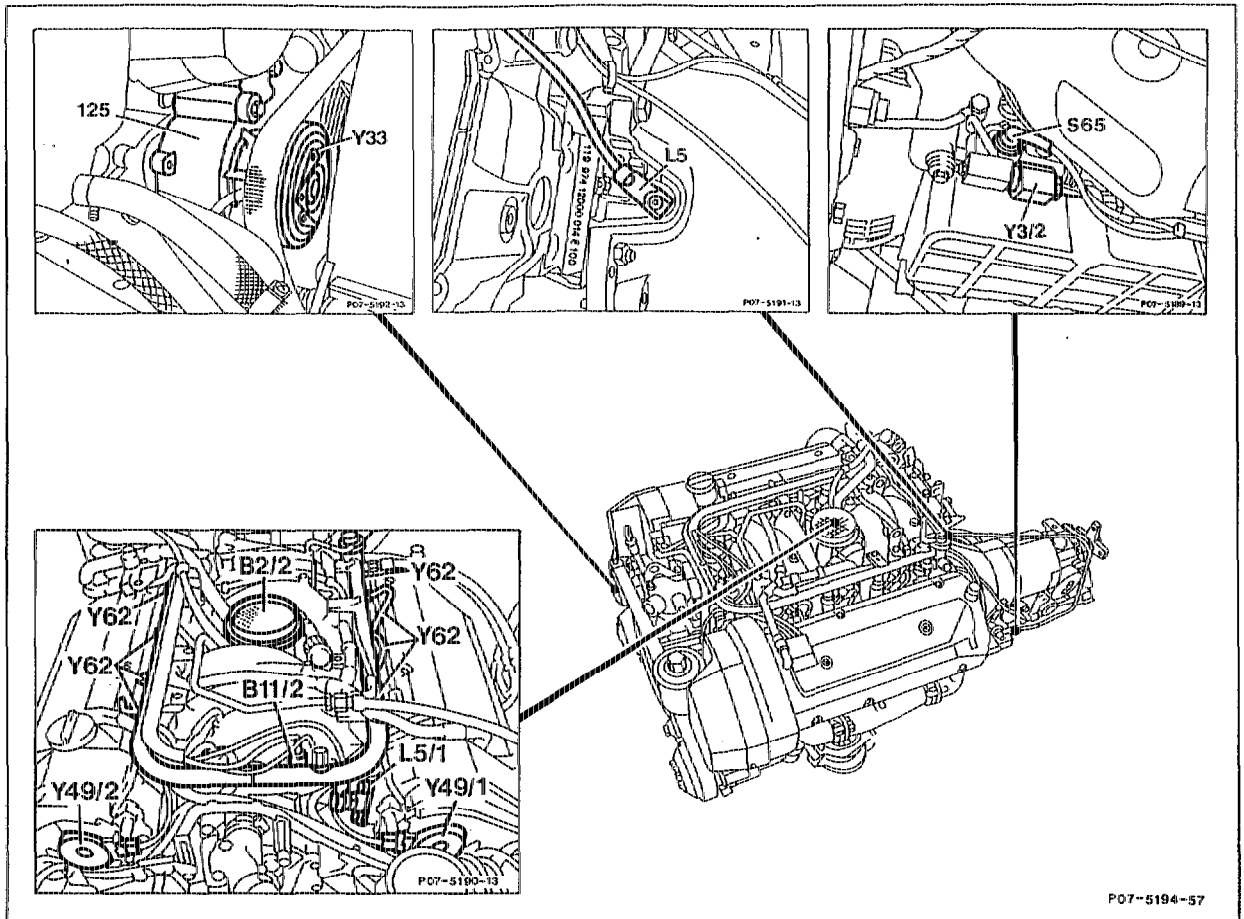
K27	Fuel pump relay	X11/4	Test coupling for diagnosis, pulse signal (38-pin)
N3/1	LH control unit	X26/17	Plug connection, engine separation point (36-pin)
N4/1	Electronic accelerator pedal (EFP) control unit	Y27	ARF switchover valve
N16/1	Base module (GM)	Y32	Air pump switchover valve 1)
N30/1	ABS/ASR control unit	1)	Only on vehicles with KAT
R17/2	Hot wire resistance trimming plug 3)	2)	Only on vehicles without KAT
R33	CO potentiometer, additive performance map adjustment 2)	3)	Except (USA)
W9/2	Ground, front right (at headlamp unit, ignition coil)		



**Components in engine compartment**

- B17/7 Intake air temperature sensor
- G3/2 Heated oxygen sensor <sup>1)</sup>
- G3/2x1 Plug connection, oxygen sensor (4-pin) <sup>1)</sup>
- K17 Air injection relay <sup>1)</sup>
- K29 Transmission shift point retard relay <sup>1)</sup>
- Y3/3 Shift point retard switchover valve <sup>1)</sup>

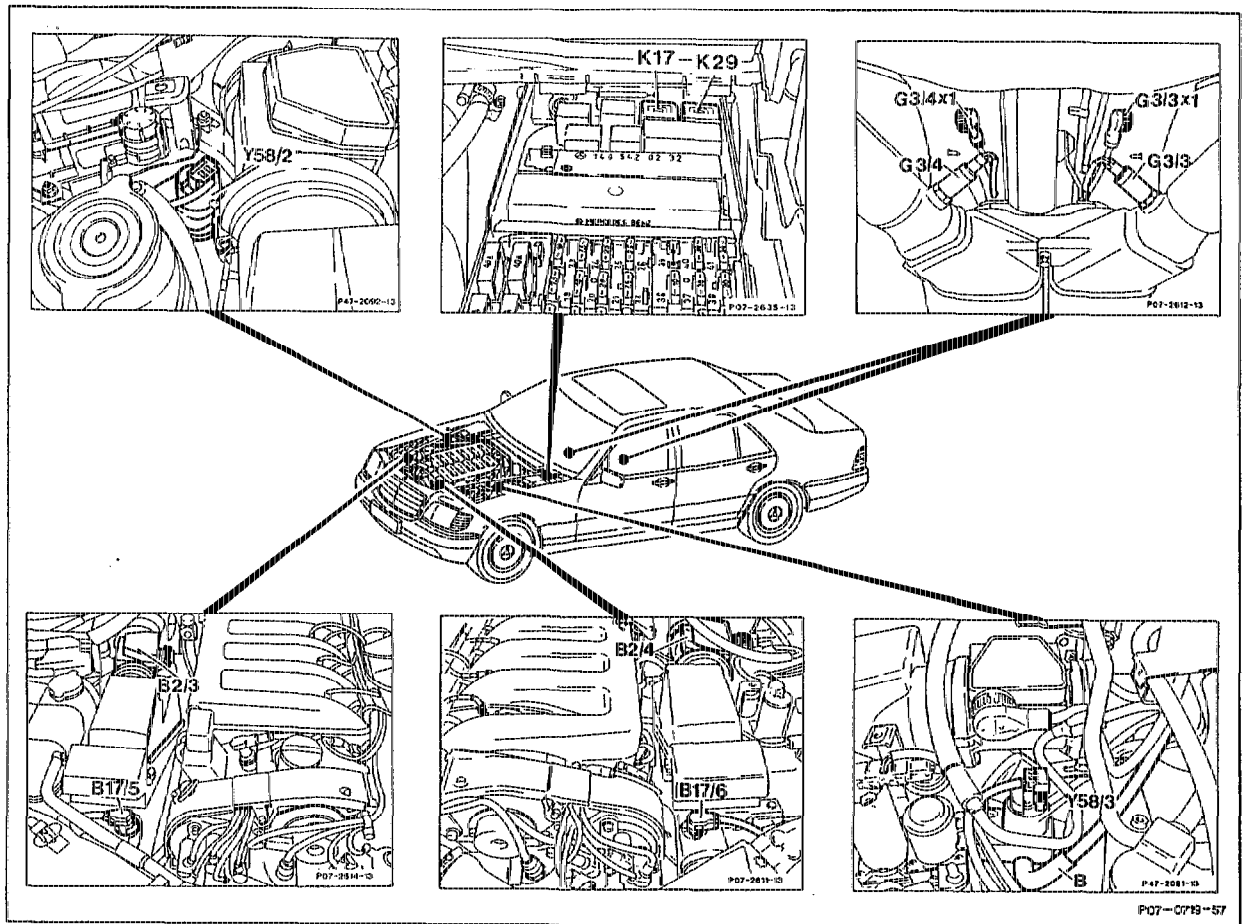
- Y4 Transmission mode switchover valve (2nd mode)
- Y58/1 Regeneration switchover valve
- A To activated charcoal filter
- B To engine
- <sup>1)</sup> Only on vehicles with KAT



### Components on engine

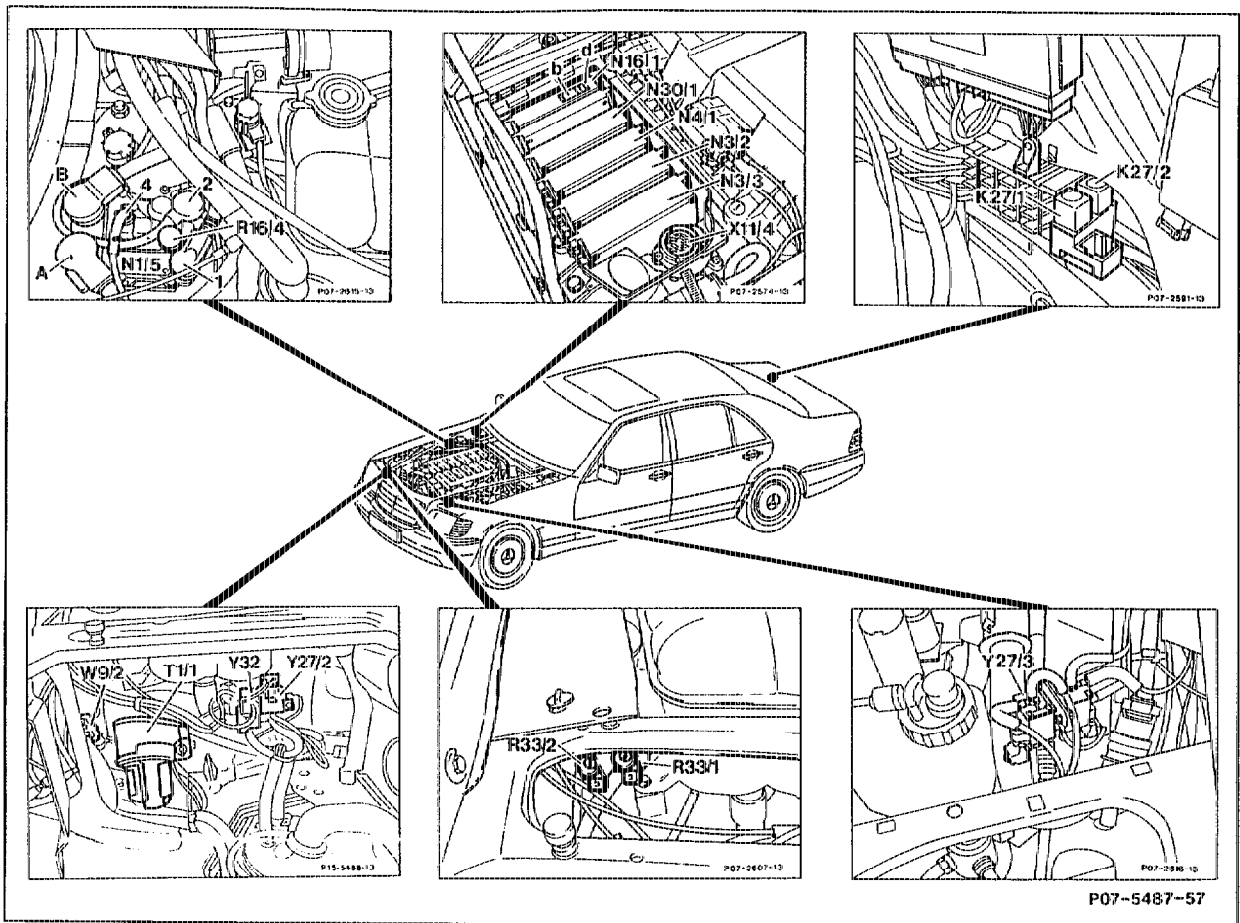
125	Air pump	Y3/2	Shift point retard solenoid valve
B2/2	Air mass sensor with hot wire	Y33	Air pump electromagnetic clutch <sup>1)</sup>
B11/2	Coolant temperature sensor	Y49/1	Left camshaft timing actuator
L5	Crankshaft position sensor	Y49/2	Right camshaft timing actuator
L5/1	Camshaft position sensor	Y62	Fuel injection valves
S65	Transmission overload protection switch	1)	Only on vehicles with KAT

## C. Engine 120



### Components in engine compartment

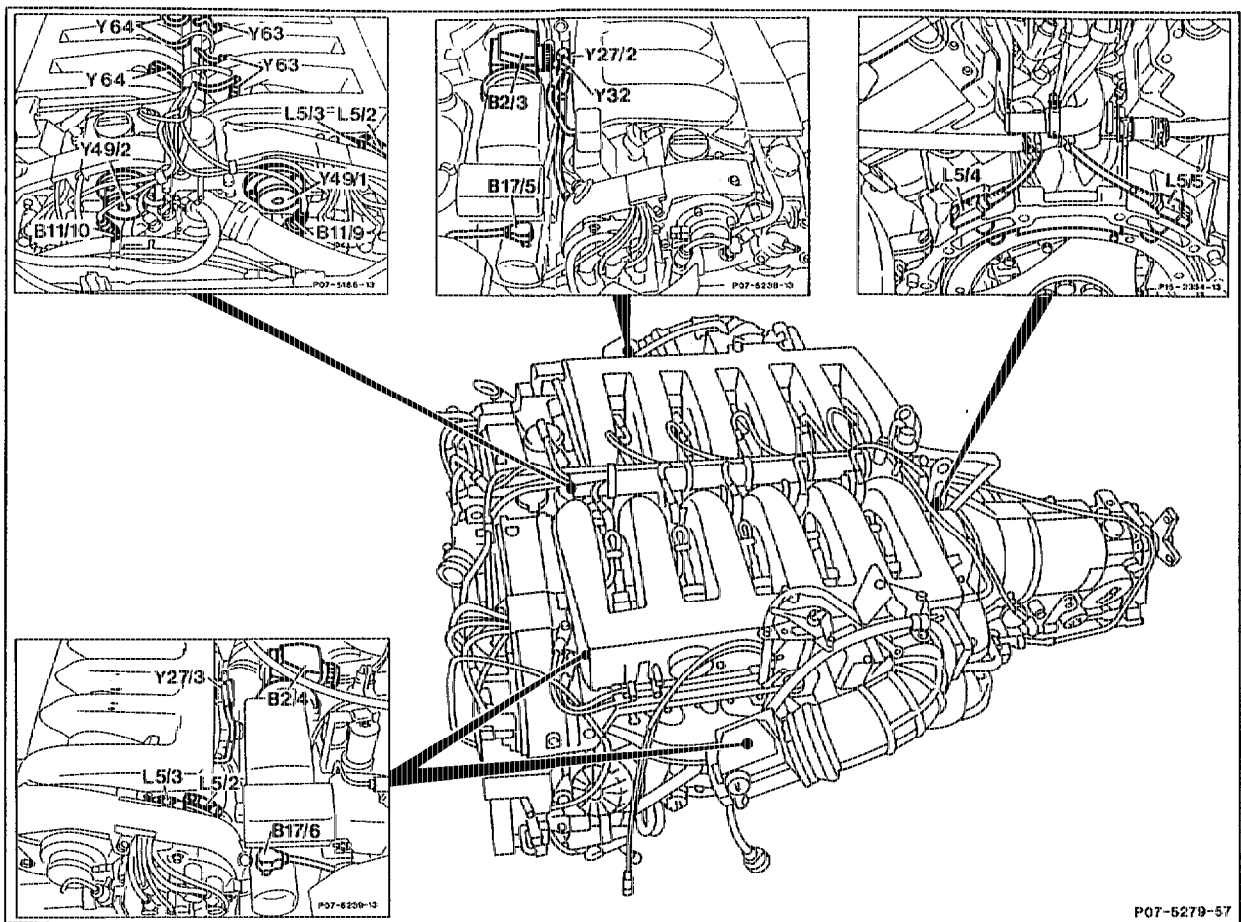
B2/3	Left air mass sensor with hot wire, positioned on right of engine	G3/3x1	Plug connection, left oxygen sensor 1)
B2/4	Right air mass meter with hot wire, positioned on left of engine	G3/4x1	Plug connection, right oxygen sensor 1)
B17/5	Left intake air temperature sensor	K17	Air injection relay 1)
B17/6	Right intake air temperature sensor	K29	Transmission shift point retard relay
G3/3	Left oxygen sensor 1)	Y58/2	Left regeneration switchover valve
G3/4	Right oxygen sensor 1)	Y58/3	Right regeneration switchover valve
		1)	Only on vehicles with KAT



### Components in engine compartment

K27/1	Fuel pump relay for pump 1 and 2	X11/4	Test coupling for diagnosis, pulse signal (38-pin)
K27/2	Fuel pump relay for pump 1 and 2	Y27/2	Left ARF switchover valve <sup>1)</sup>
N1/5	Right EZL ignition control unit	Y27/3	Right ARF switchover valve <sup>1)</sup>
N3/2	Left LH control unit	Y32	Air pump switchover valve <sup>1)</sup>
N3/3	Right LH control unit		
N4/1	Electronic accelerator pedal (EFP) control unit	2	Coaxial connector for control cable from crankshaft position sensor
N16/1	Base module (GM)	4	Vacuum connection
N30/1	ABS/ASR control unit		
R16/4	Right EZL resistance trimming coupling	A	8-pin coupling
R33/1	Left CO potentiometer, additive performance map adjustment <sup>2)</sup>	B	8-pin coupling
R33/2	Right CO potentiometer, additive performance map adjustment <sup>2)</sup>		
T1/1	Ignition coil 1 (right bank of cylinders)	<sup>1)</sup>	Only on vehicles with KAT
W9/2	Ground, front right (at headlamp unit, ignition coil)	<sup>2)</sup>	Only on vehicles without KAT





P07-5279-57

### Components on engine

B2/3	Left air mass sensor with hot wire	L5/4	Left crankshaft position sensor
B2/4	Right air mass sensor with hot wire	L5/5	Right crankshaft position sensor
B11/9	Left coolant temperature sensor	Y27/2	Left ARF switchover valve
B11/10	Right coolant temperature sensor	Y27/3	Right ARF switchover valve
B17/5	Left hot wire intake air temperature sensor, positioned on right of engine	Y32	Air pump switchover valve 1)
B17/5	Right hot wire intake air temperature sensor, positioned on left of engine	Y49/1	Left camshaft timing actuator
L5/2	Left camshaft position sensor	Y49/2	Right camshaft timing actuator
L5/3	Right camshaft position sensor	Y63	Left fuel injection valves (valves 7-12)
		Y64	Right fuel injection valves (valves 1-6)
		1)	Only on vehicles with KAT

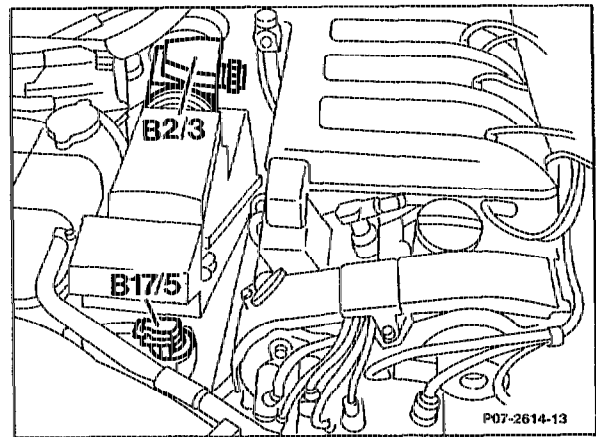
## Components which are allocated to the respective bank of cylinders

Because of the intake manifold design, the following components which are located on the left-hand side are allocated to the right-hand bank of cylinders and components which are located on the right-hand side are allocated to the left-hand bank of cylinders.

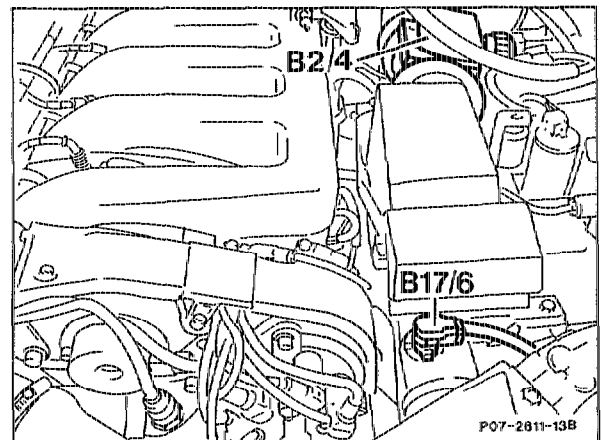
- Air mass sensor
- Intake air temperature sensor
- ARF switchover valve
- Regeneration switchover valve

### Location

B2/3 Left air mass sensor with hot wire  
B17/5 Left hot wire intake air temperature sensor

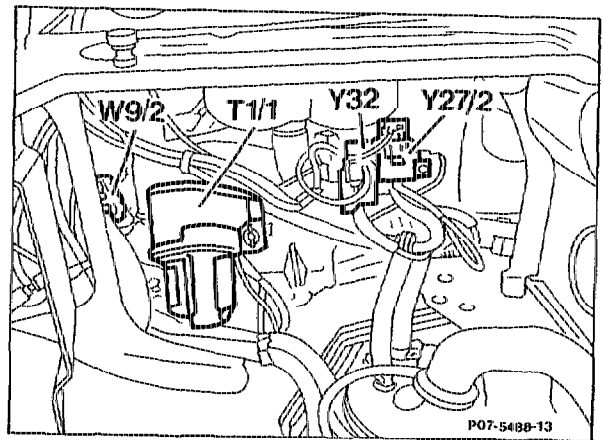


B2/4 Right air mass sensor with hot wire  
B17/6 Right hot wire intake air temperature sensor

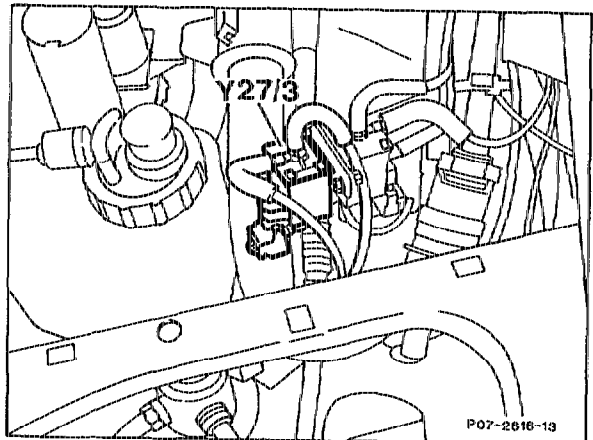


## Location of switchover valves

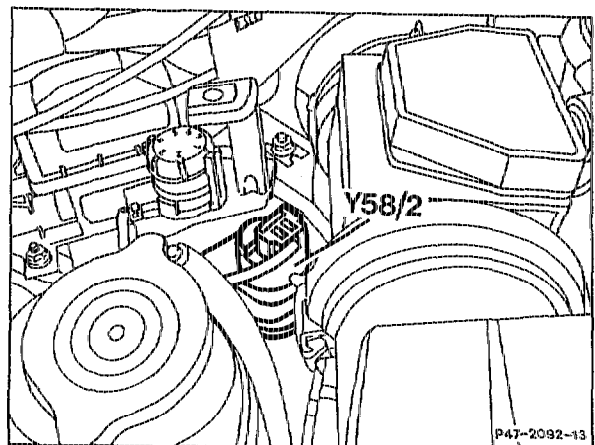
Y27/2 Left ARF switchover valve



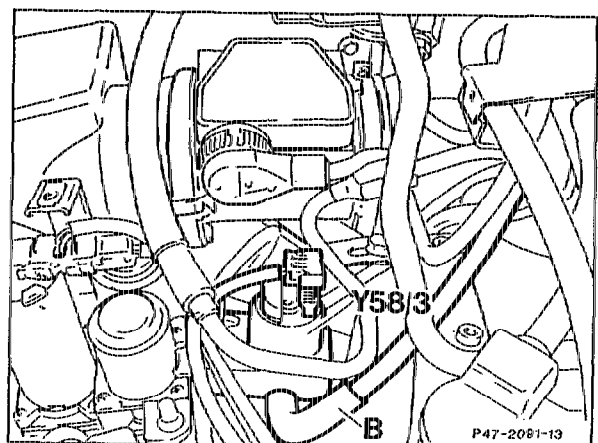
Y27/3 Right ARF switchover valve



Y58/2 Left regeneration switchover valve



Y58/3 Right regeneration switchover valve



**LH hot wire control units (N3/2, N3/3)**

Two control units are required: right LH hot wire control unit (N3/3) for cylinders 1–6 (colour coding of coupling dark green/light green) and left LH hot wire control unit (N3/2) for cylinders 7–12 (colour coding of coupling dark blue/light blue).

To distinguish which control unit is responsible for the left and which for the right bank of cylinders, the left LH hot wire control unit (N3/2) is laid to ground (coded) at the connection (1.2, see Wiring Diagrams Model 140, Volume 1).

