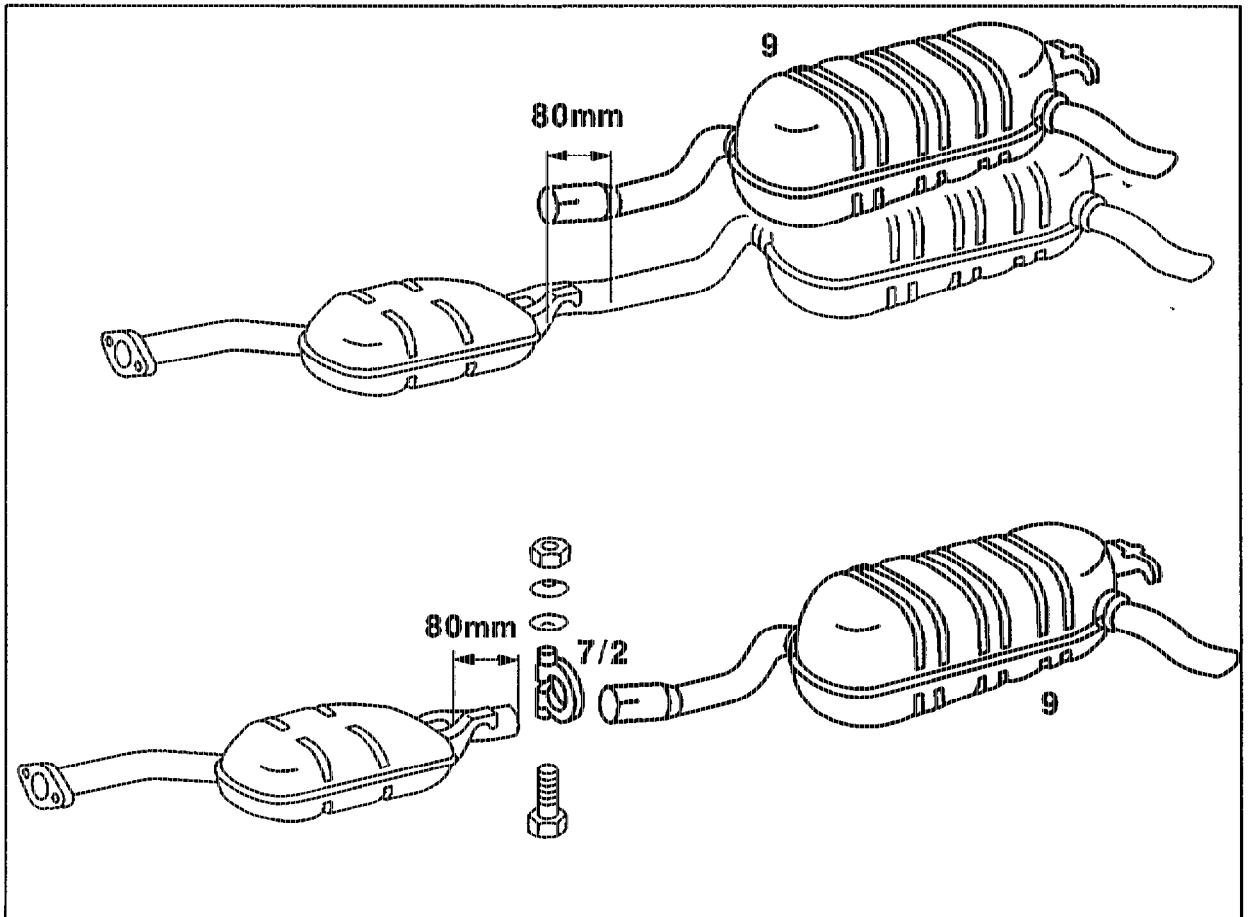


49-4940 Replacing center, tail muffler

Operation no. of operation texts and work units or standard texts
and flat rates:
Center muffler 49-4940
Tail muffler 49-4951

A. Sedan



P49-5086-57

- | | |
|--|--|
| Exhaust system downstream of flanged joint | remove, install (49-7280). |
| New tail muffler (9) | place with socket connection precisely over removed exhaust system and mark pipe length of new tail muffler on the removed exhaust system. |

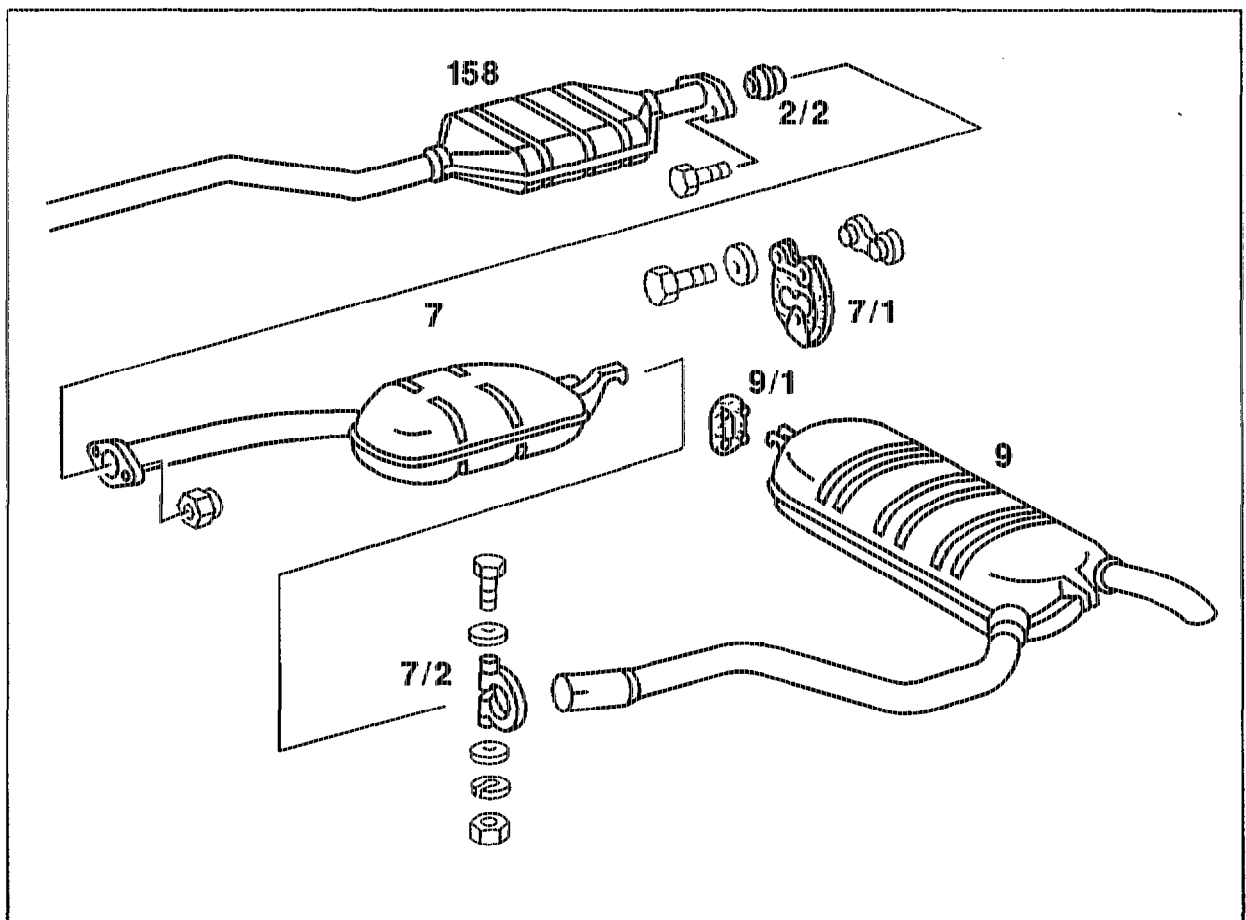
Cut through pipe 80 mm from the marking (tolerance minus 10 mm) in the direction of the tail muffler so as to ensure an insertion depth of 70–80 mm.

Note

If center muffler is faulty, the center, tail muffler unit must be replaced complete.

Use exhaust pipe clamp (7/2) for installing.

B. Station Wagon



P49-5087-57

Replacing tail muffler

Exhaust pipe clamp (7/2) take off, fit on.

Note

Always replace self-locking nuts.

Rubber mount (9/1)	detach, examine, replace if necessary, attach.
Tail muffler (9)	pull out, insert.

Installation note

Clean connection points if necessary with emery cloth in order to remove combustion and corrosion residues.

Leaktightness of all connection points	check with engine running.
--	----------------------------

Replacing center muffler

Tail muffler (9)	remove, install (see section on replacing tail muffler).
------------------------	--

Flanged joints at catalytic converter (158)	detach, attach. To do this, unscrew bolts, screw in. Tightening torque 20 Nm as reference value.
---	---

Note

Always replace self-locking nuts.

Rubber mount (7/1)	detach, examine, replace if necessary, attach.
Center muffler (7)	pull out, insert.

Seal (2/2) and flange	check suitability for re-use, replace if necessary. Ensure correctly installed.
-----------------------------	--

Installation note

Clean all connection points if necessary with emery cloth to remove combustion and corrosion residues.

Leaktightness of all connection points	check with engine running.
--	----------------------------