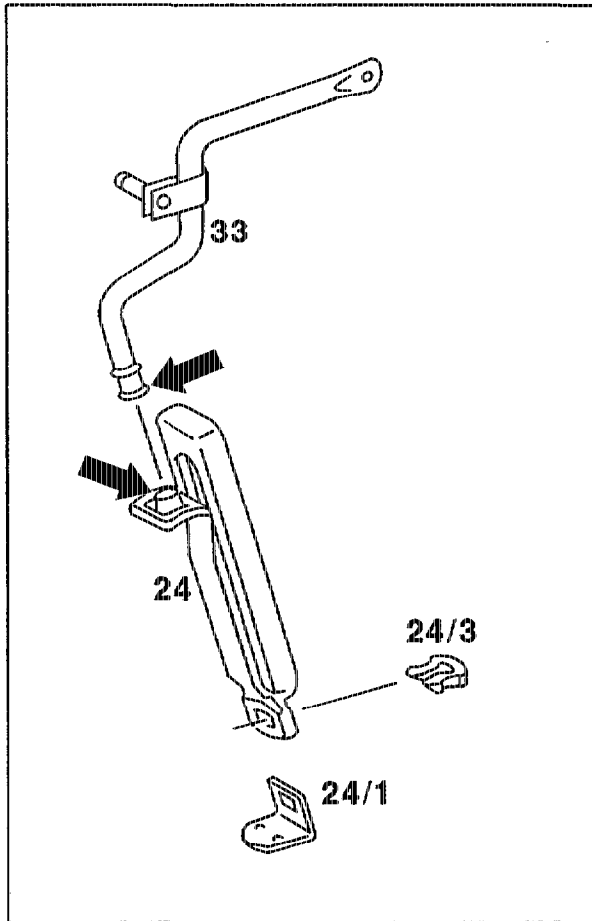


30-1321 Removing and installing accelerator pedal

Operation no. of operation texts and work units or standard texts
and flat rates:
30-1321



P30-5137-17

Lugs of expansion clip (24/3) behind accelerator
pedal (24)

press together and pull out expansion clip
(24/3), press in.

Accelerator pedal (24)

Installation note

Ensure that the expansion clip is correctly
locked in position.

pull off the securing plate (24/1), fit on.

Accelerator pedal (24) pull down off accelerator pedal lever (33), fit on. When doing this, turn accelerator pedal sufficiently to the left until the lug (arrow) on the accelerator pedal lever is aligned with the slow (arrow) in the accelerator pedal.

Note

The connection from accelerator pedal lever to accelerator pedal is maintenance-free and does not need to be lubricated.