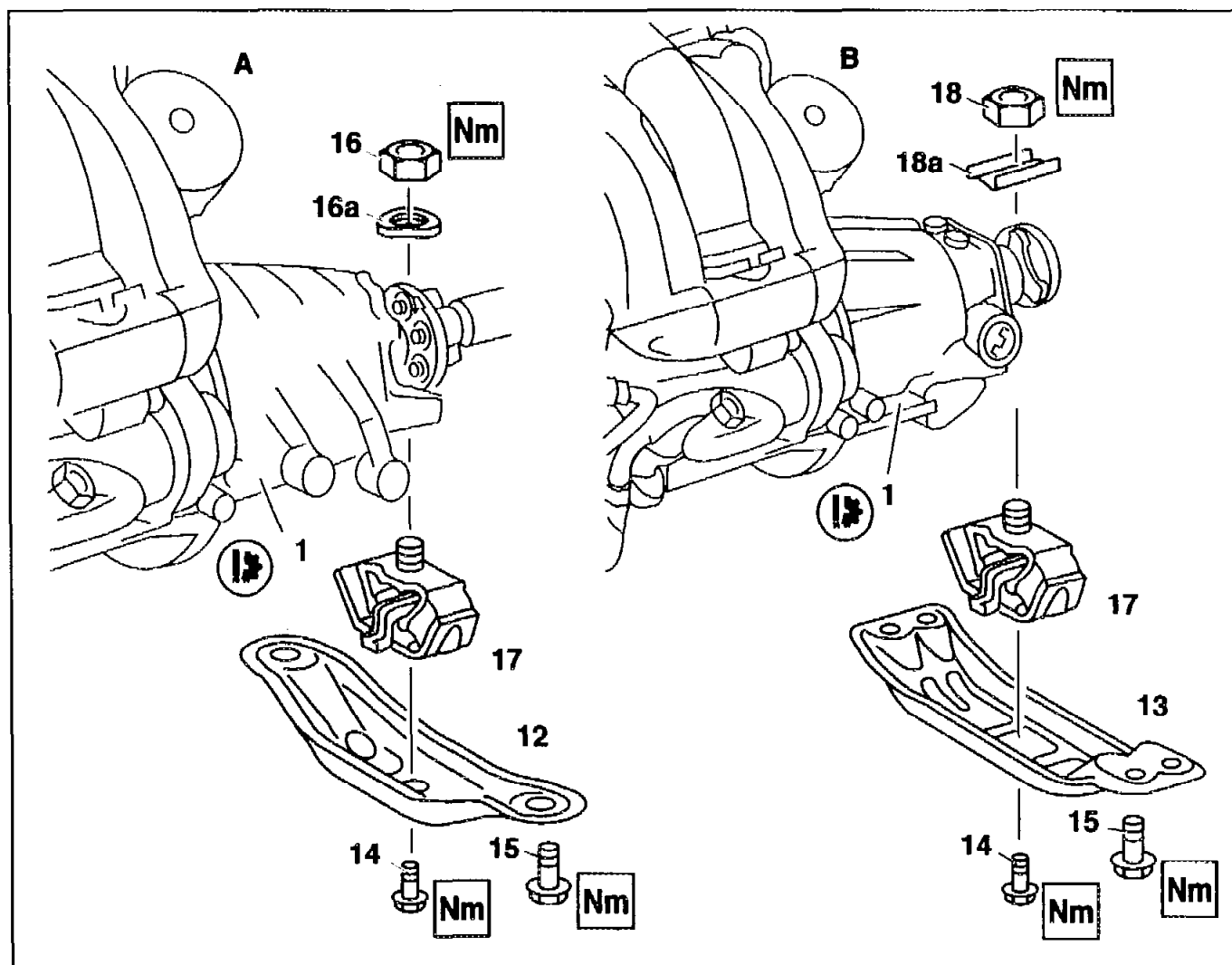


**N10**

AR22.10-P-1160HA

Removing, installing rear engine mount**10.2.94****ENGINE 111, 605, 606 in MODEL 124****A** *Manual transmission***B** *Automatic transmission***12** *Engine supporting bracket***13** *Engine supporting bracket***14** *Bolt + washer***15** *Bolt + washer***16** *Nut of engine mount to transmission***16a** *Spring washer***17** *Rear engine mount***18** *Nut of engine mount to transmission***18a** *Washer*



	Removal, installation		
1	Support transmission (1)		
2	Remove rear engine crossmembers (12, 13)	Engine 111 in model 124 Engine 111 in model 124 Engine 605, 606 in model 124 Engine 605, 606 in model 124	BA22.10-P-1002-01A BA22.10-P-1003-01A BA22.10-P-1002-01D BA22.10-P-1003-01D
3	Remove rear engine mount (17)	Engine 111, in model 124 Engine 605, 606 in model 124 Pay attention to spring washer or washer	BA22.10-P-1006-01A BA22.10-P-1006-01D
4	Install in the reverse order		

Engine suspension, engine mount, engine crossmember

Number	Designation		Engine 111 in model 124
BA22.10-P-1002-01A	Bolt of rear engine mount to rear engine crossmember	Nm	25
BA22.10-P-1003-01A	Bolt of rear engine crossmember to body	Nm	40
BA22.10-P-1006-01A	Bolt and nut of rear engine mount to transmission	Nm	70

**Nm** Engine suspension, engine mount, engine crossmember

Number	Designation	Engine 605, 606 in model 124
BA22.10-P-1002-01D	Bolt of rear engine mount to rear engine crossmember	Nm 25
BA22.10-P-1003-01D	Bolt of rear engine crossmember to body	Nm 40
BA22.10-P-1006-01D	Bolt and nut of rear engine mount to transmission	Nm 70