



<b>J9</b>	AR20.40-P-5660HB	<b>Removing, installing viscous fan coupling</b>	<b>2.4.93</b>
-----------	------------------	--	---------------



**ENGINE 605, 606 in MODEL 124**

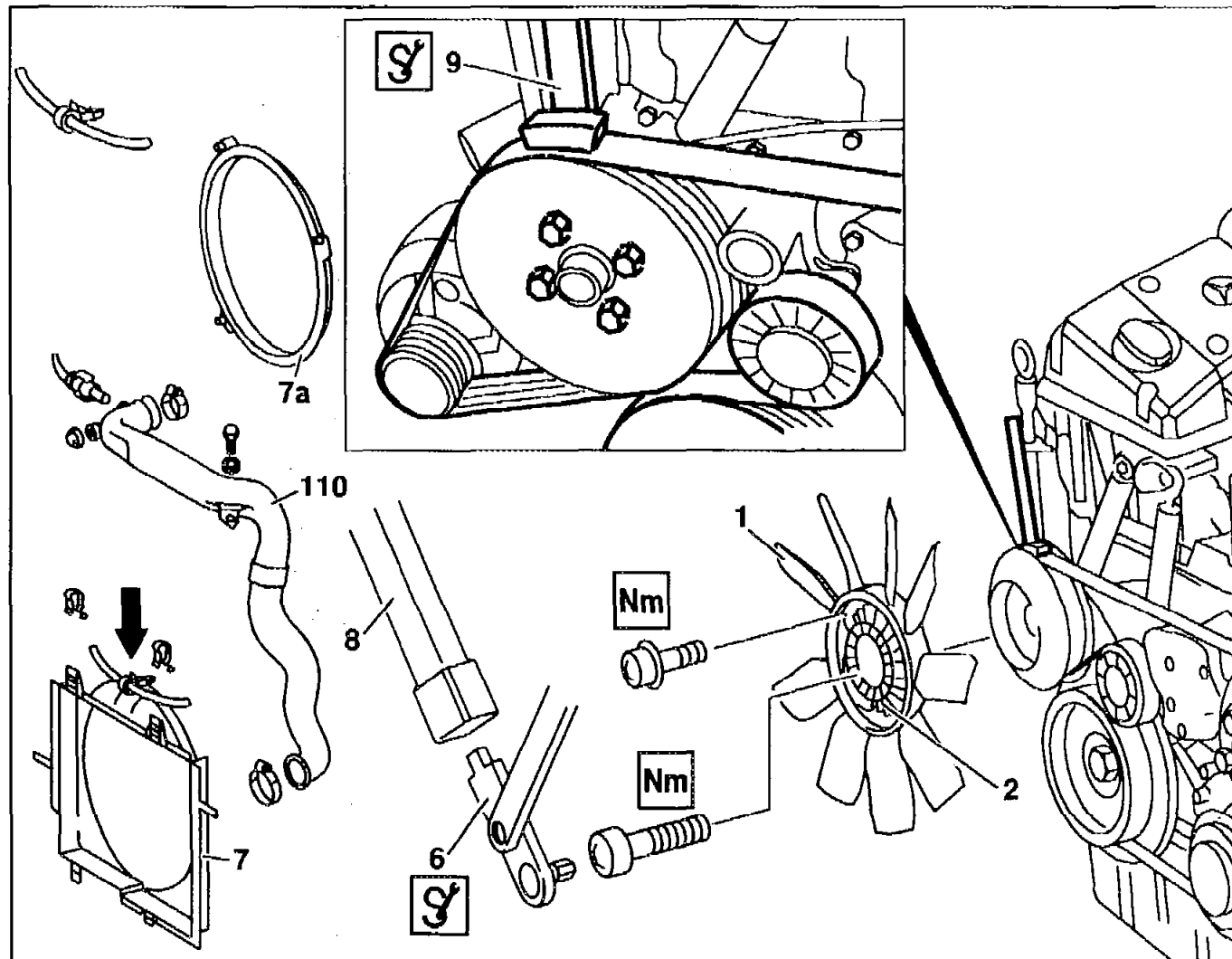
**ENGINE 606.961 in MODEL 140**

**ENGINE 605 in MODEL 202**


**ENGINE 602.982, 605, 606.912 /962 in MODEL 210**





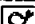




- 1 Fan
- 2 Viscous fan coupling
- 6  Screwdriver 8 mm
- 7 Fan shroud (engine 602.982, 605)
- 7a Fan shroud ring (engine 606)
- 8 Torque wrench
- 9  Counter-holder
- 110 Charge air pipe, engine 602.982, 605.960/962



P20.40-0221-06

	<b>Removal, installation</b>		
1.1	Remove charge air pipe (110)	Engine 605.960 in model 202	AR09.41-P-1311H

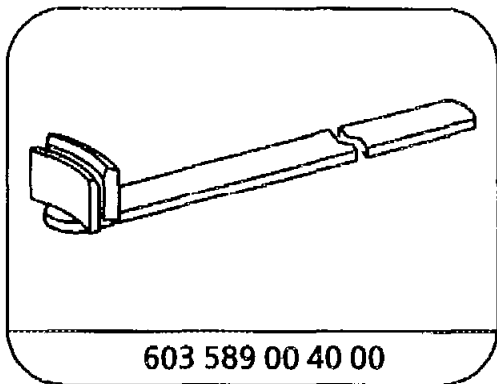
		Engine 602.982, 605.962 in model 210	
2.1	Remove fan shroud (7), place over the fan (1)	Engine 602.982, 605 Engine 606.912 in model 210  Installation ↓  Adjust fan shroud	AR20.40-P-6800-01HA <b>E16</b>
2.2	Turn fan shroud ring (7a) to release it from the engaging studs on the fan shroud, remove	Engine 606 in model 124 Engine 606.961 in model 140  Installation: Ensure the fan shroud ring (7a) is properly located in the engaging studs of the fan shroud (7)	
3.1	Remove fan shroud (7) and lift up and out	Engine 606.962 in model 210  Installing: ensure the engaging studs of the fan shroud (7) are properly located	
4	Insert counter-holder (9) at the belt pulley of the coolant pump		603 589 00 40 00
5	Unbolt viscous fan clutch (2) together with fan (1), remove	 Use a screwdriver (6) and torque wrench (8) to slacken the central bolt. On engine 605 in models 124, 202, remove viscous fan coupling together with fan shroud (7)    	120 589 14 07 00  BA20.40-P-1002-01A  BA20.40-P-1003-01A



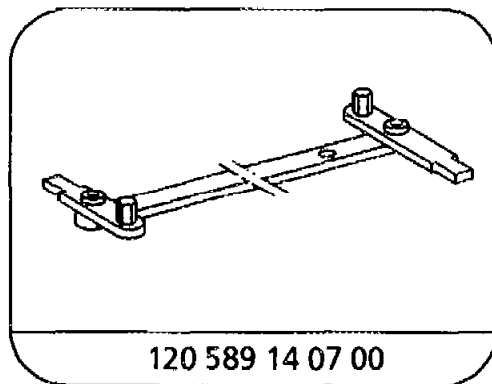
6	Unbolt fan (1) at viscous fan clutch (2)	<p><b>i</b> <b>Installation:</b> Installation position of fan is marked by a lug on the fan ring and by the marking "VORNE FRONT" (on fan ring in direction of travel)</p> <p><b>Nm</b></p>	BA20.40-P-1002-01A
7	Install in the reverse order		

**Nm** Fan, fan coupling

Number	Designation		Engine 605, 606	Engine 601, 602 except 602.982, 603
BA20.40-P-1001-01A	Bolt of fan to viscous coupling	Nm	10	10
BA20.40-P-1002-01A	Tightening bolt of viscous fan coupling to bearing body with approved special tool	Nm	40	40
BA20.40-P-1003-01A	Tightening bolt of viscous fan coupling to bearing body with torque wrench	Nm	45	45



Counter-holder



Screwdriver insert