

F9

AR20.40-P-5660HA

Removing, installing viscous fan coupling

2.4.93

ENGINE 601, 604 in MODEL 202
ENGINE 604 in MODEL 210

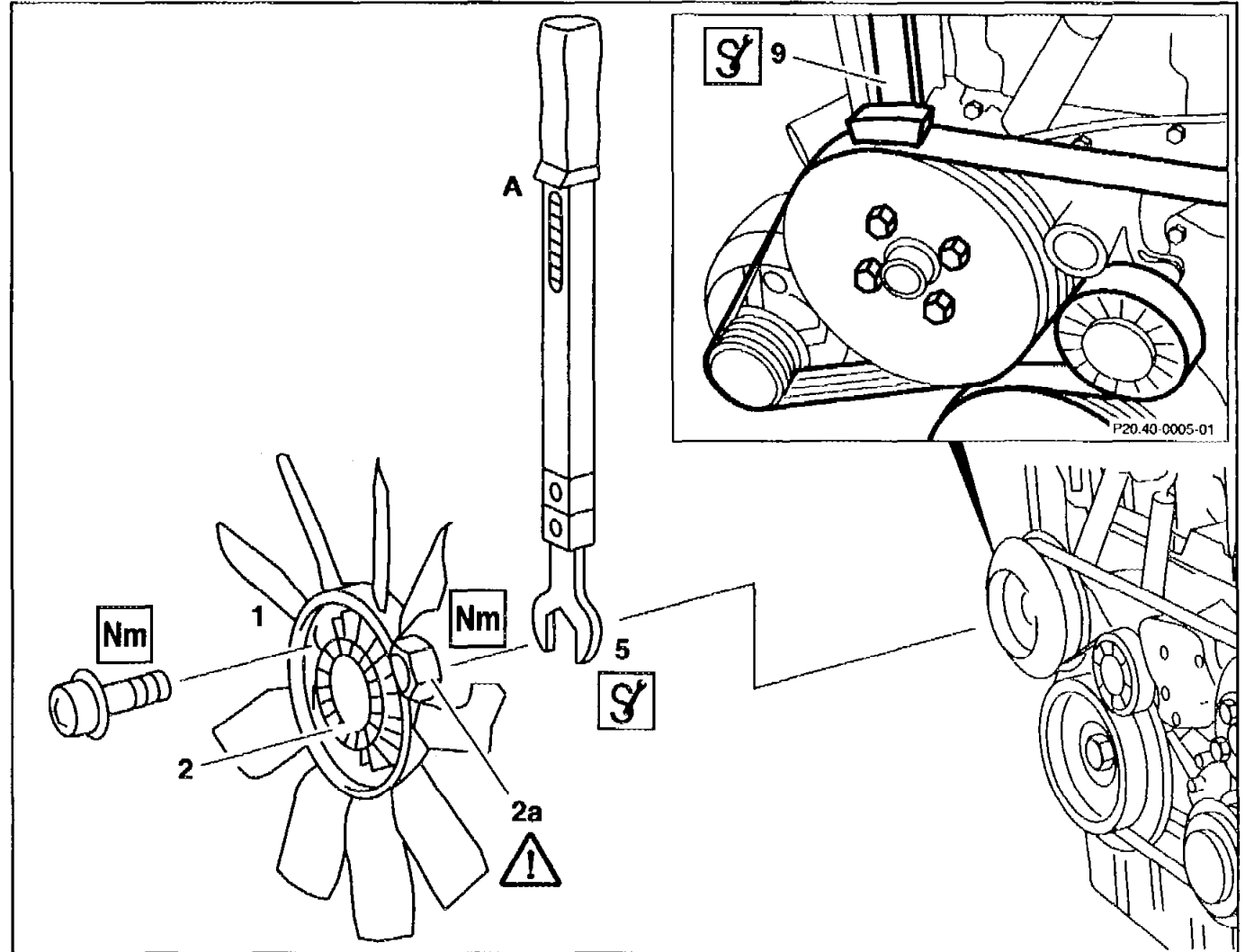







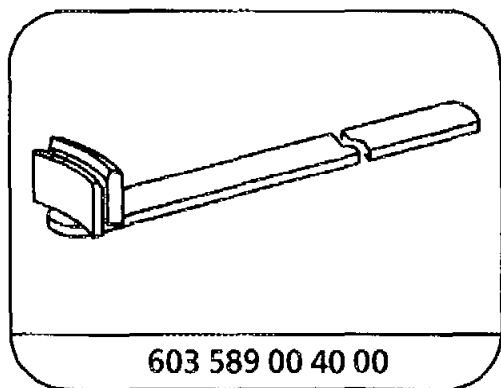


Fig. item, etc.	Work instructions		
9	Counter-holder	 Insert at belt pulley of coolant pump	603 589 00 40 00
2	Viscous fan coupling together with fan (1)	Take off, unscrew union nut (2a).  Use torque wrench with open-end wrench bit (5)  Left-hand thread!  	111 589 02 01 00 BA20.40-P-1003-01A BA20.40-P-1006-01A
1	Fan at viscous fan coupling (2)	 Installation: Installation position of fan is marked by a lug on fan ring and by the marking "VORNE FRONT" (on fan ring in direction of travel) 	BA20.40-P-1001-01A

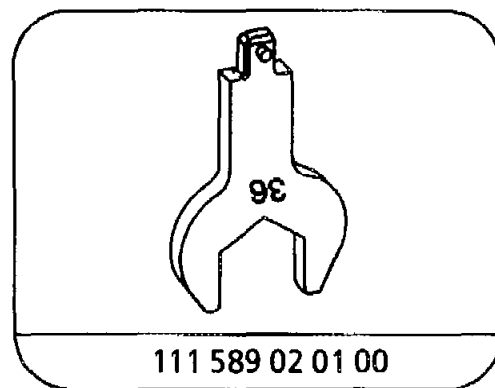
**Nm** Fan, fan coupling

Number	Designation		Engine 601 in model 202	Engine 604
BA20.40-P-1001-01A	Bolt of fan to viscous coupling	Nm	10	10
BA20.40-P-1003-01A	Tighten bolt of viscous fan coupling to bearing body with screwdriver and torque wrench	Nm	-	45
BA20.40-P-1006-01A	Union nut to bearing body	Nm	45	-



603 589 00 40 00

Counter-holder



111 589 02 01 00

Open-end wrench bit