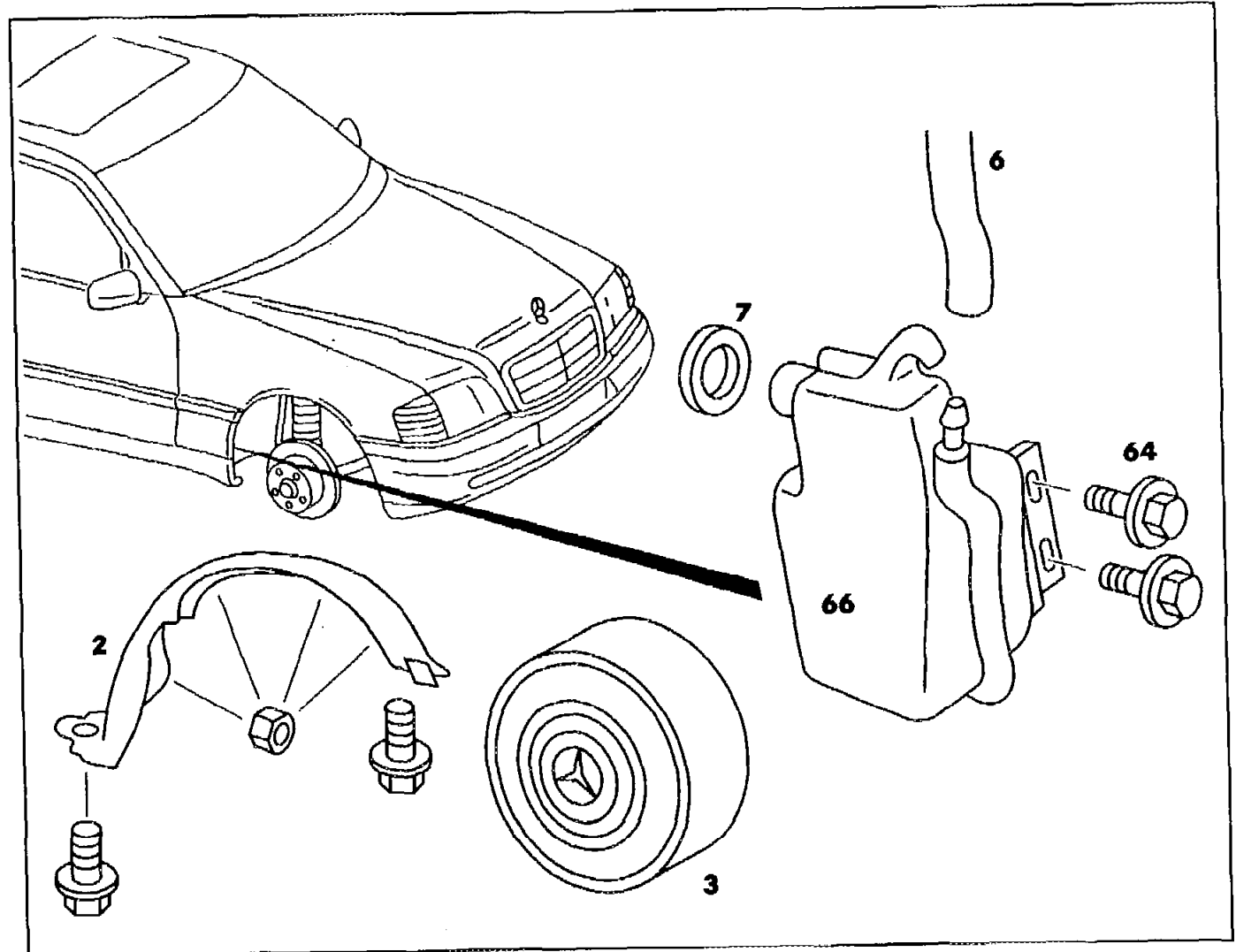


D9




AR20.30-P-4540A

Removing, installing overflow reservoir

**ENGINE 605.960**  
**in MODEL 202**





 	Removal, installation		
1	Remove front right wheel (3)		
2	Take off liner (2) below front fender		
3	Disconnect coolant hose (6) to expansion reservoir		
4	Remove overflow reservoir (66)	 Pay attention to rubber bush (7)	
		Overflow reservoir discontinued with introduction of 2-position cap, see ↓ Function of 2-position cap	GF20.30-P-1000A <b>L8</b>
5	Install in the reverse order		