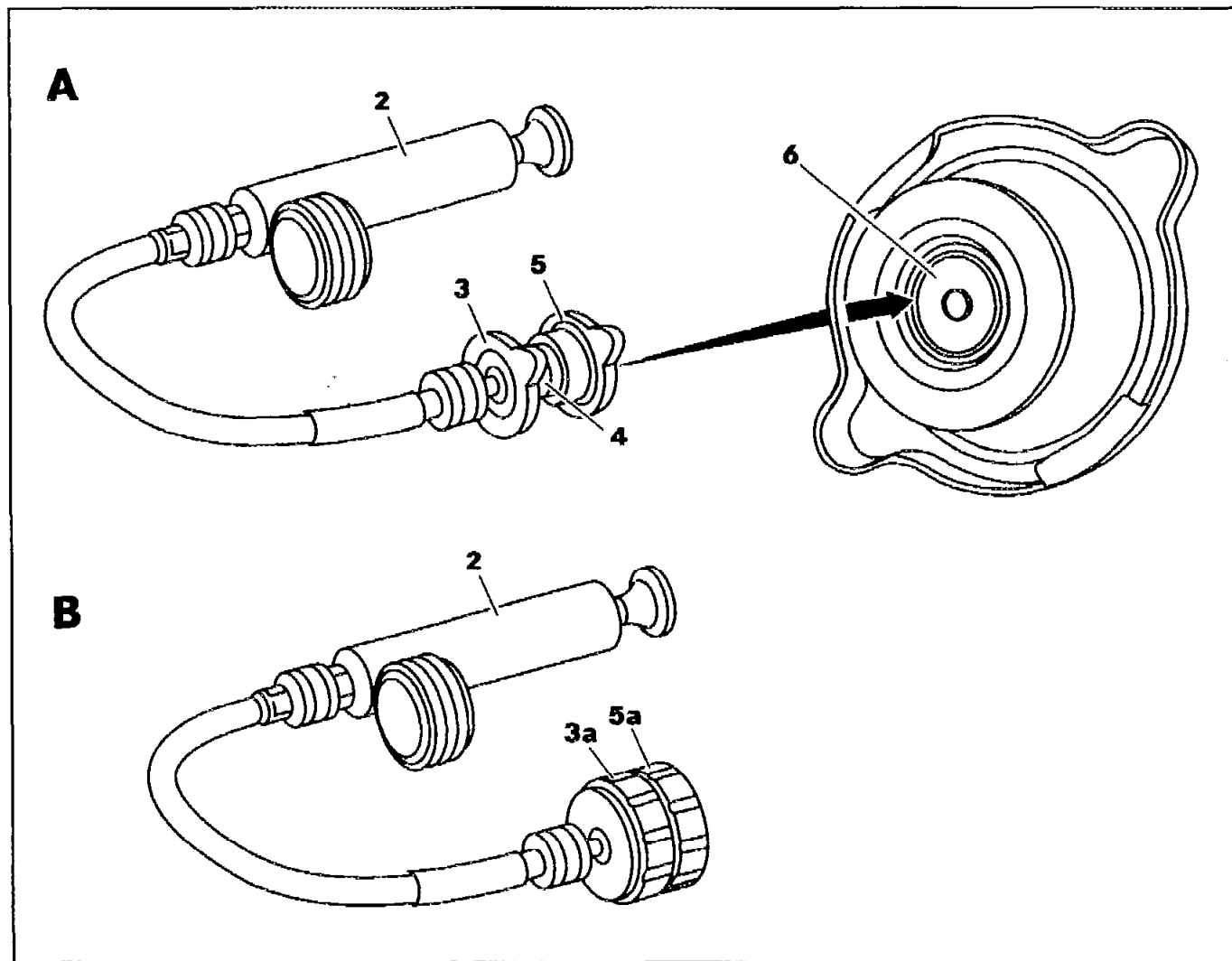













08	AR20.30-P-4300HA	Testing cooling system cap	2.4.93
----	------------------	----------------------------	--------




ENGINE 111, 120, 601, 602, 603, 604, 605, 606 /

- A Testing cap with detent
- B Testing 2-stage cap



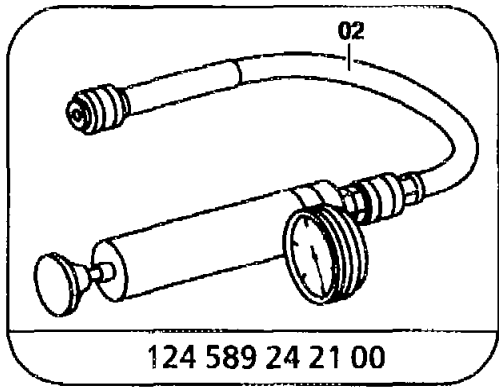


 	Removing, installing		
	The cooling system cap in model 163 cannot be tested; it should be replaced if necessary		
1	Open cooling system cap (5, 5a)	 Cap (5, 5a) Cap with detent: carefully turn cap to the first detent, release pressure, and then unscrew cap. 2-stage cap: turn cap half a turn anti-clockwise, release pressure, and then unscrew cap.	
	Testing cooling system cap with detent		
2.1	Inspect cap (5) for corrosion	 Replace if corrosion present	
3.1	Attach test cap (3) and double union (4) to tester (2)	 Tester (2)  Test cap (3)  Double union (4)	124 589 24 21 00 124 589 00 91 00 000 589 77 63 00
4.1	Screw cap (5) with detent onto double union (4)		

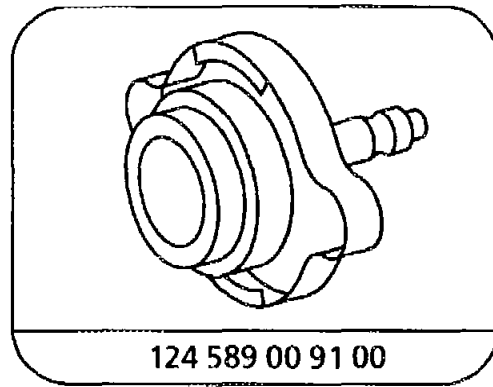
5.1	Test pressure relief valve	Determine opening pressure of the cap (5) by pumping; replace cap (5) if necessary. i As of 02/1986 the opening pressure of the cap has been increased from the previous 1.2 bar to 1.4 bar; consequently, the permissible coolant temperature is increased from 125 to 129 °C with standard antifreeze protection down to -30 °C.	BE20.30-P-1001-01A
6.1	Test vacuum valve (6)	If cap (5) fitted: the vacuum valve (6) should be resting against the rubber seal (arrow), it can be raised easily and springs back when released.	BE20.30-P-1003-01A
	Testing 2-stage cap		
7.1	Attach test cap (3a) to tester (2)	 Tester (2)  Test cap (3a)	124 589 24 21 00 210 589 00 91 00
8.1	Screw on 2-stage cap (5a) at test cap (3a)		
9.1	Test pressure relief valve	Determine opening pressure of the cap (5a) by pumping; replace cap (5a) if necessary. Function see ↓ Function of 2-stage cooling system cap	BE20.30-P-1004-01A GF20.30-P-1000A L8
10	Install in the reverse order		

**Radiator or expansion reservoir cap**

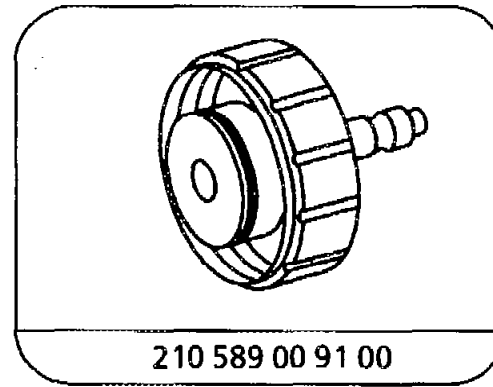
Number	Designation	Cap	2-stage cap	
BE20.30-P-1001-01A	Cap code number	140	140/200	
BE20.30-P-1002-01A	Pressure relief valve opens	new bar gage	1.4+0.1	-
		used bar gage	1.4-0.1	-
BE20.30-P-1003-01A	Vacuum valve opens (reference value)	bar vacuum	0.1	0.1
BE20.30-P-1004-01A	Pressure relief valve opens	1st stage bar gage	-	1.4±1
		coolant temp.	-	≥ 130/134
		2nd stage bar gage	-	2.0±1
		coolant temp.	-	≥ 137/143
BE20.30-P-1005-01A	Test pressure for pressure-testing the cooling system	bar gage	1.4	1.4



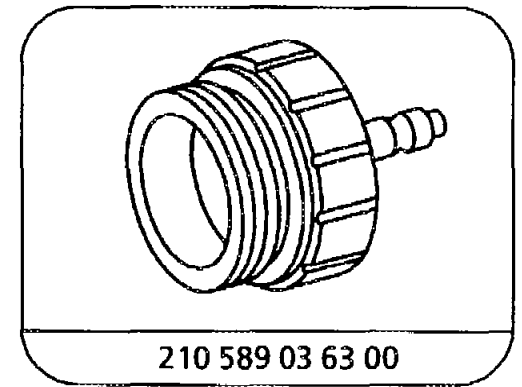
Tester



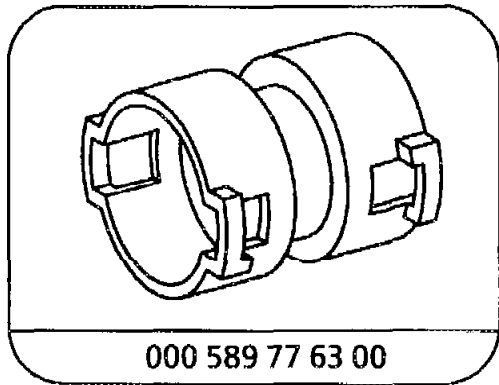
Test cap



Test cap



Adapter



Adapter