

**M7**

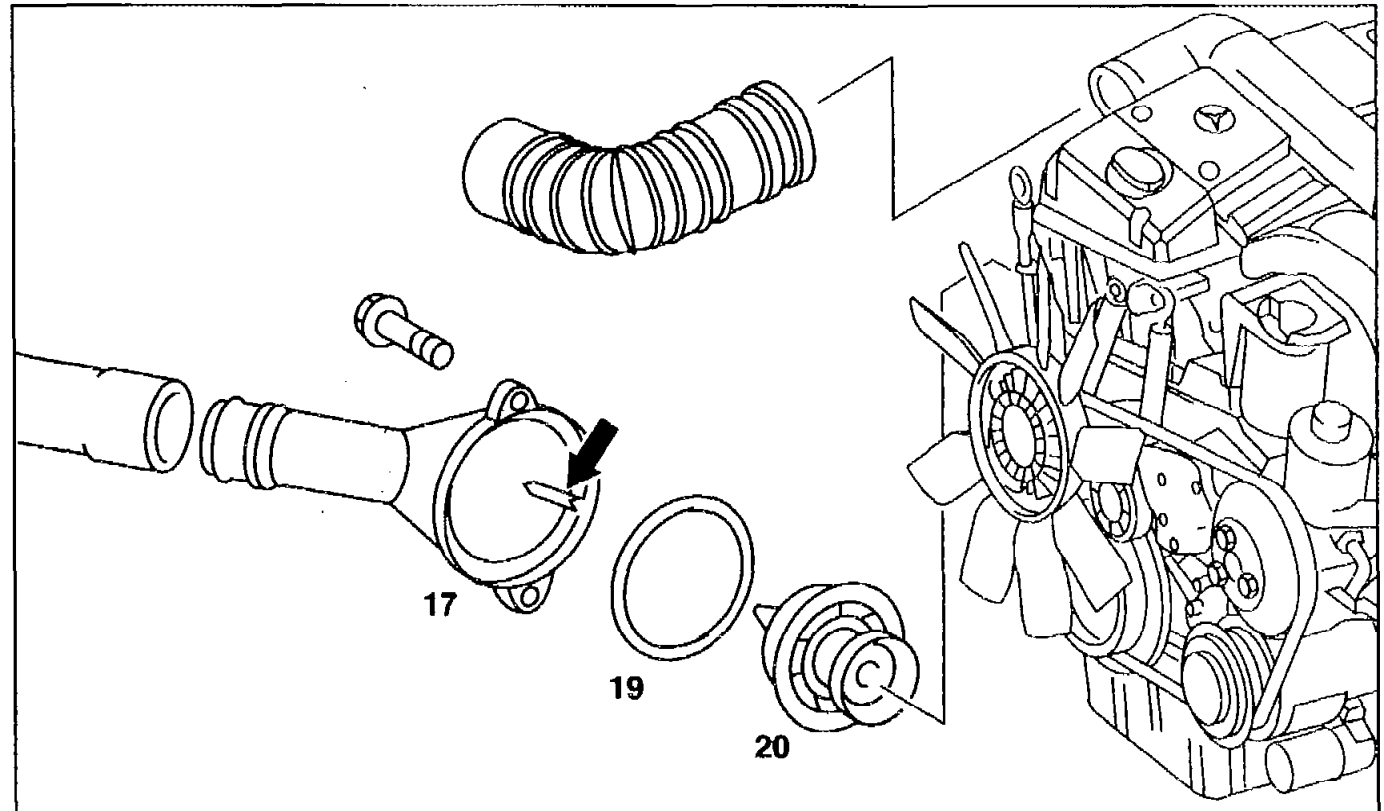
AR20.10-P-2460HA

Removing and engine installing coolant thermostat**2.4.93****ENGINE 602.982, 604, 605, 606 / (except, 606.964)**

17 Coolant thermostat housing





19 O-ring

20 Coolant thermostat



P20.10-0204-05

**Removing, installing**

<p> Danger!</p>	<p>Risk of injury to skin and eyes from scalding from hot coolant which splashes out. Risk of poisoning from swallowing coolant</p>	<p>Do not open the expansion reservoir cap or radiator cap unless the coolant temperature is below 90°C. Unscrew cap carefully up to the first pre-dentent or slowly approx. 1/2 turns. Wear protective clothes.</p>	<p>AS20.00-Z-0001-01A J17</p>
<p>1</p>	<p>Drain coolant</p>	<p>at radiator and crankcase</p>	<p>AR20.00-P-1142HW D6</p>
<p>2</p>	<p>Remove coolant thermostat housing (17)</p>	<p> </p>	<p>WH58.30-Z-1001-06A WH58.30-Z-1002-06A</p>
<p>3</p>	<p>Remove coolant thermostat (20)</p>	<p> Installation: The indentation on the coolant thermostat (20) must align with the rib on the coolant thermostat housing (17) (arrow). Replace O-ring (19).</p>	
<p>4</p>	<p>Install in reverse order</p>	<p>Check cooling system for leaks</p>	<p>AR20.00-P-1010HA P5</p>

**Commercially-available tool**

Number	Designation	Company (e.g.)	Order number
WH58.30-Z-1001-06A	6 mm socket wrench hexagon on flexible shaft for hose clamps with worm-gear drive	Hazet Güldenwerther Bahnhofstraße 25-28 D-42857 Remscheid	426-6
WH58.30-Z-1002-06A	7 mm socket wrench hexagon on flexible shaft for hose clamps with worm-gear drive	Hazet Güldenwerther Bahnhofstraße 25-28 D-42857 Remscheid	426-7