



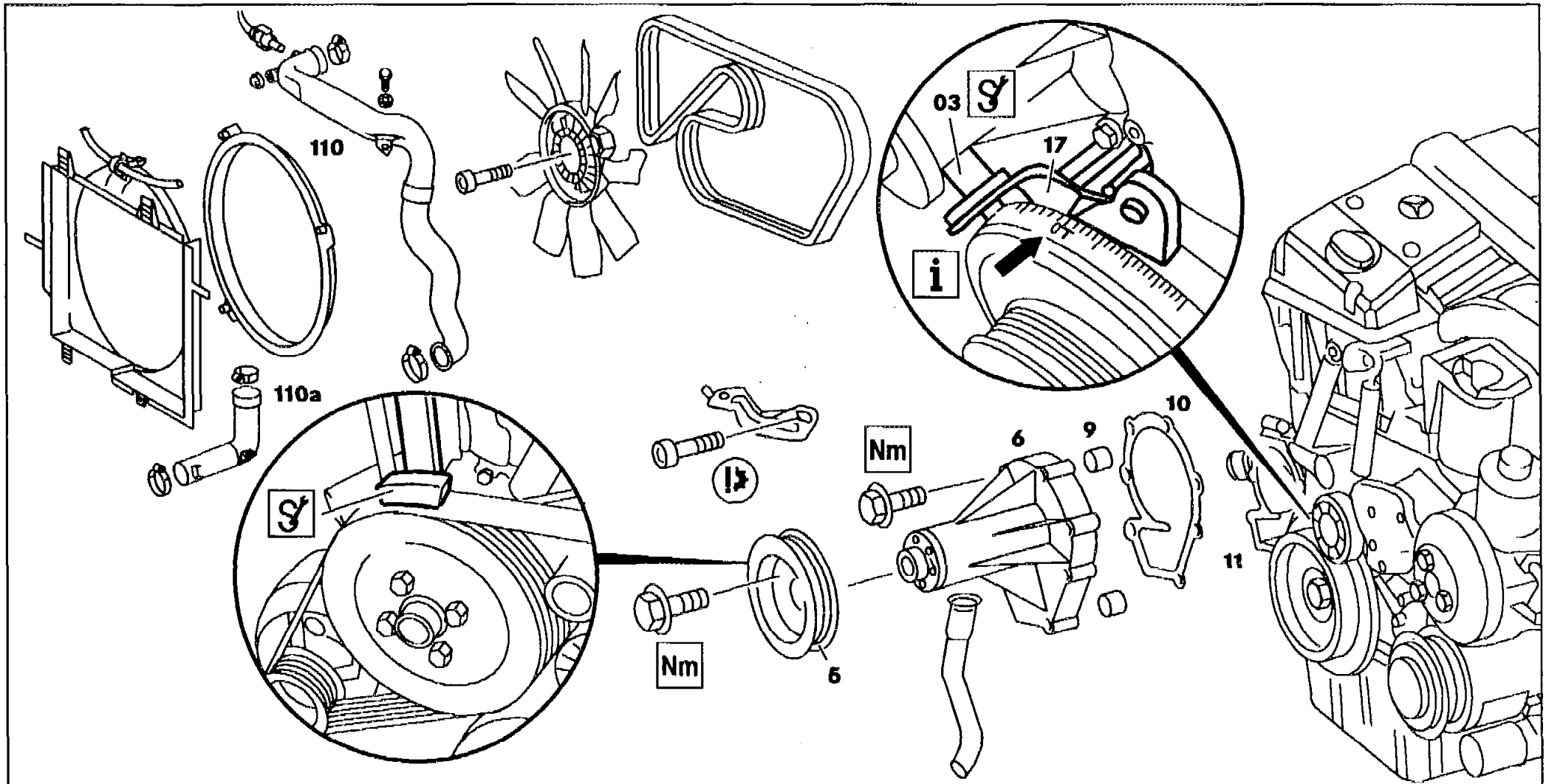
G7


AR20.10-P-1271HA








Removing and installing engine coolant pump

10.2.94

ENGINE 602.982, 604, 605, 606 / (except 606.964)



03	 Fixing device for TDC sensor bracket	9	Dowel sleeves	17	TDC sensor bracket
		10	Gasket	110	Charge air pipes
5	Coolant pump belt pulley	11	Coolant pump housing	110a	Charge air pipes
6	Coolant pump				

 	Removing, installing		
1	Drain coolant	 At radiator and crankcase	AR20.00-P-1142HW D6
2.1	Remove charge air pipes (110 and 110a)	Engine 605.960 in model 202 Engine 602.982, 605.962 in model 210	AR09.41-P-1311H
3	Remove viscous fan clutch	Engine 605, 606 in model 124 Engine 606.961 in model 140 Engine 605 in model 202 Engine 602.982, 605, 606 in model 210 Engine 604 in model 202, 210	AR20.40-P-5660HB J9 AR20.40-P-5660HA F9
4	Slacken bolts of belt pulley of coolant pump (5)	 Position counterholder against belt pulley of coolant pump (5)   Engine 604, 605, 606  Engine 602.982	603 589 00 40 00 BA20.10-P-1001-01A BA20.10-N-1001-01B
5	Remove poly V-belt		AR13.22-P-1202HA
6	Take off belt pulley of coolant pump (5)		



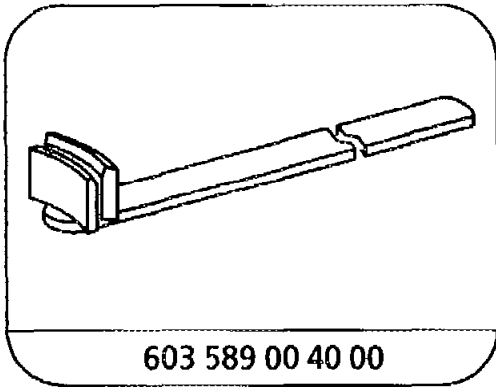
7	Position piston of cylinder 1 to TDC	<p>i Rotate engine at crankshaft.</p> <p>⚠ Do not crank engine backward.</p>	
8	Unbolt bracket of TDC sensor (17)	<p>i Removal on engines with TDC sensor bracket: mark installation position of TDC sensor bracket (17) with marking tool relative to timing case cover.</p> <p>i Installation: install TDC sensor (17) so that it is aligned with the installation marking.</p>	
9	Check setting of bracket of TDC sensor (17), correct if necessary		AR03.00-P-1101HA
10	Unbolt coolant pump (6) at coolant pump housing (11)	<p>i Installation: clean sealing surfaces. Replace gasket (10). Pay attention to dowel sleeves (9).</p> <p>Nm Engine 604, 605, 606</p> <p>Nm Engine 602.982</p>	<p>BA20.10-P-1002-01A</p> <p>BA20.10-N-1002-01B</p>
11	Install in the reverse order		
12	Fill cooling system		AR20.00-P-1142HW D6
13	Inspect cooling system for leaks		AR20.00-P-1010HA P5

**Nm** Coolant pump, coolant thermostat

Number	Designation	Engine 602.982/ 983
BA20.10-N-1001-01B	Bolts of belt pulley to coolant pump	Nm 15
BA20.10-N-1002-01B	Coolant pump to coolant pump housing	Nm 10

Nm Coolant pump, coolant thermostat

Number	Designation	Engine 604, 605, 606
BA20.10-P-1001-01A	Bolt of belt pulley to coolant pump	Nm 10
BA20.10-P-1002-01A	Bolt of coolant pump to coolant pump housing	Nm 10



603 589 00 40 00

Counterholder