

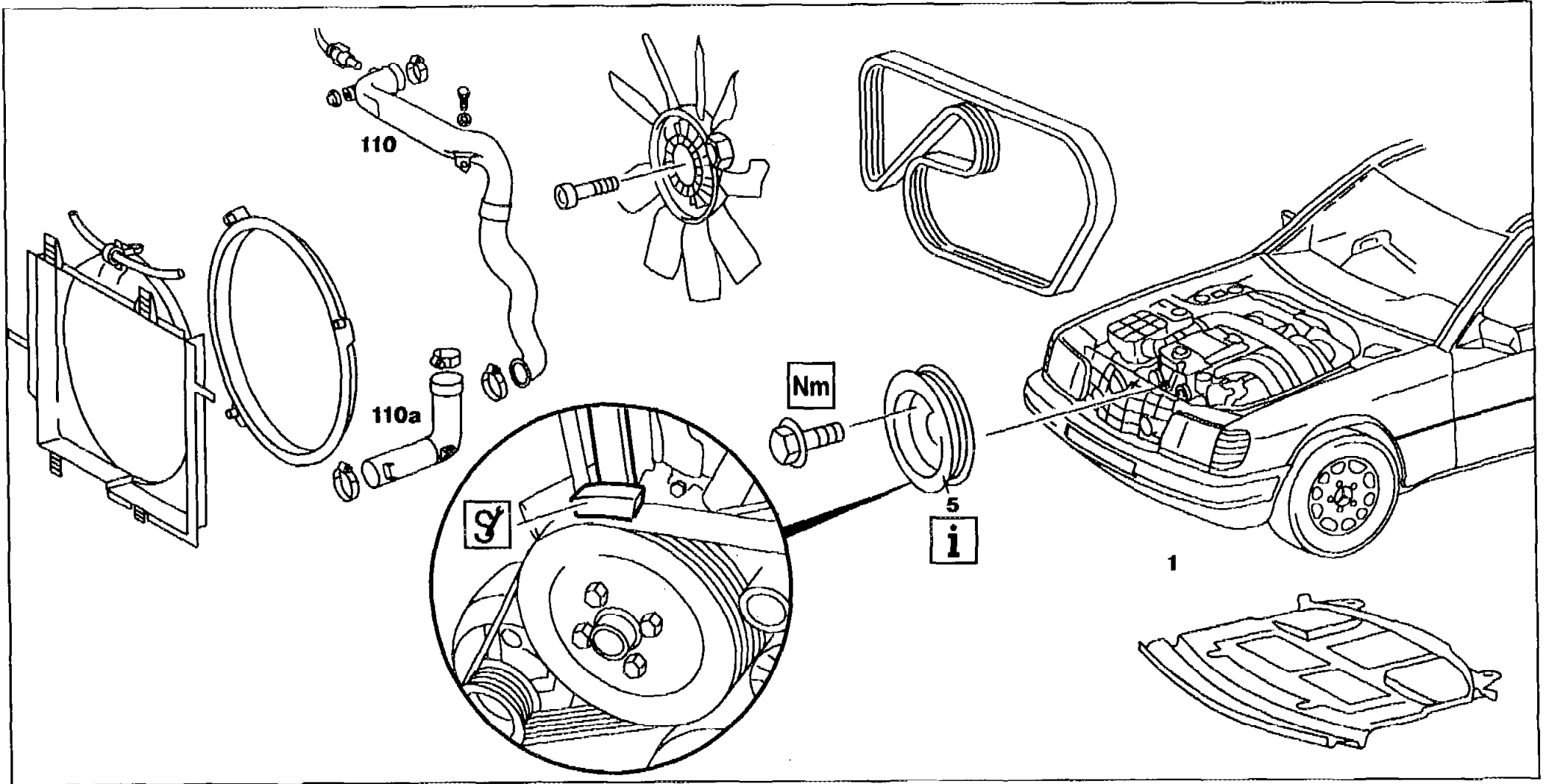
P6	AR20.10-P-1270HA	Removing, installing coolant pump housing	2.4.93
-----------	------------------	--	---------------

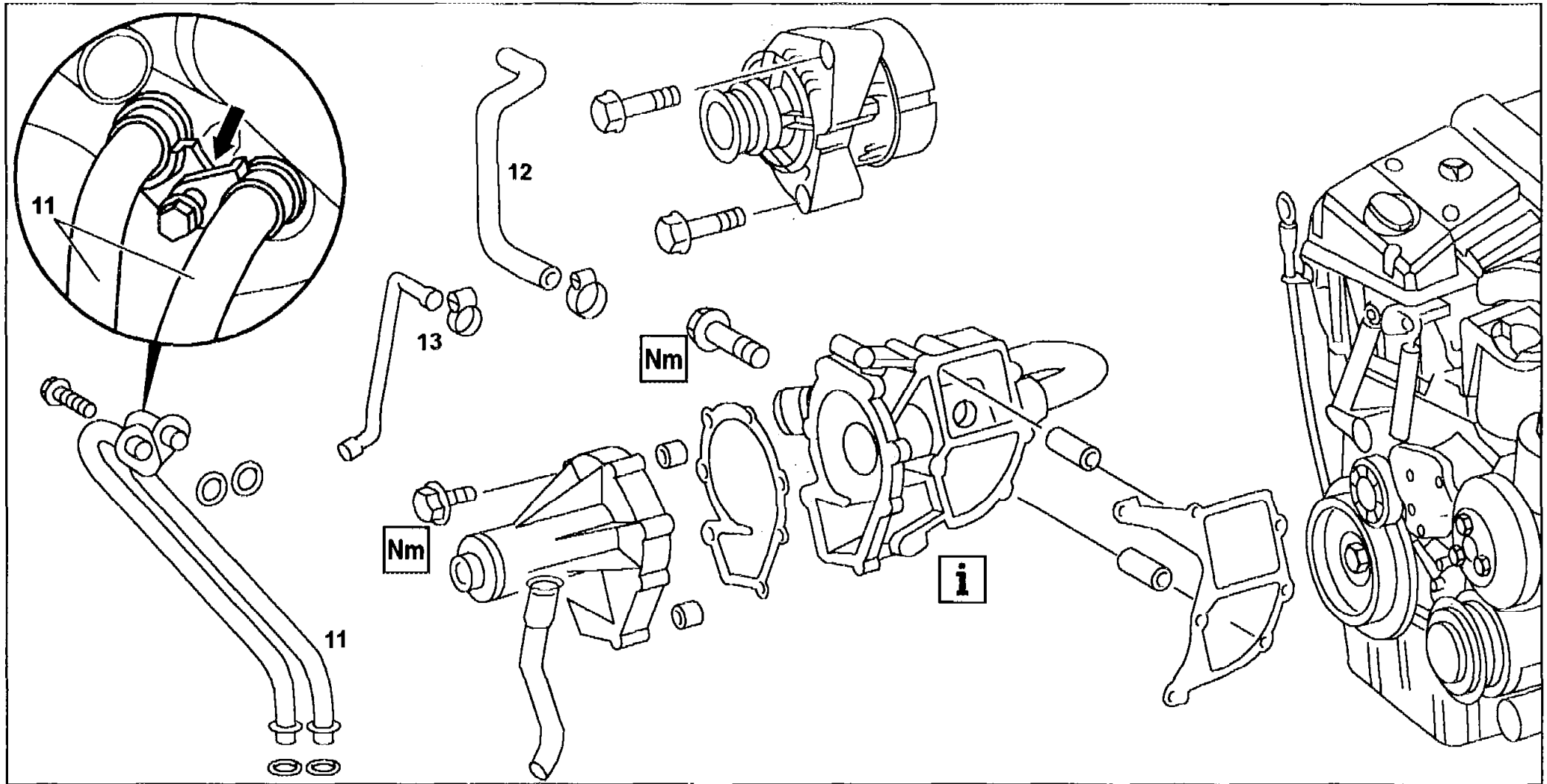
ENGINE 605, 606 in MODEL 124

ENGINE 606.961 in MODEL 140

ENGINE 604, 605 in MODEL 202

ENGINE 604, 605, 606.912 /962 in MODEL 210














P20.10-0240-09

	Removing, installing		
1	Disconnect ground cable of battery		AR54.10-P-0003A

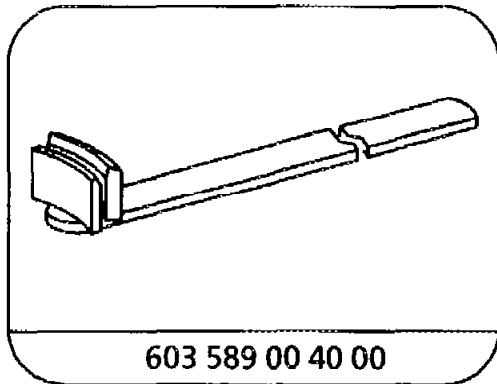
<p>⚠ Danger!</p> <p>2</p> <p>ⓘ</p>	<p>Risk of injury to skin and eyes from scalding from hot coolant which splashes out. Risk of poisoning from swallowing coolant.</p> <p>Drain coolant</p> <p>Notes on coolant</p>	<p>Do not open the cooling system unless the coolant temperature is below 90 °C. Open cap slowly and allow the pressure to release. Do not pour coolant into containers for drinks.</p> <p>Wear protective gloves, protective clothes, and eye protection.</p> <p>At radiator and crankcase</p> <p>All engines</p>	<p>AS20.00-Z-0001-01A</p> <p>J17</p> <p>AR20.00-P-1142HA</p> <p>AH20.00-N-2080-01A D17</p>
<p>3.1</p>	<p>Remove charge air pipes (110 and 110a)</p>	<p>Engine 605.960 in model 202</p>	<p>AR09.41-P-1311H</p>
<p>4</p>	<p>Remove viscous fan clutch</p>	<p>Engine 605, 606 in model 124</p> <p>Engine 606.961 in model 140</p> <p>Engine 605 in model 202</p> <p>Engine 605, 606 in model 210</p> <p>Engine 604 in model 202, 210</p>	<p>AR20.40-P-5660HB J9</p> <p>AR20.40-P-5660HA F9</p>
<p>5</p>	<p>Slacken bolts of belt pulley of coolant pump (5)</p>	<p>i Position counterholder against belt pulley of coolant pump (5)</p> <p>Ⓢ</p> <p>Nm</p>	<p>603 589 00 40 00</p> <p>BA20.10-P-1001-01A</p>
<p>6</p>	<p>Remove poly V-belt</p>	<p>ⓘ Inspect poly V-belt, belt pulley sections and tensioning device for signs of damage and dirt, replace if necessary ↓</p> <p>Inspect poly V-belt, typical damage</p>	<p>AR13.22-P-1202HA</p> <p>WH Band2 - 1351</p>

7	Take off belt pulley of coolant pump (5)		
8.1	Unbolt lines of oil-water heat exchanger (11) at coolant pump housing and remove	Model 124, model 202 up to 07.94 with oil-water heat exchanger at oil sump.  Installation: replace O-rings. Coat O-rings with coolant before installing; do not use engine oil. Pay attention to installation position (arrow) of line fixtures.	
9	Disconnect coolant hoses at coolant pump housing (12, 13)	 Inspect condition of coolant hoses and hose clips, replace if necessary  	WH58.30-Z-1001-06A WH58.30-Z-1002-06A
10	Remove generator	 Attach to side of vehicle with lines connected	
11	Remove coolant pump housing (16) together with coolant pump (17)	 Installation: clean sealing surfaces. Replace gasket (14). Pay attention to dowel sleeves (15). 	BA20.10-P-1003-01A
12	Unbolt coolant pump (17) at coolant pump housing (16)	 Installation: clean sealing surfaces. Replace gasket (10). Pay attention to dowel sleeves (9). 	BA20.10-P-1002-01A
13	Install in the reverse order		

<p>⚠ Danger!</p> <p>14</p>	<p>Risk of accident as a result of vehicle starting off when engine running. Risk of injury as a result of bruises and burns if you insert your hands into engine when it is being started or when it is running.</p> <p>Inspect cooling system for leaks</p>	<p>Secure vehicle to prevent it starting off. Wear closed and close-fitting work clothes. Do not grasp hot or rotating parts.</p> <p>i Run engine and inspect for leaks</p>	<p>AS00.00-Z-0005-01A G17</p> <p>AR20.00-P-1010HA P5</p>
<p>15</p>	<p>Read fault memory, erase</p>	<p>Stored faults which may be caused by disconnecting cables or by simulation when carrying out removal and installation or test work, have to be processed and erased in the fault memories after completing the work.</p> <p>Diagnosis Manual Volume 1.1, Index 0: Connecting and using test equipment</p>	

Nm Coolant pump, coolant thermostat

Number	Designation	Engine 604, 605, 606
BA20.10-P-1001-01A	Bolt of belt pulley to coolant pump	Nm 10
BA20.10-P-1002-01A	Bolt of coolant pump to coolant pump housing	Nm 10
BA20.10-P-1003-01A	Bolt of coolant pump housing to crankcase	Nm 10



603 589 00 40 00

Counter-holder

Commercially available tools

Number	Designation	Make (e.g.)	Order number
WH58.30-Z-1001-06A	6 mm socket wrench hexagon on flexible shaft for hose clips with worm drive	Hazet Güldenwerther Bahnhofstraße 25-28 D-42857 Remscheid	426-6
WH58.30-Z-1002-06A	7 mm socket wrench hexagon on flexible shaft for hose clips with worm drive	Hazet Güldenwerther Bahnhofstraße 25-28 D-42857 Remscheid	426-7