



M6

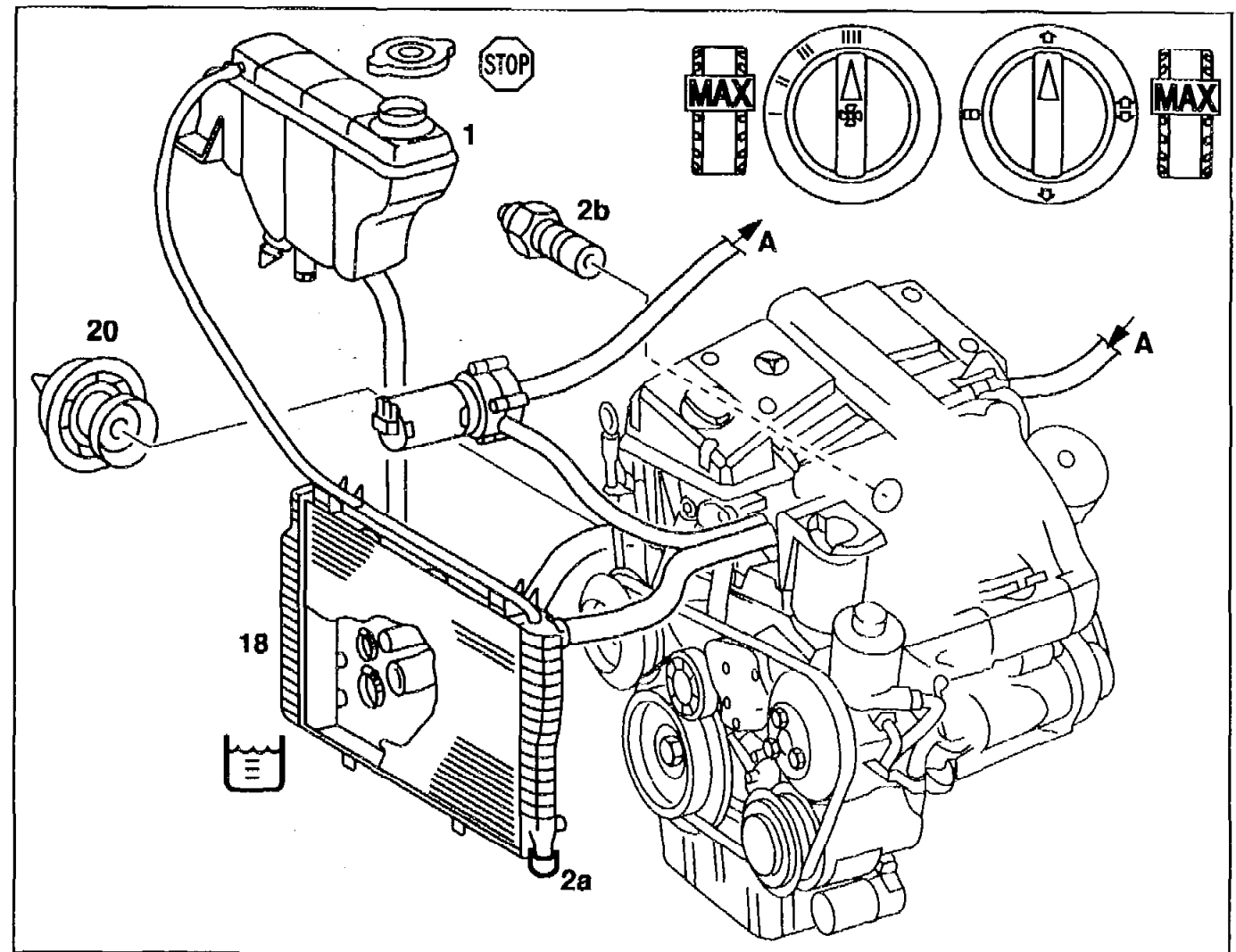
AR20.00-P-1250A

Removing oil in cooling and heating system






10.2.94

ENGINE 602.982, 604, 605
ENGINE 606 / (except , 606.964)

- 1 Expansion reservoir
- 2a Radiator drain plug
- 2b Crankcase drain plug
- 18 Radiator
- 20 Engine coolant thermostat
- A Heater supply or return





 	Removing, installing		
 !Danger!	Risk of injury to skin and eyes from scalding from hot coolant which splashes out. Kühlflüssigkeit. Risk of poisoning from swallowing coolant.	Do not open the expansion reservoir cap or radiator cap unless the coolant temperature is below 90°C. Unscrew cap carefully up to the first pre-indent or slowly approx. 1/2 turns. Wear protective clothes.	AS20.00-Z-0001-01A J17
1	Drain coolant	At radiator and crankcase	AR20.00-P-1142HW D6
2	Remove engine coolant thermostat		AR20.10-P-2460HA M7
	Deoiling		
3	Set heater control to full output		
4.1	Switch auxiliary heater to full output	Code 228	
5	Fill cooling and heating system with flushing solution	 Flushing solution with 5% cleaner and 95% water	BR00.45-Z-1001-04A
6	Allow engine to warm up to approx. 80°C at moderate speed and hold this temperature for approx. 5 minutes		
7	Switch off engine and allow cooling system to cool down to approx. 50°C		
8	Drain flushing solution completely	 Observe cleaner manufacturer's environmental protection regulations	

9	Fill cooling system with fresh water, allow to warm up for approx. 5 minutes and drain again		
10	Repeat work step 9		
11	Install in reverse order		
12	Remove and clean overflow reservoir	Engine 605.960	AR20.30-P-4540A D9
13	Check cooling system for leaks		AR20.00-P-1010HA P5

Cleaner

Number	Designation	Order number
BR00.45-Z-1001-04A	Cleaner with a cold-spray capability, e.g. P3 Neuproton 5226	Fa. Henkel