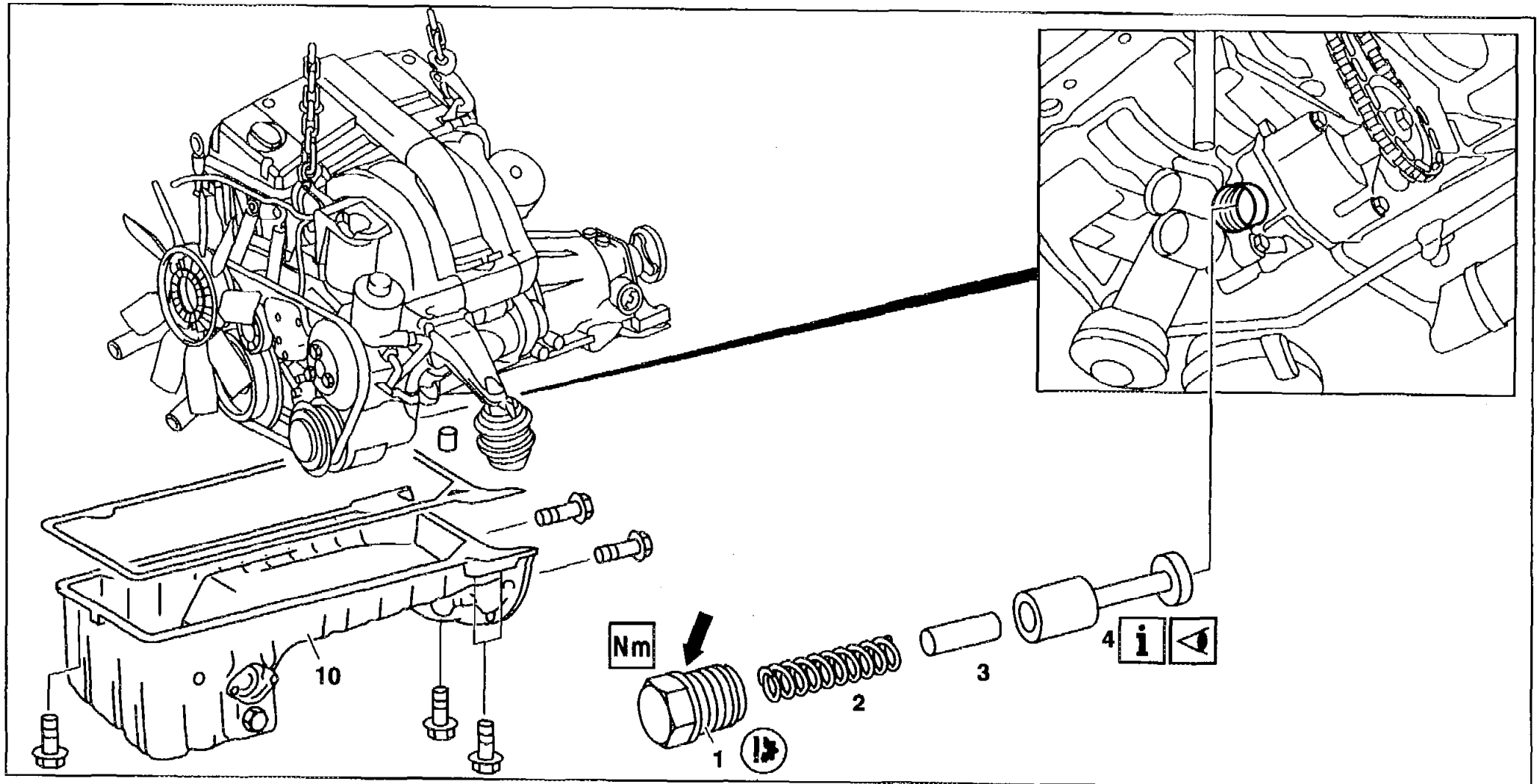


G2	AR18.10-P-5031HA	Removing and installing oil pressure relief valve	27.7.94
-----------	------------------	----------------------------------------------------------	----------------

ENGINE 602.982 /983,**604.910 #0 up to 117451,****604.910 #2 up to 25224,****604.912 #0 up to 40685,****604.912 #2 up to 13119,****604.915 #0 up to 740,****604.915 #2 up to 44,****604.917 #0 up to 589,****604.917 #2 up to 39,****605, 606 /**



P18.10-0218-09

1 Screw plug

2 Spring

3 Filler pin

4 Control plunger

10 Oil pan

Modification notes

10.1.98	Oil pump with press-fitted oil pump drive gear	see step 2	AR05.20-P-6020HG
---------	------------------------------------------------	------------	------------------

Nm Oil pump

Number	Designation	Engine
BA18.10-N-1003-01A	Screw plug of oil pressure relieve valve in oil pump	Nm 50 602.980/ 982/983/ 984/ 985

Nm Oil pump

Number	Designation	Engine
BA18.10-P-1003-01A	Screw plug of oil pressure relieve valve in oil pump	Nm 50 604, 605, 606