

M4

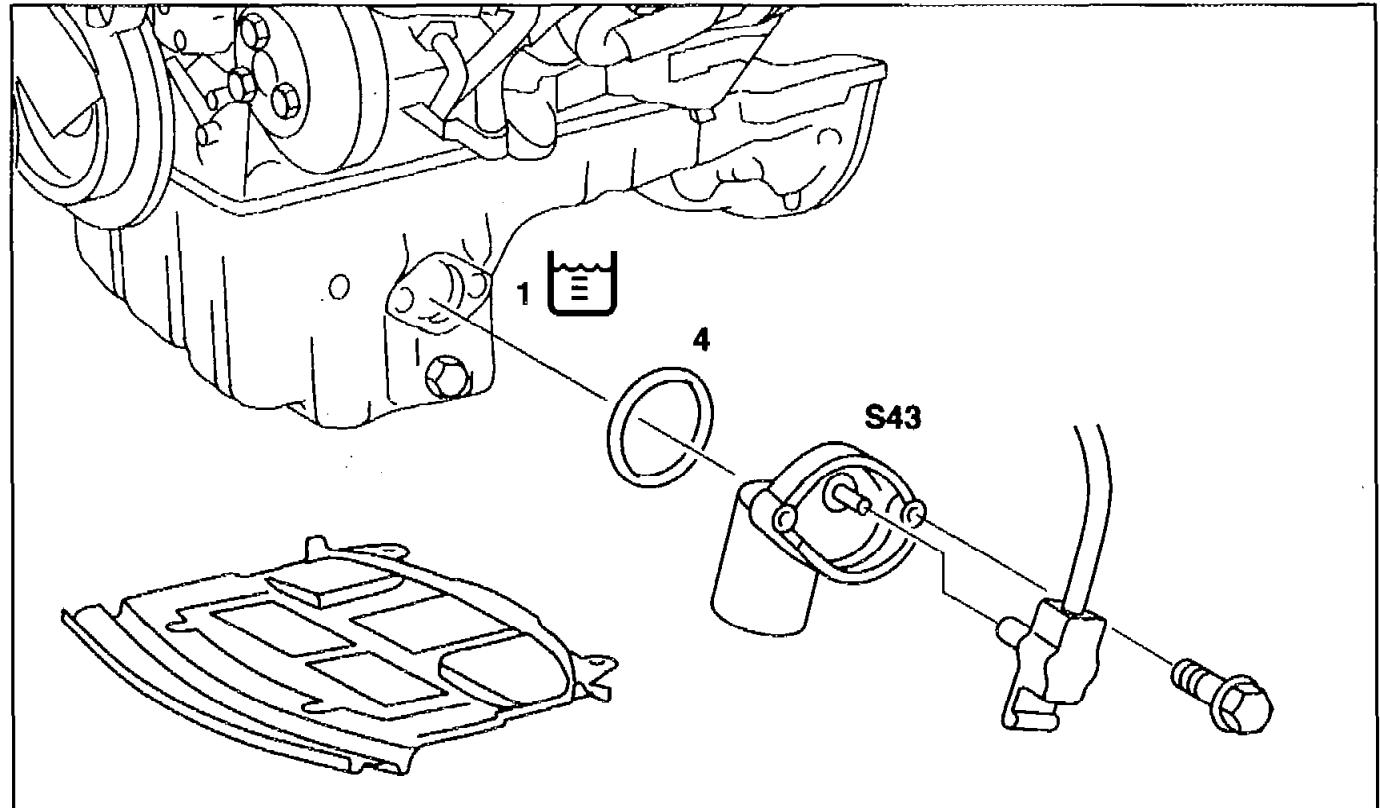
AR18.40-P-4111HA

Removing, installing oil level sensor

2.4.93

ENGINE 111, 602.982, 604, 605, 606 / (except , 606.964)

- 1 Engine oil
- 4 O-ring
- S43 Oil level sensor



P18.40-0210-05

Fig. item, etc.	Work instructions		
1	Engine oil	Partially extract or drain	
S43	Oil level sensor	Replace O-ring (4)	