



A3	AR18.20-P-3471HA	Removing, installing oil filter housing	2.4.93
-----------	------------------	--	---------------

ENGINE 605, 606 in MODEL 124

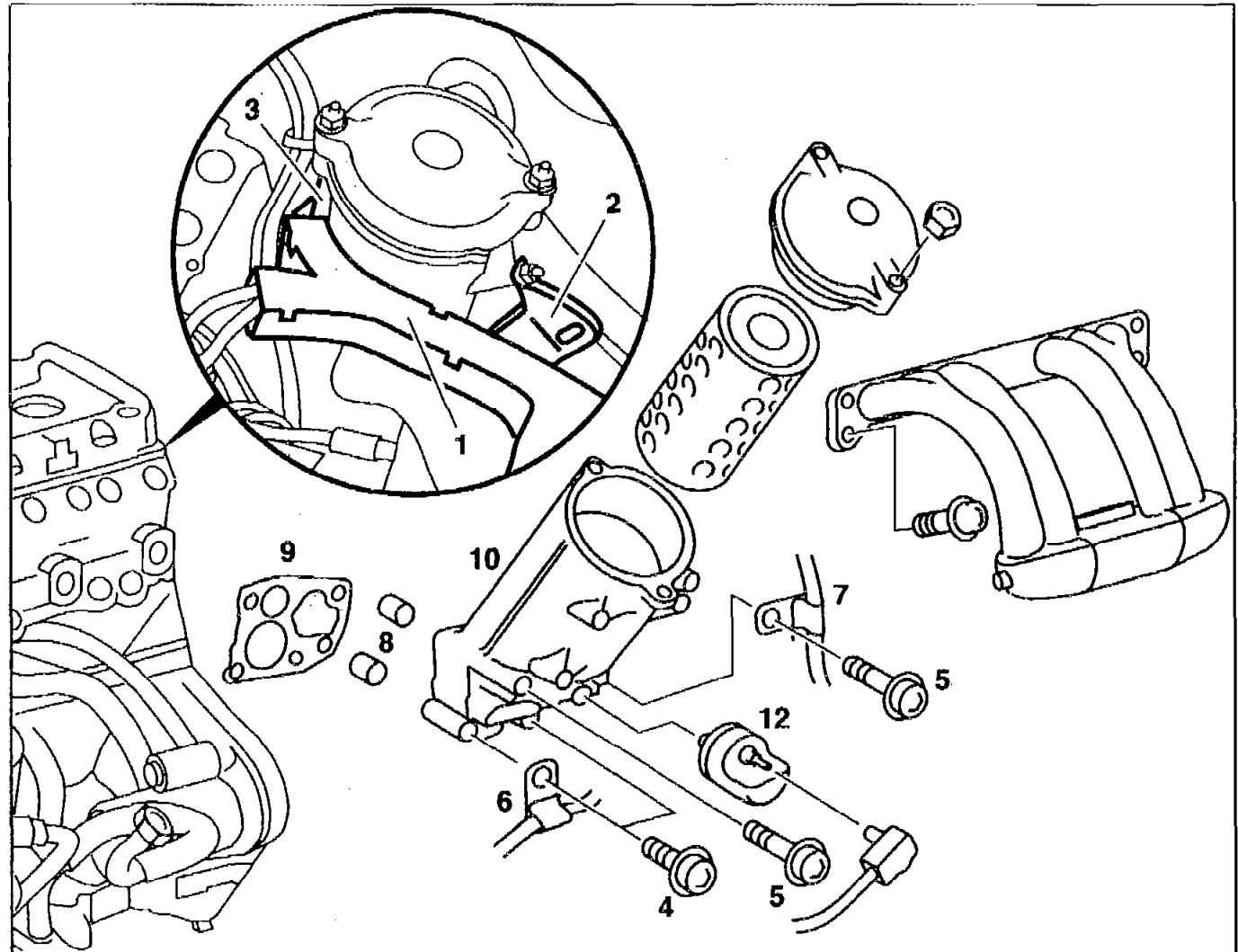
ENGINE 606.961 in MODEL 140

ENGINE 604, 605 in MODEL 202

ENGINE 604, 605, 606.912 /962 in MODEL 210

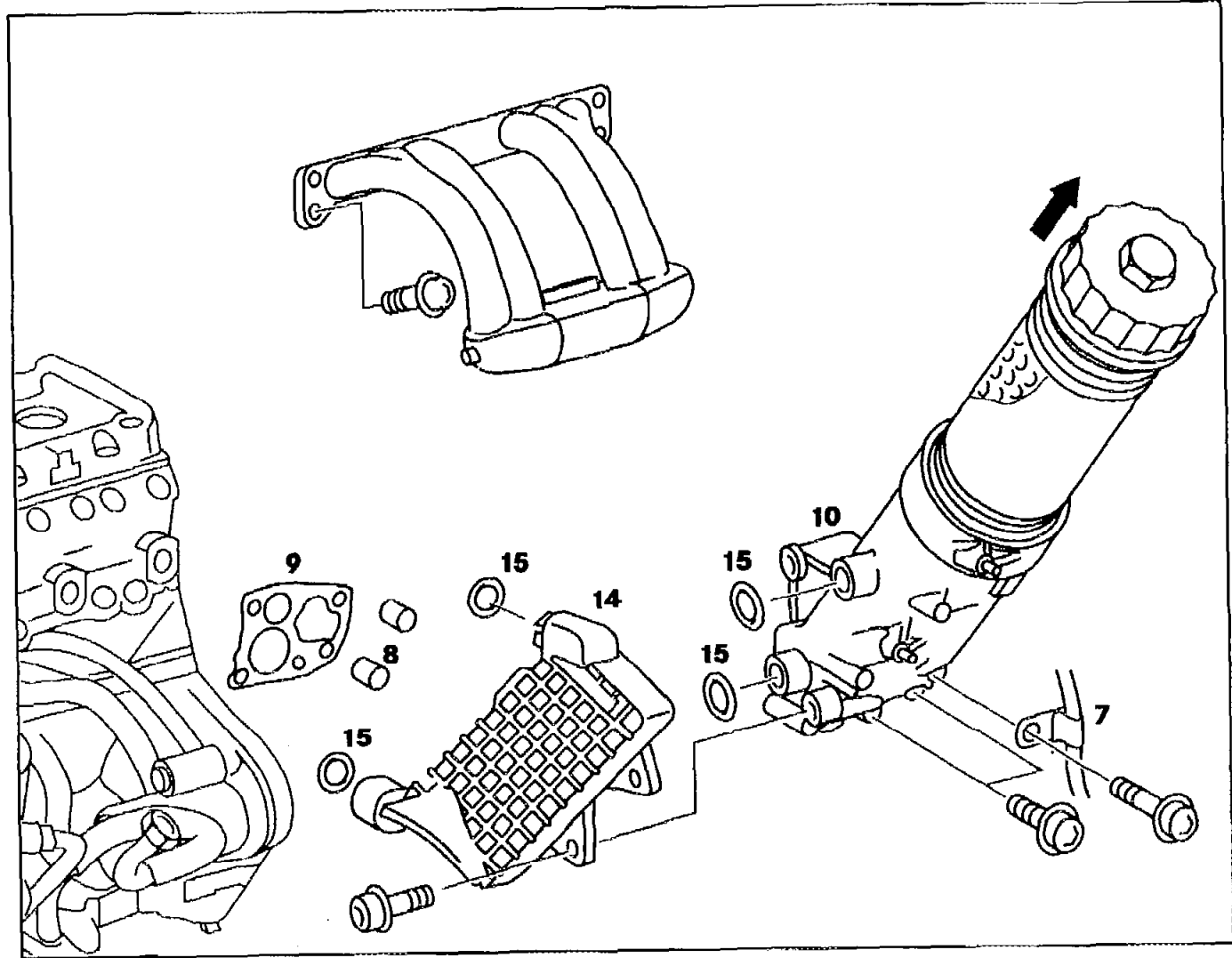
Models 124, 202 without oil-water heat exchanger at oil filter

- 1 Cable duct of engine wiring harness
- 2 Bracket of intake manifold support
- 3 Bracket of cable duct at oil filter
- 4 Hexagon socket bolt + washer
M8×40
- 5 Hexagon socket bolt + washer
M8×100
- 6, 7 Bracket of electric cable
- 8 Dowel sleeves
- 9 Gasket of oil filter
- 10 Oil filter housing
- 12 Oil pressure sensor (model 124)



**Model 202, 210 with oil-to-water
heat exchanger at oil filter**

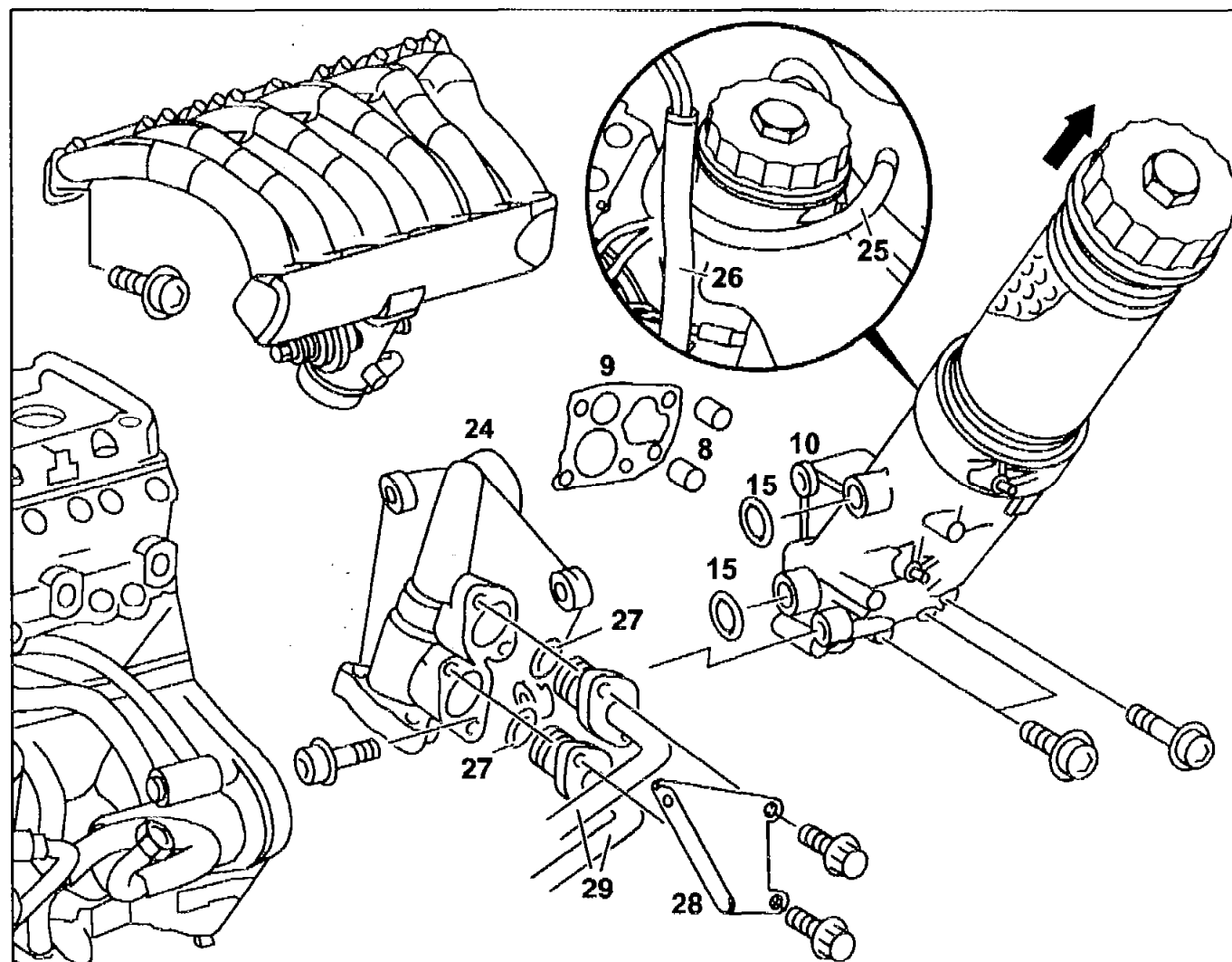
- 7 Bracket of electric cable
- 8 Dowel sleeves
- 9 Oil filter gasket
- 10 Oil filter housing
- 14 Oil-to-water heat exchanger
- 15 O-rings





Engine 606.961/962
Oil filter housing with connector for engine oil cooler lines

- 8 Dowel sleeves
- 9 Oil filter gasket
- 10 Oil filter housing
- 15 O-rings
- 24 Connector for engine oil cooler lines
- 25 Coolant pipe
- 26 Cable duct



P18.20-0240-06

	<p>Removing, installing</p>		
<p>1</p>	<p>Disconnect ground cable of battery</p>		<p>AR54.10-P-0003A</p>



2.1	Remove intake manifold	Engine 604, 605.91	AR09.20-P-1310H
3.1	Remove variable resonance intake manifold	Engine 606.912	AR09.20-P-1961H
4.1	Remove charge air distribution pipe	Engine 605.960/962 Engine 606.961/962	AR09.41-P-1310H AR09.41-P-1310HA
5	Drain engine oil from oil filter	i Remove oil filter element, install so that engine oil flows off into the oil sump	AP18.00-P-0101AA
6	Unbolt engine cooler lines (29) and connector (24)	Engine 606.961/962 i Removal: collect the remaining oil which flows out. i Installation: inspect O-ring (27) and replace if necessary.	
7.1	Remove bracket (28) for exhaust gas recirculation pipe	Engine 606.961/962	
8.1	Drain coolant	Model 124, 202, 210 with oil-water heat exchanger at oil filter	AR20.00-P-1142HA
9.1	Disconnect electric cables on intake manifold side at cylinder head	Model 124, 202	
10.1	Unbolt cable duct of engine wiring harness (1) at oil filter in cylinder head and push away from oil filter	Model 124, 202	



11.1	Unbolt cable duct of engine wiring harness (26) and coolant pipe (25) at oil filter housing	Engine 606.961/962	
12.1	Unplug crankshaft position sensor	Engine 606.961/962	
13.1	Unbolt bracket for intake manifold support (2) at oil filter	Model 124, 202 and model 210 with engine 605 i Do not tighten bolts until after installing intake manifold	
14.1	Unbolt connector (24) for engine oil cooler lines	Engine 606.912/962 i Installation: inspect O-rings (15) and replace if necessary	
15.1	Remove starter	i On engines where bottom bolt of oil filter housing is not accessible because of starter	AR15.30-P-7100EB
16	Remove oil filter housing (10)	i Installation: model 124, 202, pay attention to bracket for electric cables of starter ring gear speed sensor and crankshaft position sensor (6, 7) ! Pay attention to dowel sleeves (8). Clean gasket residues off sealing surface. Replace gasket (9).	



17.1	Unbolt oil-water heat exchanger (14) at oil filter	Model 124, 202, 210 with oil-water heat exchanger at oil filter i Installation: inspect O-rings (15) and replace if necessary	
18	Install in the reverse order		
19	Inspect engine oil level and adjust to correct level		