





D4

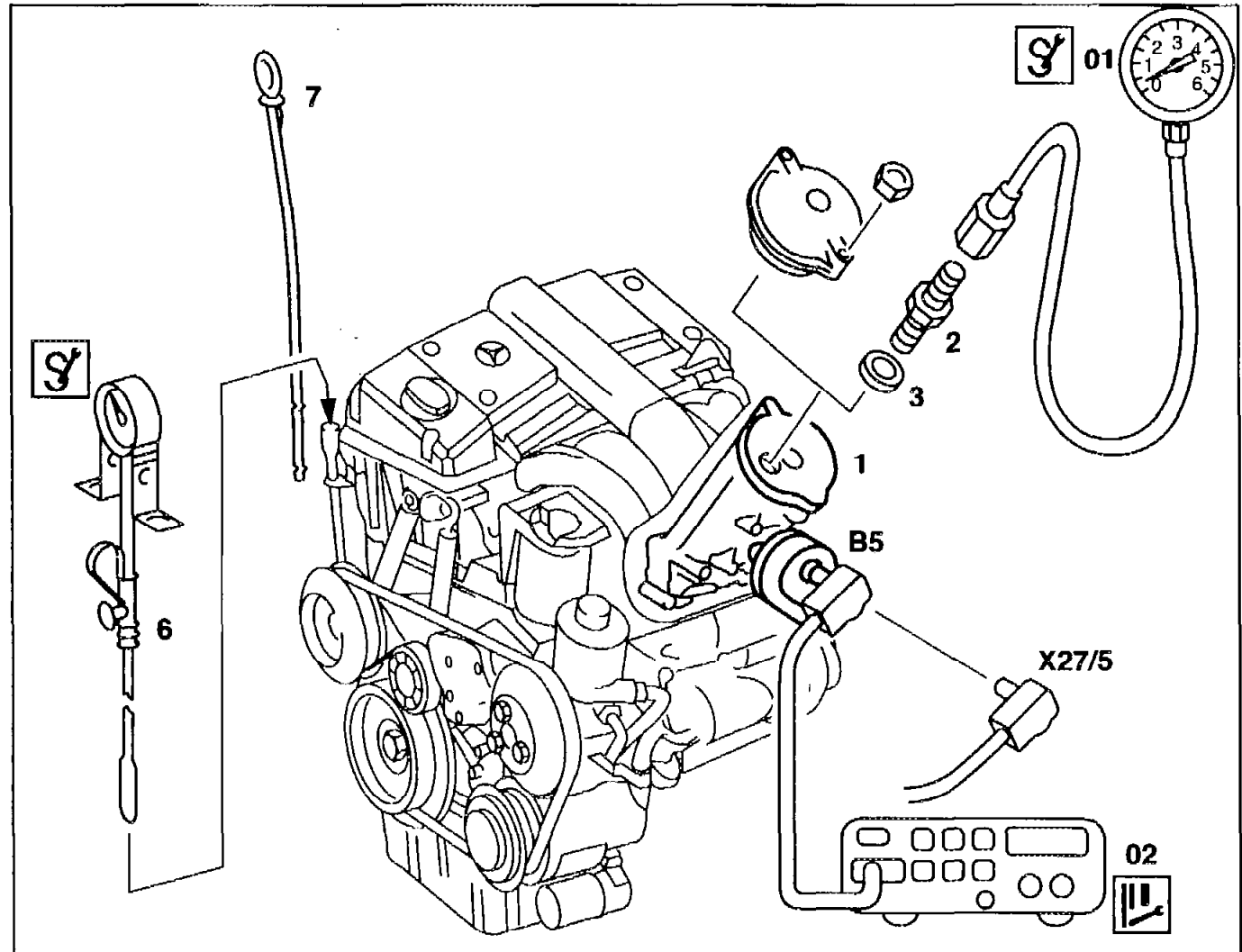
AR18.40-P-1251A







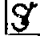
Testing oil pressure sensor

10.2.94

**ENGINE 605, 606
in MODEL 124**

- 01  Oil pressure gauge
- 02  Resistance tester
- 1 Oil filter cap in connection bore
(shop-made tool)
- 2  Pipe union
- 3 Seal 12×17
- 6  Remote thermometer
- 7 Dipstick
- B5 Oil pressure sensor
- X27/5 Connector of oil pressure sensor



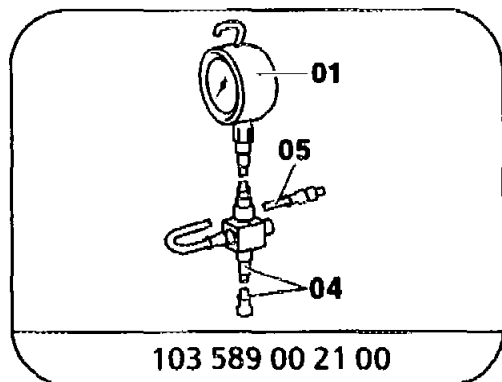
	Removal, installation		
1	Warm engine up to normal operating temperature (approx. 80 °C)		
2  WF	Install oil filter cap (1) for oil pressure gauge connection Oil filter cap with connection bore for measuring oil pressure		WF58.50-P-1840-01A D18
3	Connect oil pressure gauge (01) with pipe union (2) to oil filter cap (1)	  	103 589 00 21 00 WH58.30-Z-1026-05A WH58.30-Z-1020-05A
4	Connect resistance tester (02) to oil pressure sensor (B5)		WH58.30-Z-1001-09A
	Testing		
5	Inspect engine oil level	Adjust to correct level if necessary	
6	Connect remote thermometer (6)	 Guide temperature sensor through dipstick guide tube into the engine oil	124 589 07 21 00



<p>⚠ Danger!</p> <p>7</p>	<p>Risk of accident as a result of vehicle starting off when engine running. Risk of injury as a result of bruises and burns if you insert your hands into engine when it is being started or when it is running.</p> <p>Test resistances of oil pressure sensor</p>	<p>Secure vehicle to prevent it starting off. Wear closed and close-fitting work clothes. Do not grasp hot or rotating parts.</p> <p>Warm up engine to operating temperature (approx. 80 °C)</p> <p>Test resistances as a function of oil pressure measured. Replace oil pressure sensor if necessary.</p>	<p>AS00.00-Z-0005-01A G17</p> <p>BE18.40-P-1001-01A</p>
<p>8</p>	<p>Install in the reverse order</p>		

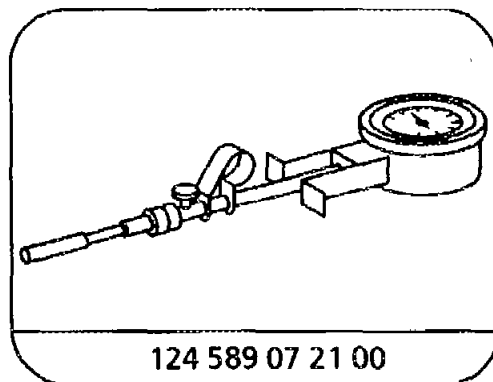
Oil pressure sensor

Number	Designation			Engine 605, 606 in model 124
BE18.40-P-1001-01A	If oil pressure	0.0 bar	resistance in Ω	10 + 3/-5
		0.5 bar	resistance in Ω	40 + 5/-6
		1.0 bar	resistance in Ω	70 + 6/-7
		1.5 bar	resistance in Ω	100 + 7/-8
		2.0 bar	resistance in Ω	130 + 8/-9
		2.5 bar	resistance in Ω	157 + 9/-10
		3.0 bar	resistance in Ω	185 + 10/-11



103 589 00 21 00

Oil pressure gauge



124 589 07 21 00

Remote thermometer

Commercially available tools

Number	Designation	Make (e.g.)	Order number
WH58.30-Z-1026-05A	Pipe union M12×1.5 for oil pressure gauge		915 006 004 002 (DIN)
WH58.30-Z-1020-05A	Adapter fitting M10x1 – M12×1.5 for oil pressure gauge		915 007 004 001 (DIN)
WH58.30-Z-1001-09A	Multimeter	Sun DMM-5, Fluke 23 DB, 83, 88, ITT Metrix MX 47, 50, 51, 52	