

F1	AR18.00-P-1250A	Testing oil pressure	10.2.94
----	-----------------	----------------------	---------




**ENGINE 605, 606 in MODEL 124**

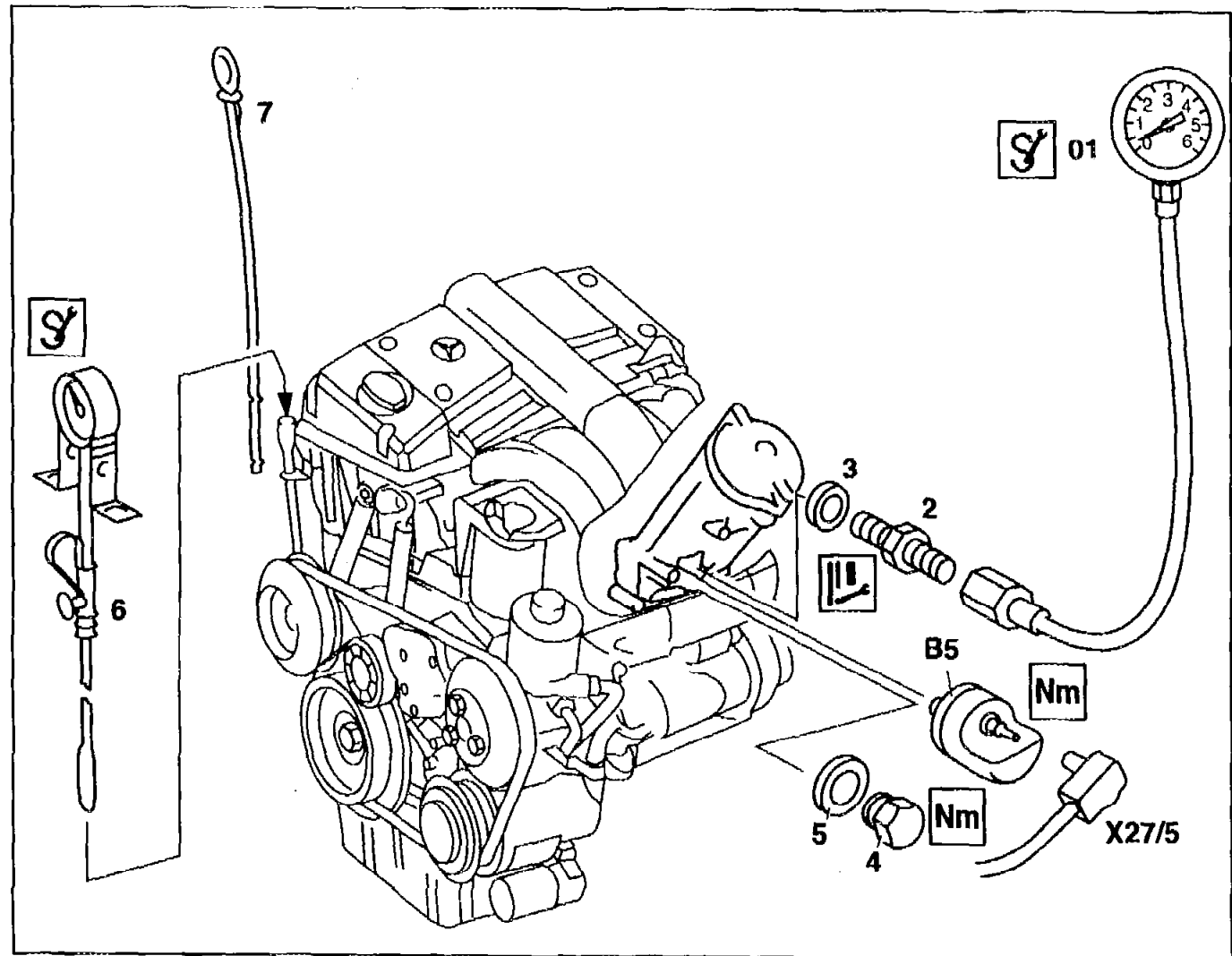
**ENGINE 604, 605 in MODEL 202**

**ENGINE 605.962, 606.962 in MODEL 210**




**ENGINE 606.964 in MODEL 463**

Shown on engine 604

- 01  Oil pressure gauge
- 2  Connection fitting
- 3 12×17 seal
- 4 Screw plug (engine 604/605 in model 202, engine 605.962, 606.962 in model 210, engine 606.964 in model 463)
- 5 Seal
- 6  Remote thermometer
- 7 Dipstick
- B5 Oil pressure sensor (engine 605/606 in model 124)
- X27/5 Oil pressure sensor connector



P18.40-0208-06

 	<b>Removal, installation</b>		
1.1	Remove oil pressure sensor (B5)	 Engine 605, 606 in model 124	BA18.40-P-1001-01A



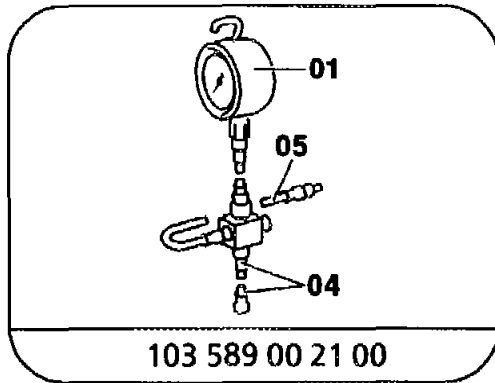
1.2	Remove screw plug (4) together with seal (5) at oil filter housing	Engine 604, 605 in model 202, Engine 605.962, 606.962 in model 210, 606.964 in model 463	BA18.40-P-1002-01A
2	Connect oil pressure gauge (01) with connection fitting (2) to oil filter	  	103 589 00 21 00 WH58.30-Z-1026-05A WH58.30-Z-1020-05A
	<b>Testing</b>		
3	Check engine oil level	Adjust to correct level, if necessary.	
4	Connect remote thermometer (6)	Insert temperature sensor through dipstick guide tube into engine oil.	124 589 07 21 00
<b>Danger!</b>	<b>Risk of accident</b> as a result of vehicle starting off when engine running. <b>Risk of injury</b> as a result of bruises and burns if you insert your hands into engine when it is being started or when it is running.	Secure vehicle to prevent it starting off. Wear closed and close-fitting work clothes. Do not grasp hot or rotating parts.	AS00.00-Z-0005-01A <b>G17</b>
5	Start engine, measure oil pressure	Warm up engine to normal operating temperature (about 80 °C).  When accelerator depressed, oil pressure must rise instantly.	BE18.00-P-1001-01A BE18.00-P-1002-01A
6	Install in the reverse order		

**Test data of oil pressure**

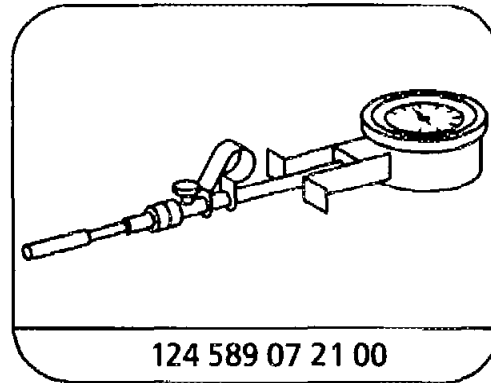
Number	Designation	Engine 604, 605, 606
BE18.00-P-1001-01A	Oil pressure at operating temperature engine idling	bar $\geq 0.3$
BE18.00-P-1002-01A	Oil pressure at operating temperature	bar $\geq 3.0$
		rpm 3000

**Nm Oil level, oil pressure sensor**

Number	Designation	Engine 604, 605, 606
BA18.40-P-1001-01A	Electric oil pressure sensor to oil filter	Nm 15
BA18.40-P-1002-01A	Screw plug to crankcase	Nm 20



Oil pressure gauge



Remote thermometer

**Commercially available tools**

Number	Designation	Make (e.g.)	Order number
WH58.30-Z-1026-05A	M12×1.5 connection fitting for oil pressure gage		915 006 004 002 (DIN)
WH58.30-Z-1020-05A	M10×1 – M12×1.5 connection fitting for oil pressure gage		915 007 004 001 (DIN)