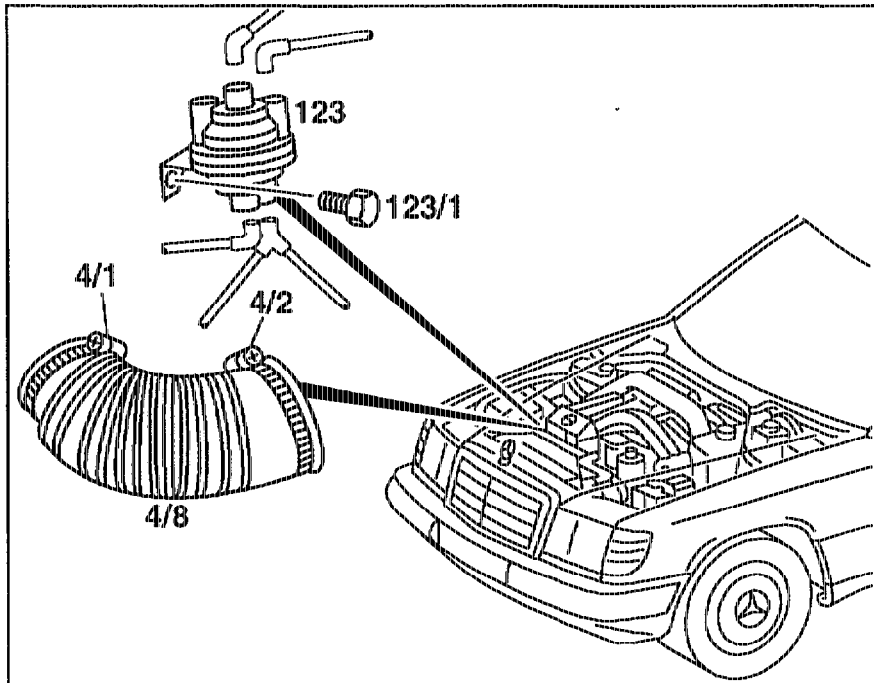


Operation no. of operation texts and work units or standard texts
and flat rates:
14-7631



P07-6406-35

- | | |
|---|--|
| Shaped hose (4/8) between air cleaner and vacuum control flap housing | remove, install. To do this, slacken hose clips (4/1, 4/2), tighten. |
| Vacuum lines at vacuum amplifier (123) | pull off, fit on. |
| Note | |
| Pay attention to connection of vacuum lines (07.1-0005). | |
| Vacuum amplifier (123) | remove, install. To do this, unscrew bolts (123/1), screw in. |