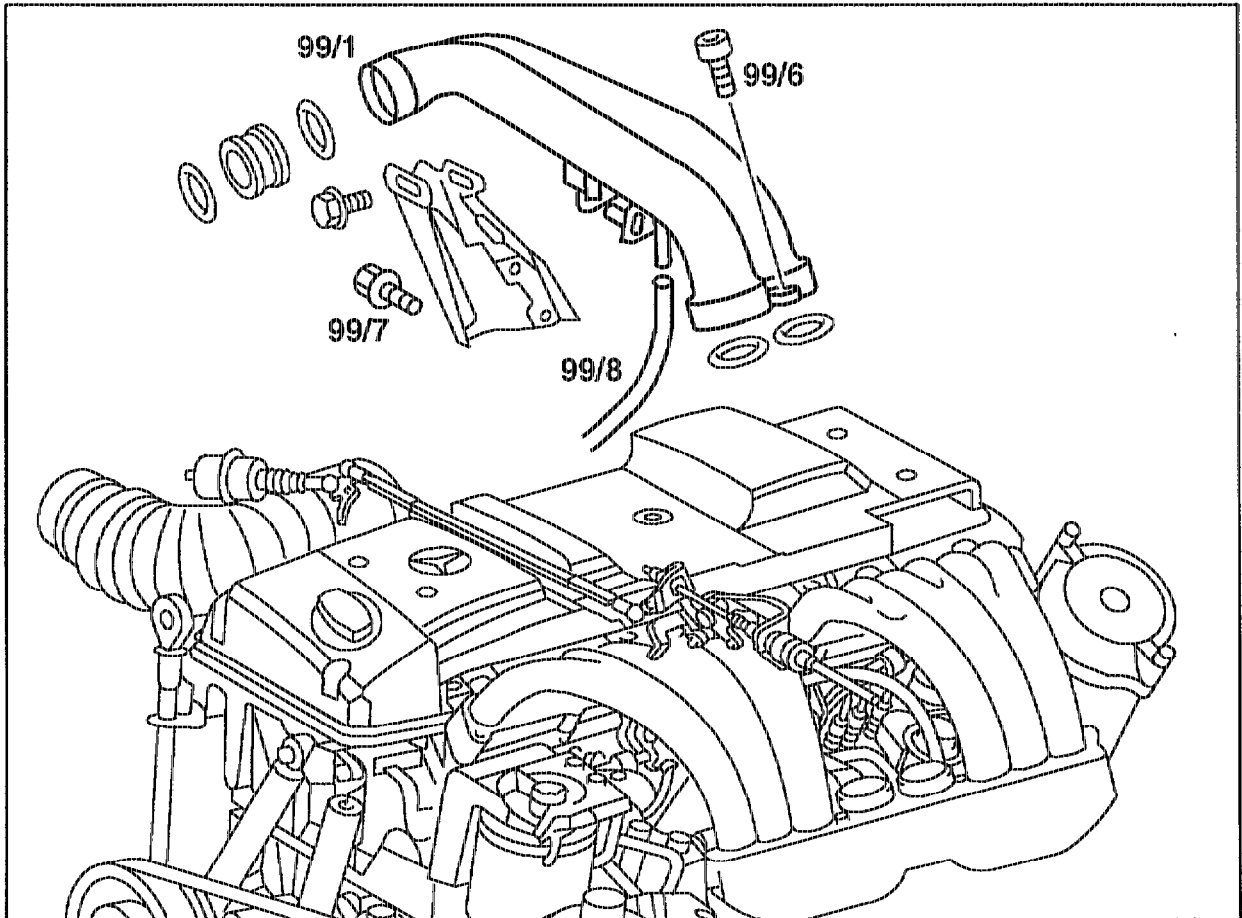


14-1984 Removing and installing resonance intake line

Operation no. of operation texts and work units or standard texts
and flat rates:
14-1984

Engine 606.910



P14-5144-57

Bolt (99/6) at resonance intake manifold	unscrew, screw in.
Bolts (99/7) at bracket of resonance intake line	unscrew, screw in.
Vacuum line (99/8) of vacuum unit of resonance intake flap	detach, fit on. To do this, raise resonance intake line, place down.

Resonance intake line (99/1) remove, install. Examine O-rings at intermediate piece of vacuum control flap housing/resonance intake line and resonance intake line/resonance intake manifold, replace if necessary.

Installation note

Insert O-rings with hot lubricating paste, part no. 000 989 76 51.

Note

Bracket of resonance intake line modified.

Production breakpoint: as of August 1993

Model	Engine	Engine end no. manual transmission	Engine end no. automatic transmission
124.131/191	606.910	001362	001329