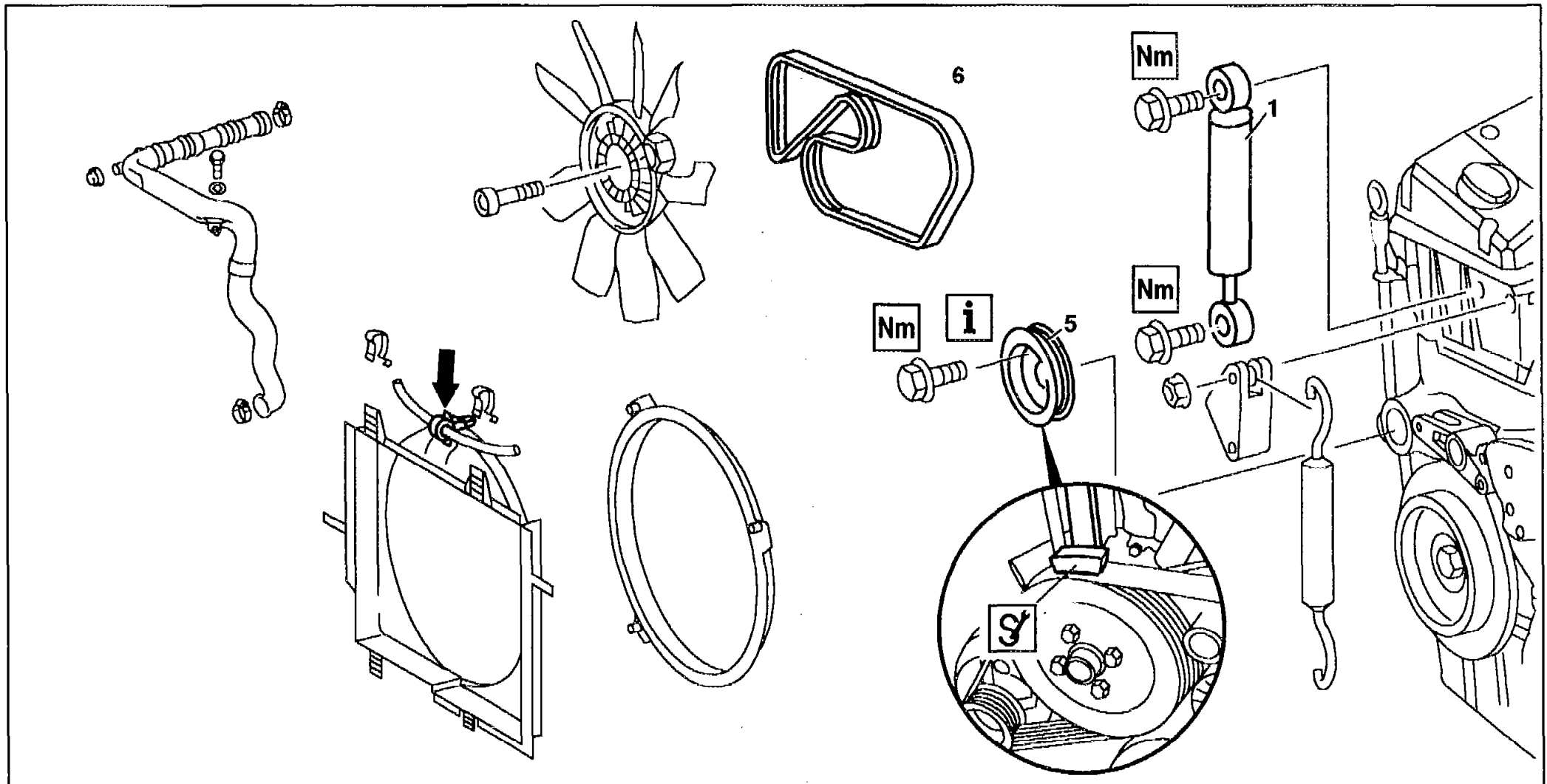


N7 AR13.25-P-3210HA **Removing, installing shock absorber of poly V-belt tensioning device**

10.2.94

ENGINE 602.982 /983, 604, 605, 606







P13.25-0220-09

1 Shock absorber

5 Belt pulley of coolant pump

6 Poly V-belt



☒ ☒	Removal, installation		
1.1	Remove charge air pipe	Engine 605.960 in model 202, engine 602.982, 605.962 in model 210	AR09.41-P-1311H
2	Remove viscous fan coupling	<p>Engine 605, 606 in model 124 Engine 606.961 in model 140 Engine 605 in model 202 Engine 602.982, 605, 606 in model 210</p> <p>Engine 604 in model 202, 210</p>	<p>AR20.40-P-5660HB</p> <p>AR20.40-P-5660HA</p>
		Engine 606 in model 463	AR20.40-P-5660GG
		Engine 602.983 in model 461	AR20.40-P-5660GV
3	Remove poly V-belt (6)		AR13.22-P-1202HA B7
4	Belt pulley (5) of coolant pump	<p> In order to slacken the bolts, fit on poly V-belt at belt pulley and place counter-holder in position.</p> <p> Engine 604, 605, 606</p> <p> Engine 602.9827983</p>	<p>603 589 00 40 00</p> <p>BA20.10-P-1001-01A</p> <p>BA20.10-N-1001-01B</p>
5	Shock absorber (1) of poly V-belt tensioning device	<p> Installation: before installing a new shock absorber, it is essential to move piston rod of shock absorber back and forward several times in installation position to bleed shock absorber.</p>	



		Nm Engine 604, 605, 606 Nm Engine 604, 605, 606 Nm Engine 602.982 Nm Engine 602.982/983	BA13.25-P-1003-01A BA13.25-P-1004-01A BA13.25-N-1003-01B BA13.25-N-1004-01B
6	Install in the reverse order		

Nm Belt tensioning device

Number	Designation	Engine 604, 605, 606
BA13.25-P-1003-01A	Shock absorber of tensioning device to cylinder head	Nm 25
BA13.25-P-1004-01A	Shock absorber of tensioning device to tensioning lever	Nm 20

Nm Coolant pump, coolant thermostat

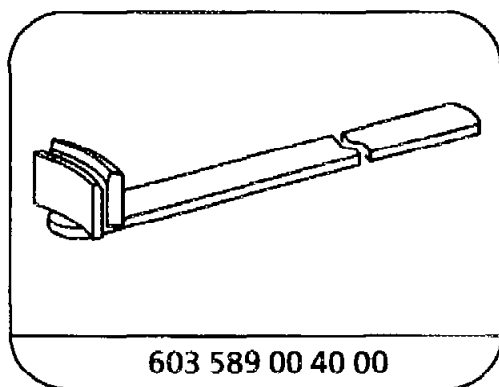
Number	Designation	Engine 604, 605, 606
BA20.10-P-1001-01A	Boit of belt pulley to coolant pump	Nm 10

**Nm** Coolant pump, coolant thermostat

Number	Designation	Engine 602.982/98 3
BA20.10-N-1001-01B	Bolt of belt pulley to coolant pump	Nm 15

Nm Belt tensioning device

Number	Designation	Engine 602.982/98 3
BA13.25-N-1003-01B	Shock absorber to cylinder head	Nm 25
BA13.25-N-1004-01B	Shock absorber to tensioning lever	Nm 20



603 589 00 40 00

Counter-holder