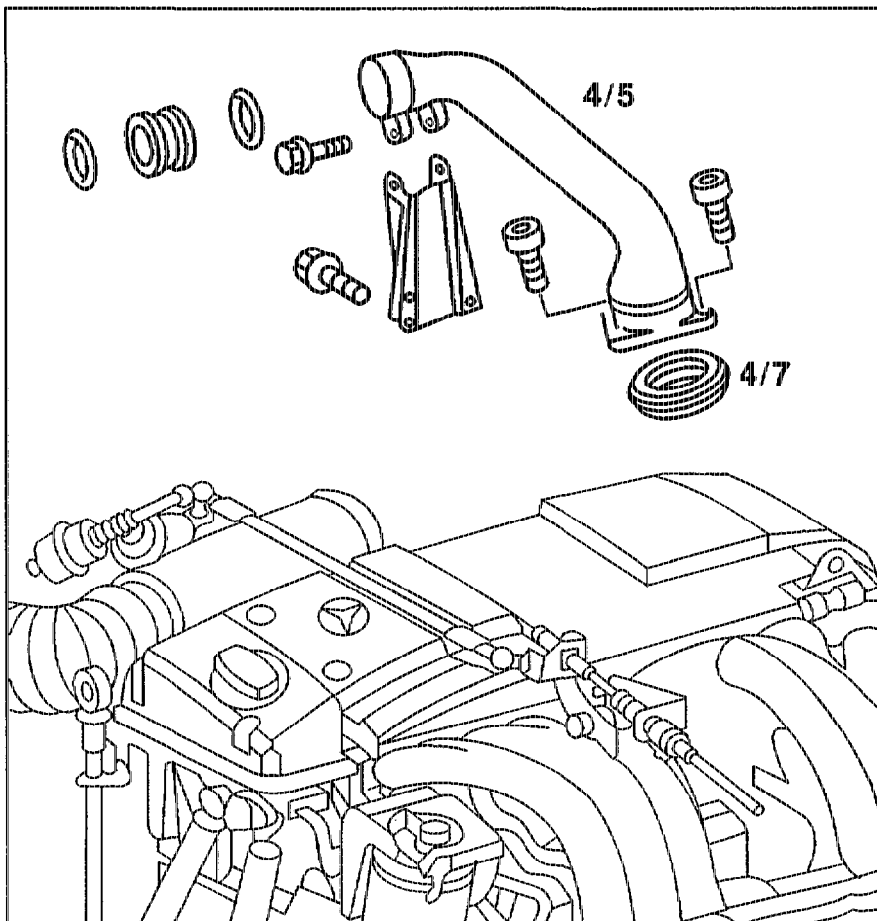


09-8031 Removing and installing air cleaner cross pipe

Operation no. of operation texts and work units or standard texts and flat rates:
09-8031

Engine 605.911



P09-5063-37

- | | |
|---|---|
| Bolts on intake manifold | unscrew, screw in. |
| Bolts if intake manifold bracket at cylinder head | unscrew, screw in. |
| Air cleaner cross pipe (4/5) | take off, insert. Check boot (4/7) and O-rings at intermediate piece of pressure control flap housing/air cleaner cross pipe, replace if necessary. |

Installation note

Insert O-rings with hot lubricating paste 000 989 76 51.

Note

Bracket of intake manifold modified.

Production breakpoint: as of August 1993

Model	Engine	Engine end no. manual transmission	Engine end no. automatic transmission
124.104/107/126/129/ 186	605.911	002780	000958

