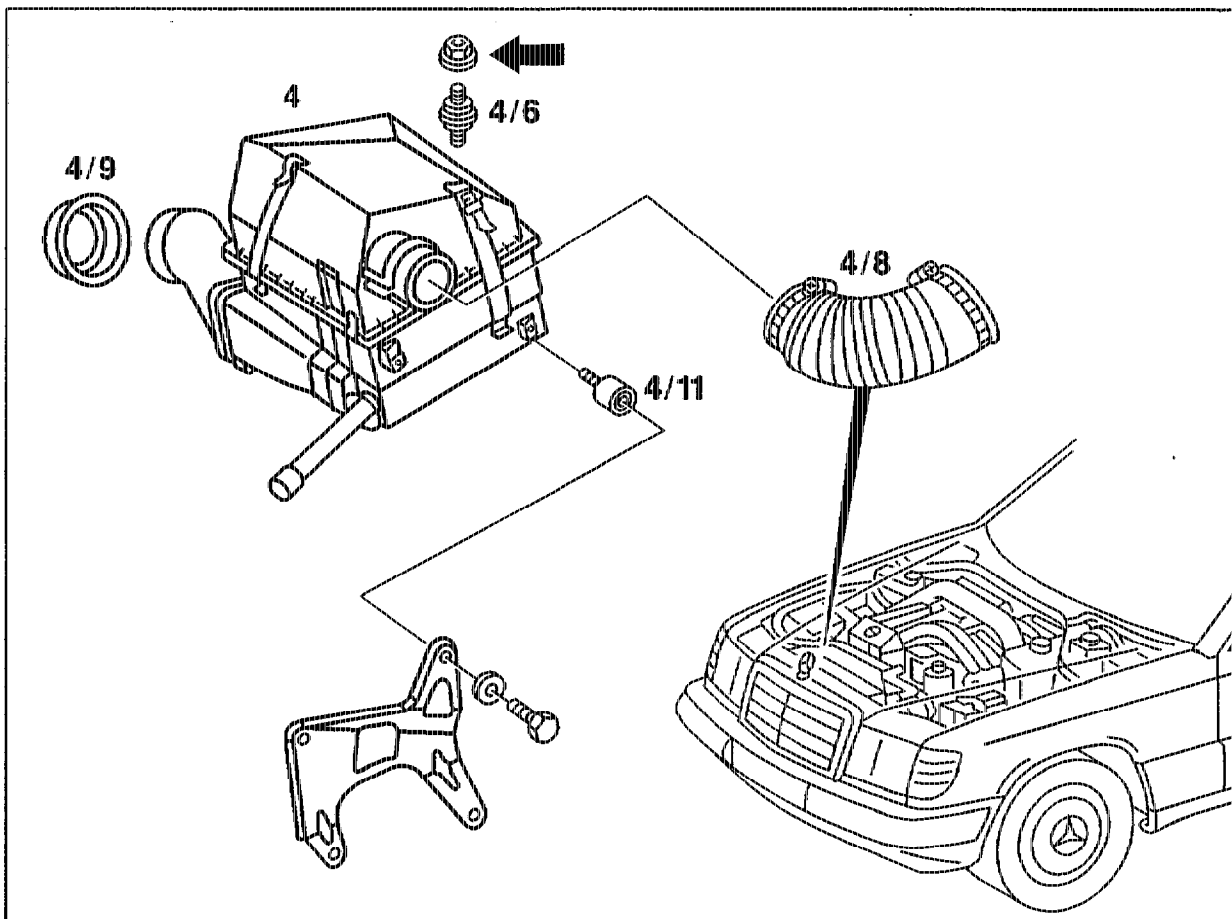


09-1051 Removing and installing air cleaner

Operation no. of operation texts and work units or standard texts and flat rates:
09-1051



P09-5062-57

Clip on shaped hose (4/8)	slacken, tighten.
Bolts of air cleaner bracket	unscrew, screw in. Check rubber bush (4/11), replace if necessary.
Nut (arrow)	unscrew, screw on. Check rubber bush (4/6), replace if necessary.
Air cleaner (4)	remove, insert. Check boot (4/9), replace if necessary.