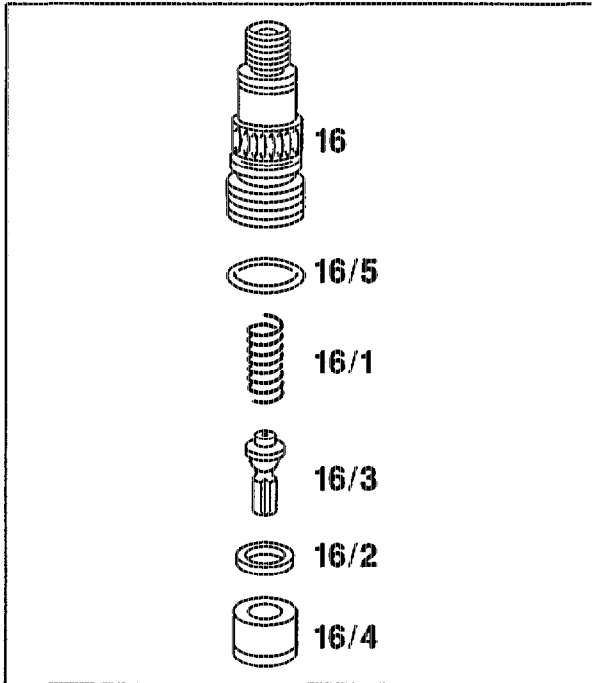


07.1-8627 Replacing delivery valve seal

Operation no. of operation texts and work units or standard texts and flat rates:
07-8627



P07-6486-15

Engine 605.911

Air cleaner cross pipe remove, install (09-8031).

Engine 606.910

Variable resonance intake manifold remove, install (14-1961).

All models

Injection lines at injection pump unscrew, screw on. Special tool
000 589 77 03 00, Tightening torque
10-20 Nm as reference value.

Note

In order to avoid pipe fractures, the retaining clips must be positioned as shown in the overview figure in 07.1-9290 Removing and installing, replacing injection pressure lines.

When removing an injection pipe, it is necessary to replace the complete retaining clips of the relevant pipe.

Delivery valve holder (16)	remove, install. Special tool 617 589 01 09 00.
Compression spring (16/1)	check, replace if necessary.
Copper seal (16/2)	replace.
Delivery valve (16/3)	rinse in diesel fuel before installing.
Delivery valve carrier (16/4)	pay attention to installation position.
O-ring (16/5)	check, replace if necessary. Oil before installing.
Leaktightness of all connection points	check with engine running.

Note

The fuel system is bled automatically when starting.

Special tools

