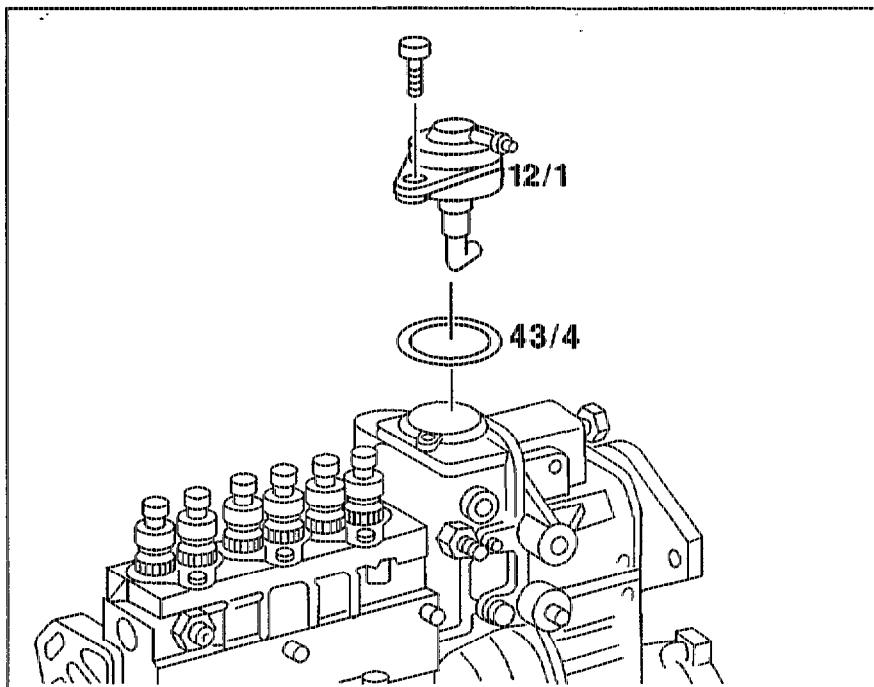


07.1-8618 Removing and installing vacuum unit (stop)

Operation no. of operation texts and work units or standard texts
and flat rates:
07-8618



P07-6483-35

Engine 605.911

Air cleaner cross pipe remove, install (09-8031).

Engine 606.910

Variable resonance intake line remove, install (14-1984).

All models

Vacuum pipe at vacuum unit	detach, fit on.
Bolts of vacuum unit	unscrew, screw in.
Vacuum unit (12/1)	remove, install. To do this, raise vacuum unit slightly, tilt back toward engine side and pull out, insert.
O-ring (43/4)	check, replace if necessary.