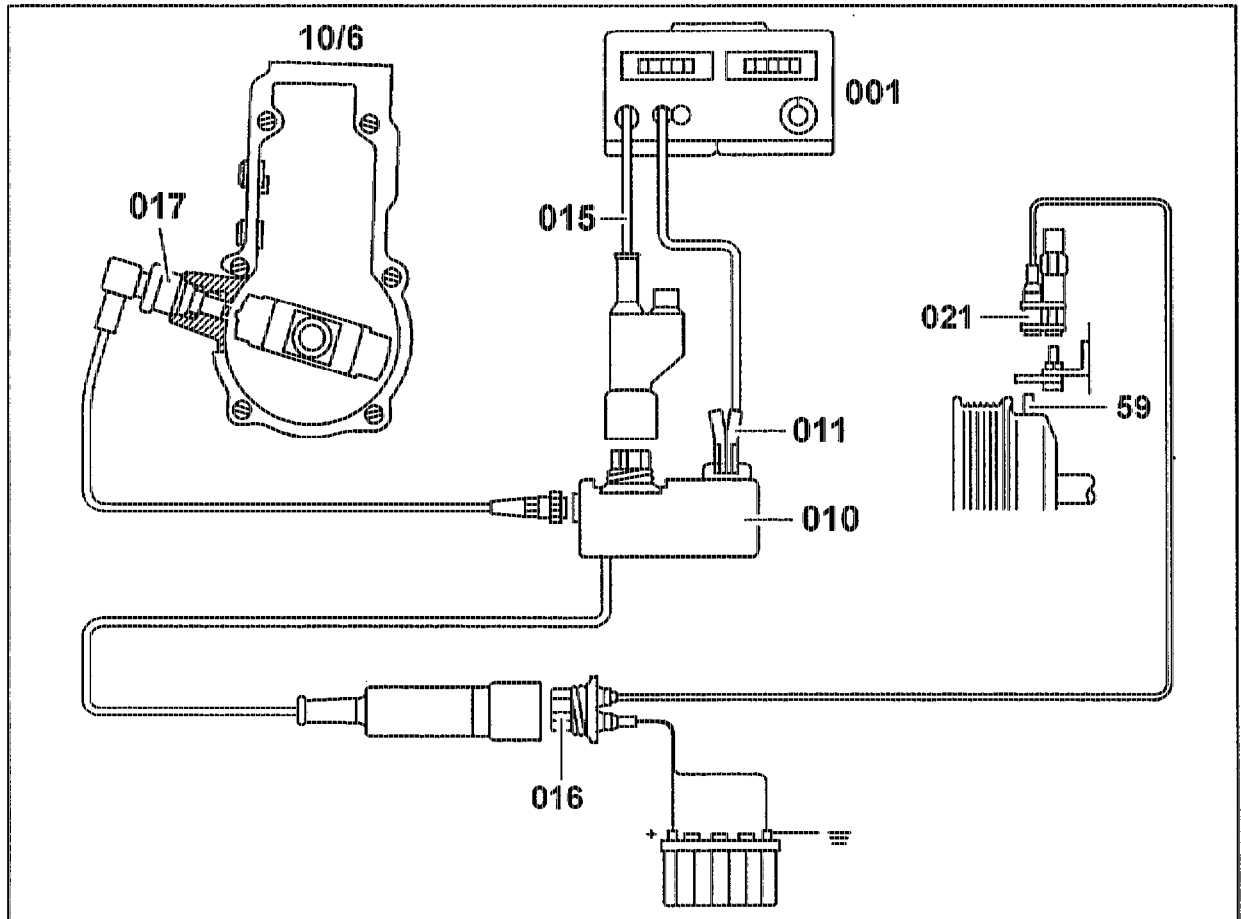


07.1-8244 Testing start of delivery with digital tester (RIV method)

Operation no. of operation texts and work units or standard texts
and flat rates:
07.1-8244



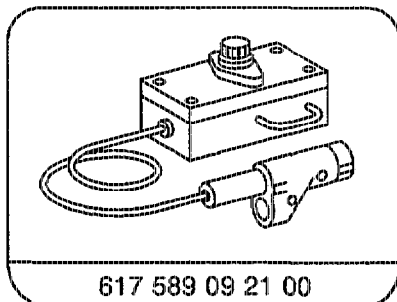
P07-6416-57

Connection diagram of digital tester with adapter (without adapter see 07.1-8300)

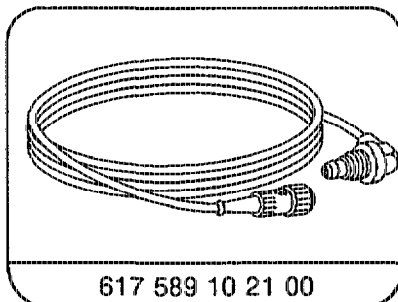
Screw plug at governor housing (10/6)	unscrew, screw in, tightening torque 30–35 Nm.
RI sensor (017)	unscrew, screw in.
Digital tester (001) and pulse generator (021)	connect, disconnect.
Engine	start, stop.
RI value on digital tester	read off at idle speed. RI specification: 14° + 0.5° ATDC. Adjust start of delivery, if necessary (07.1-8300).

Leak test with engine running perform.
 Engine oil level check, adjust to correct level if necessary.

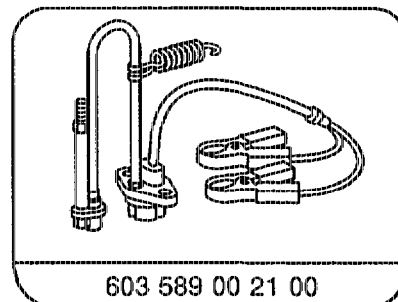
Special tools



617 589 09 21 00



617 589 10 21 00



603 589 00 21 00

Commercially available tools and testers

Designation	e. g. make, order no.
Use without adapter	
Digital tester	AVL, Diesel-Tester 873 Bosch, ETD 019.02 Sun, DIT 9100
Use with adapter	
Digital tester	Bosch, MOT 103, 002.02, 250, 401 Hermann D960, D980 Bear DEACE