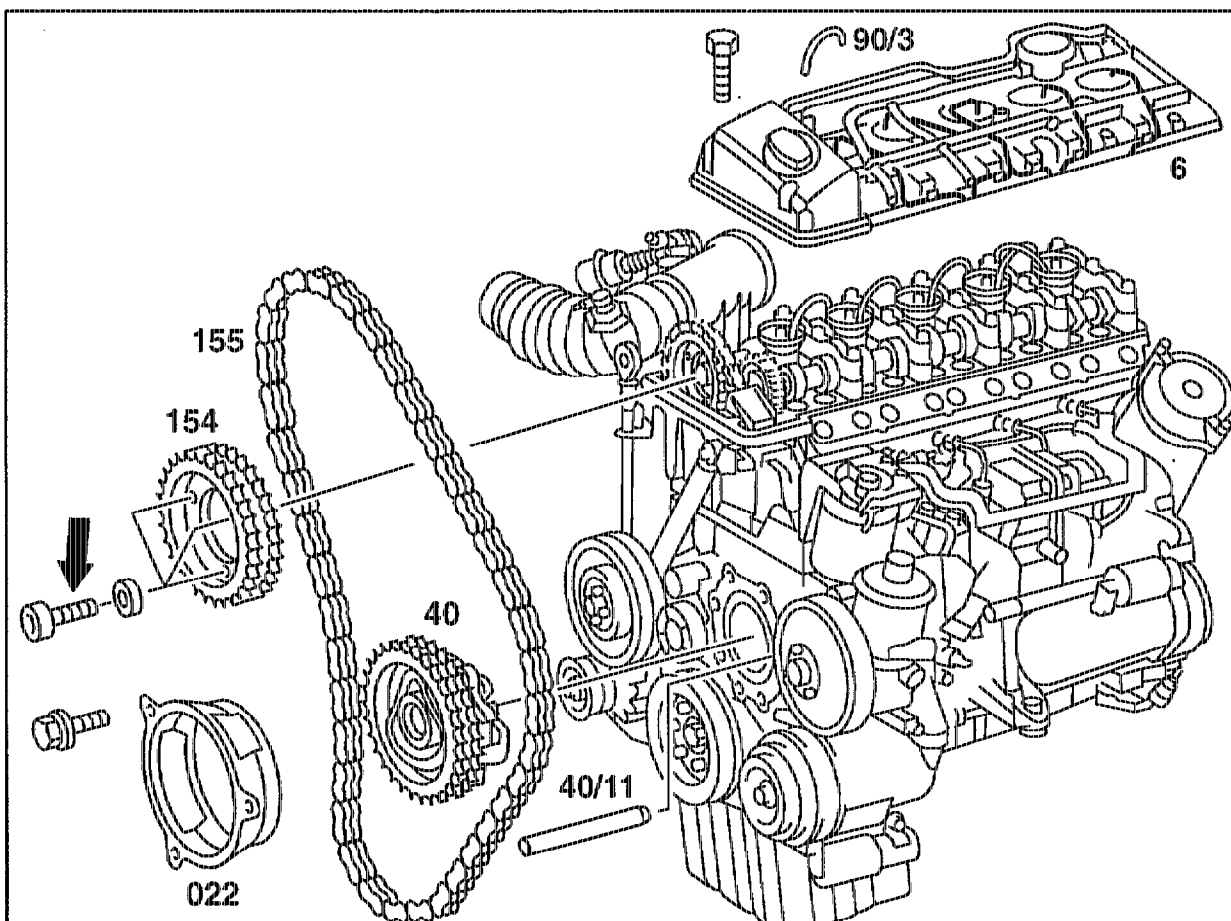


## 07.1-8014 Removing and installing injection timing device

Preceding work:  
Removing and installing injection pump (07.1-8410).

Operation no. of operation texts and work units or standard texts  
and flat rates:  
07-8014



P07-6487-57

Leak oil hoses (90/3) ..... detach, fit on.

Injection lines at injection nozzles .....

### Note

When installing, ensure that the leak oil hose is correctly routed from cylinder 1 to the return flow hose.

unscrew, screw on. Special tool 000 589 77 03 00. Seal all connections. Tightening torque 10-20 Nm as reference value. remove, install.

Cylinder head cover (6) .....

3 bolts (arrow) of camshaft sprocket .....

slacken, tighten. Tightening torque 18 Nm.

Crankshaft .....

turn in direction of rotation to  $14^\circ + 0.5^\circ$  after ignition TDC of cylinder 1.

Special tool 001 589 65 09 00.



Crank engine only in direction of rotation.

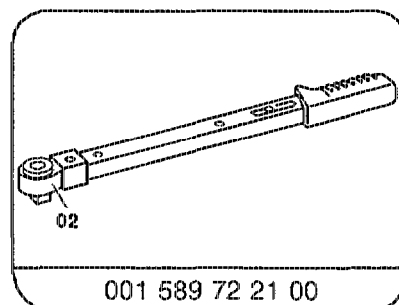
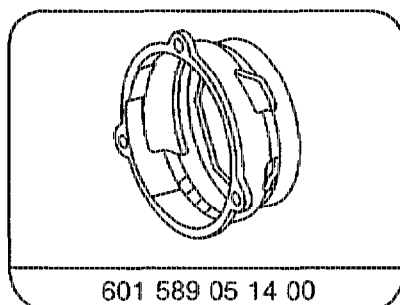
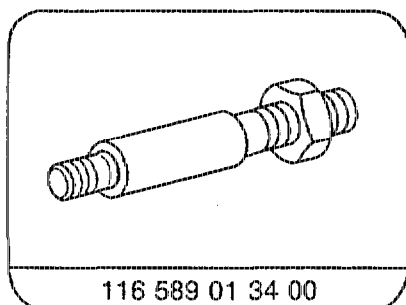
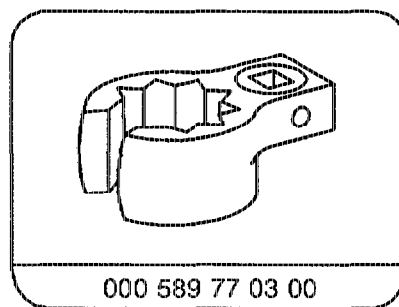
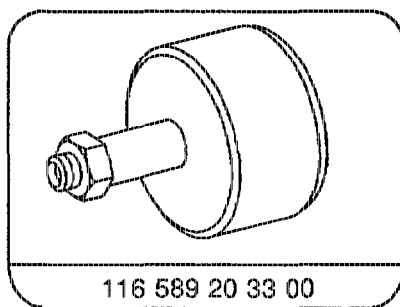
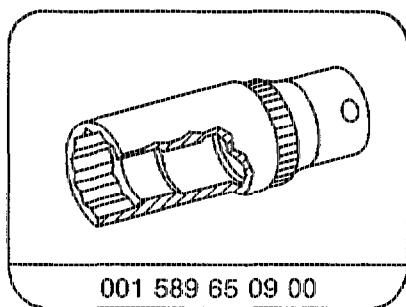


Assembly cage (022) .....	remove, install. Special tool 601 589 05 14 00.
Camshaft sprocket (154)and injection timing device (40) .....	mark with paint relative to timing chain (155).
Chain tensioner .....	remove, install (05-0310).
Bolts (arrow) of camshaft sprocket .....	unscrew, screw in.
Camshaft sprocket (154) .....	take off, install.
Locking pin (40/11) .....	pull out with threaded pin 116 589 01 34 00 and impact extractor 116 589 20 33 00, knock in.
Injection timing device (40) .....	remove, insert. To do this, push timing chain (155) to the outside.
Engine .....	crank 1 revolution by hand and check TDC marking on crankshaft/camshaft.



Crank engine only in direction of rotation.

### Special tools



**Note**

Segment flange of injection timing device modified from forging to sintered part. New injection timing device is installed with washer.

**Production breakpoint: as of June 1994**

Model	Engine	Engine end no. manual transmission	Engine end no. automatic transmission
124.104/107/126/129/ 186	605.911	020485	007642
124.131/191	606.910	005998	011023