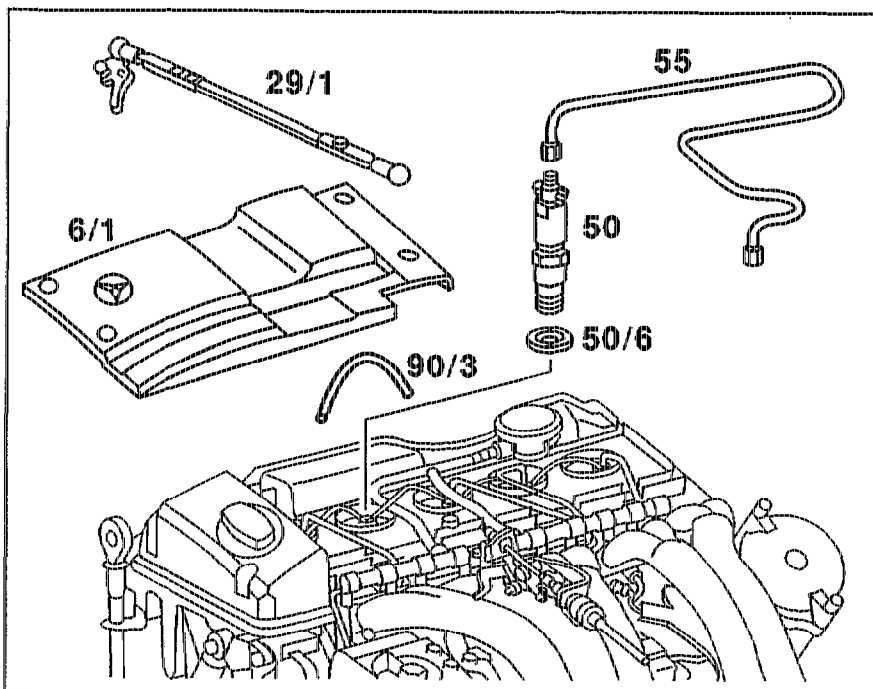


## 07.1-6830 Removing and installing injection nozzles

Operation no. of operation texts and work units or standard texts  
and flat rates:  
07-6830



P07-6484-35

Shown on engine 605.911

### Engine 605.911

Air cleaner cross pipe ..... remove, install (09-8031).

### Engine 606.910

Variable resonance intake manifold ..... remove, install (14-1984).

### All models

Connecting rod (29/1) at accelerator control ..... detach, attach.

Cylinder head cover trim panel (6/1) ..... take off, fit on.

### Note

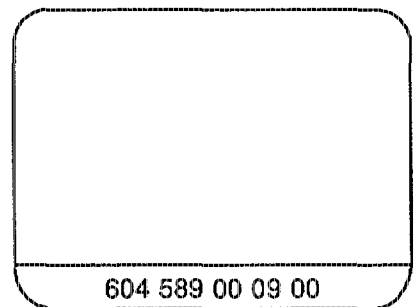
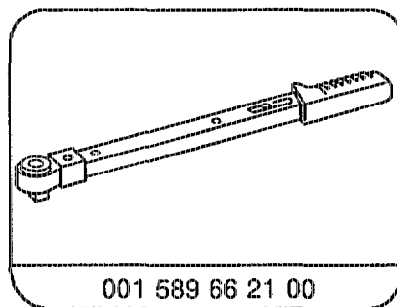
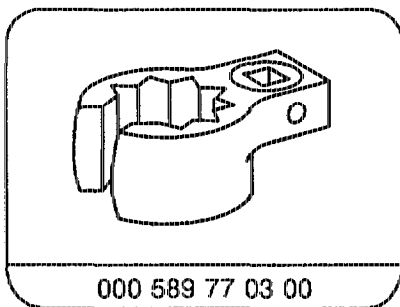
When installing, ensure that the leak oil hose is correctly routed from cylinder 1 to return flow hose.

Pressure control valve ..... remove, install.

Leak oil hoses (90/3) ..... detach with special pliers, fit on.

Injection pipes (55) .....	unbolt, bolt on. Special tool 000 589 77 03 00. Tightening torque 10–20 Nm as reference value.
	<b>Note</b> In order to avoid pipe fractures, the retaining clips must be located as shown in the overview figure in 07.1–9290 Removing and installing, replacing injection pressure lines.  When removing an injection pipe, it is necessary to replace the complete retaining clips of the relevant pipe.
Injection nozzles (50) .....	unscrew, screw in. Special tool 606 589 00 09 00, tightening torque 40 Nm.
Nozzle discs (50/6) .....	replace.
Leaktightness of all connection points .....	check with engine running.

**Special tools**



**Commercially available tools and testers (see Workshop Equipment Manual)**

Designation	e.g. Make, order no.
Special pliers for installing leak oil hoses	Knipex-Werke 42349 Wuppertal 3831200

**Notes**

Conversion to self-tapping screws for attaching the cylinder head cover trim panel (6/1) to cylinder head cover.

**Production breakpoint: as of December 1993**

Model	Engine	Engine end no. manual transmission	Engine end no. automatic transmission
124.104/107/126/129/ 186	605.911	011162	003654
124.131/191	606.910	003268	005094

Leak oil hoses between nozzle holders modified.  
Standardization with all two-valve engines.

**Production breakpoint: as of February 1994**

Model	Engine	Engine end no. manual transmission	Engine end no. automatic transmission
124.104/107/126/129/ 186	605.911	014385	005142
124.131/191	606.910	004360	007108

Conversion to light-colored hoses for the leak oil hoses for assembly reasons.

**Production breakpoint: as of October 1995**

Model	Engine	Engine end no. manual transmission	Engine end no. automatic transmission
124.104/107/126/129/ 186	605.911	039581	015685
124.131/191	606.910	010307	021548