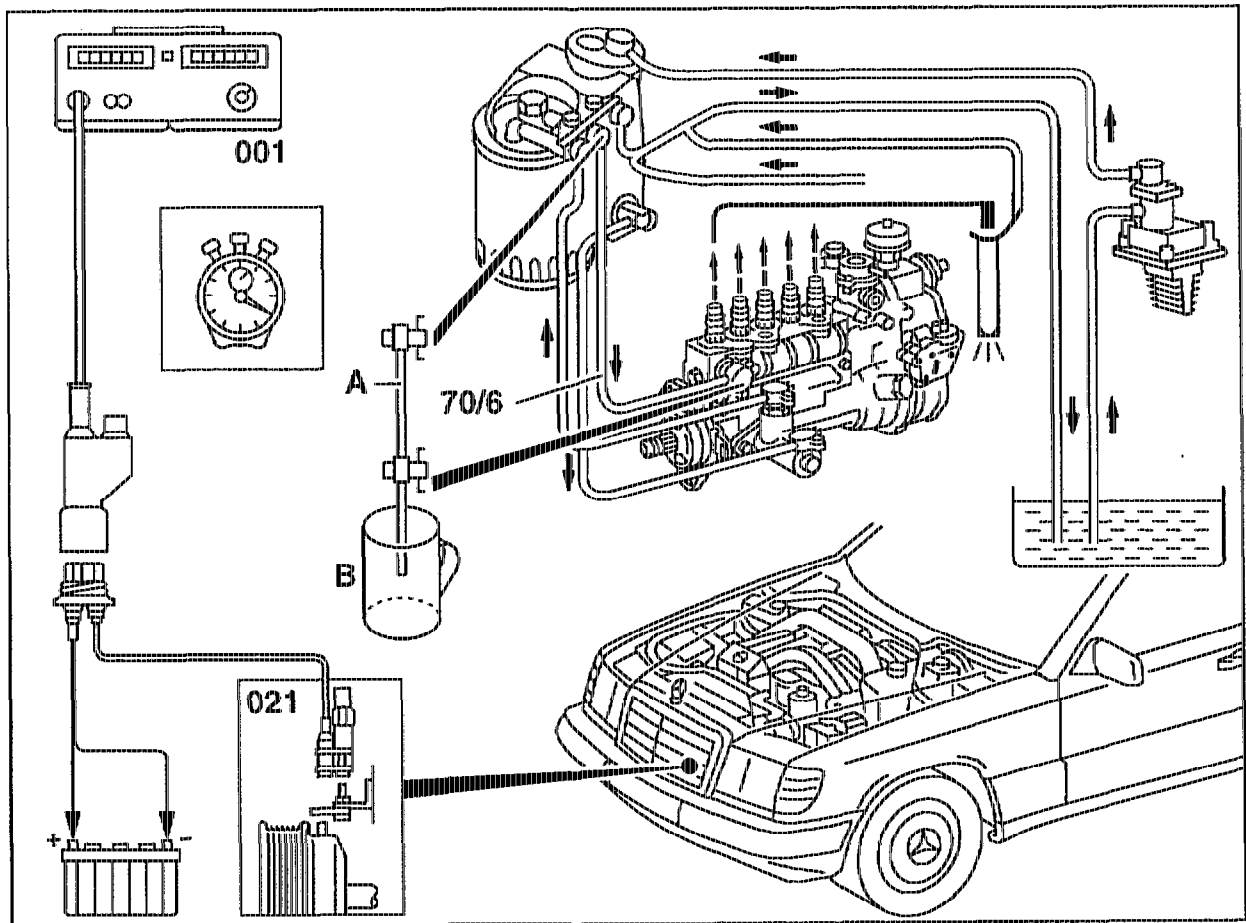


07.1-5701 Testing fuel pump (delivery)

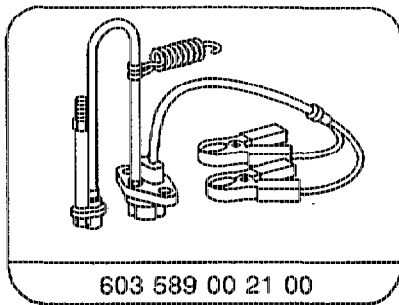
Operation no. of operation texts and work units or standard texts and flat rates:
07-5701



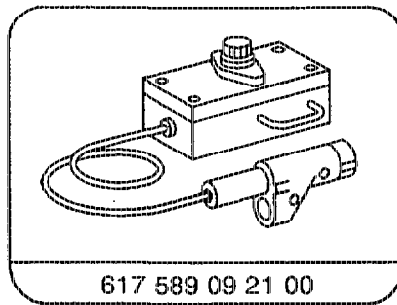
P07-6410-57

Digital tester (001) and pulse generator (021)	connect, disconnect.
Fuel line (70/6) at fuel filter and at injection pump	disconnect, connect.
Test line (A) between fuel filter and injection pump	connect, disconnect. Hold the end of the test line (A) in the measuring beaker (B).
Engine at idle speed for 30 seconds	run.
Delivery of fuel pump	test. Specification: at least 150 cm ³ .

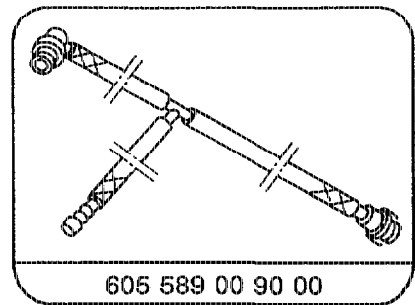
Special tools



603 589 00 21 00



617 589 09 21 00



605 589 00 90 00

Commercially available tools and testers (see Workshop Equipment Manual)

Designation	e. g. make, order no.
Use without adapter	
Digital tester	Sun, DIT 9100 AVL, Diesel-Tester 873 Bosch, ETD 019.02
Use with adapter	
Digital tester Engine diagnostics tester	Bosch, MOT 103, 002.02, 150, 250 Hermann D960, D980 Bear, DEACE
Measuring glass or beaker (at least 1 liter)	
Stopwatch	

Note

Fuel feed pipe from fuel filter to injection pump converted from plug connection to screw attachment.

Production breakpoint: as of September 1995

Model	Engine	Engine end no. manual transmission	Engine end no. automatic transmission
124.104/107/126/129/ 186	605.911	038663	015361
124.131/191	606.910	010216	021123