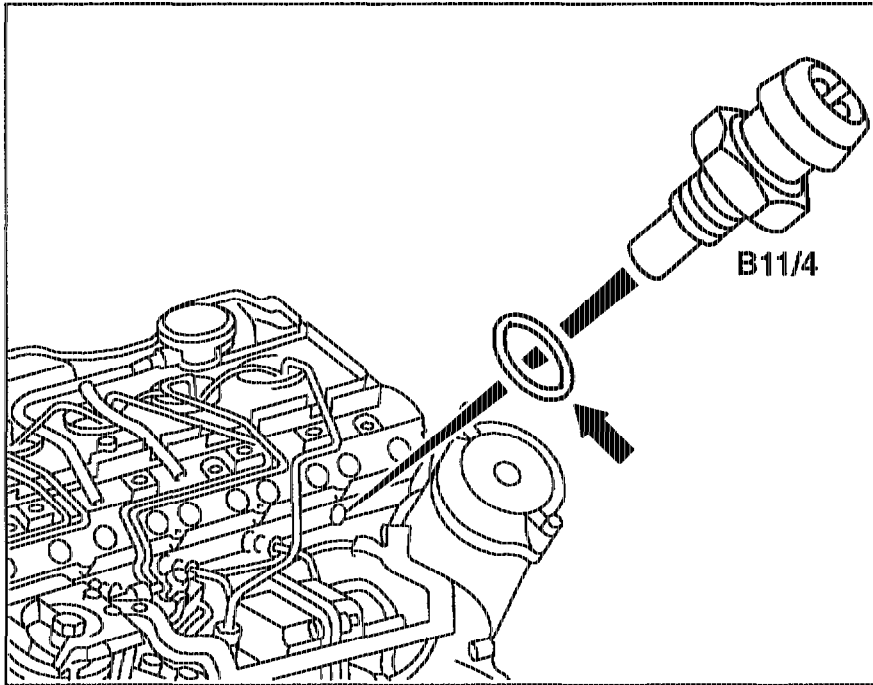


07.1-1860 Removing and installing coolant temperature sensor

Operation no. of operation texts and work units or standard texts
and flat rates:
07-1860



P07-6407-35

Shown on engine 606.910

Engine 605.911

Intake manifold remove, install, replace gasket (14-1310).

Engine 606.910

Variable resonance intake manifold remove, install, replace gasket (14-1961).

All models

Coupling of coolant temperature sensor (B11/4)	unplug, plug in.
Coolant temperature sensor (B11/4)	unscrew, screw in. Replace seal (arrow).
Leaks at all connection points	check with engine running.
Coolant level	check, adjust to correct level if necessary.