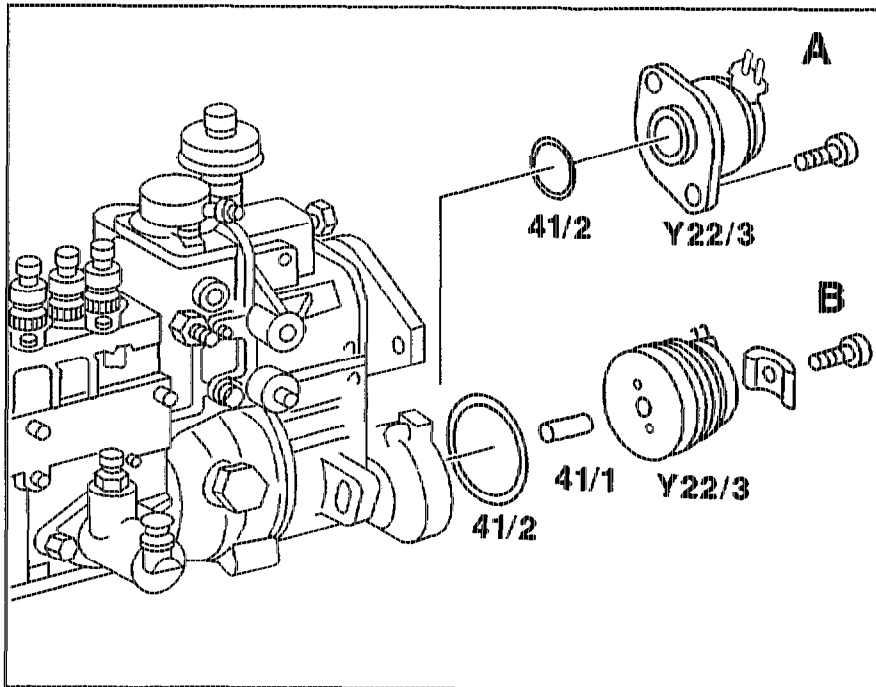


## 07.1-1856 Removing and installing ARA actuator

Operation no. of operation texts and work units or standard texts  
and flat rates:  
07-1856



P07-6482-35

- A Engine 605.911
- B Engine 606.910

Electrical connection at ARA actuator (Y22/3) . . .	unplug, plug in.
Bolts of ARA actuator . . . . .	remove, install.
ARA actuator (Y22/3) . . . . .	remove, install.

### Installation note

Electrical connection must face up.

### Engine 606.910

Lift rod (41/1) in new actuators . . . . .	insert (see note).
--	--------------------

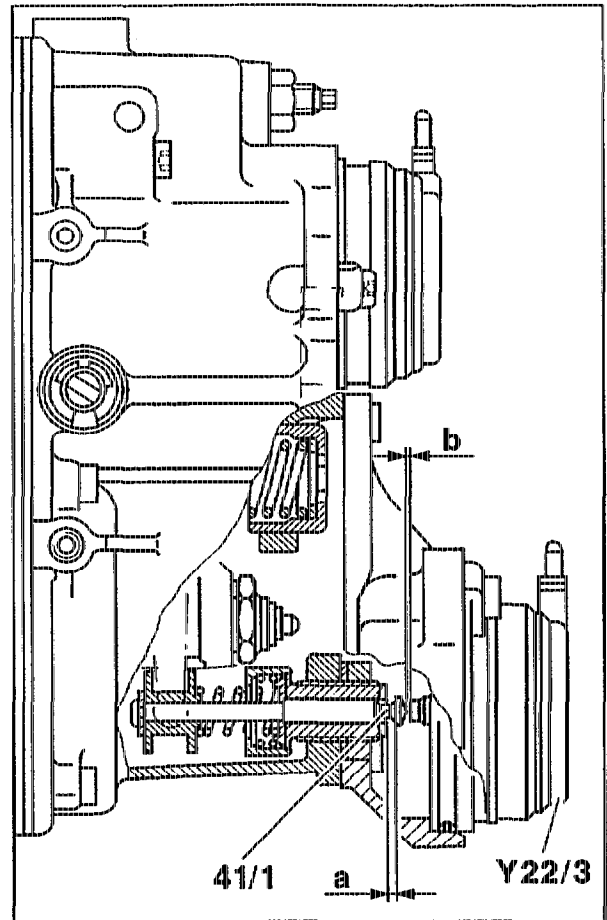
### All models

O-ring (41/2) . . . . .	check, replace if necessary.
-------------------------	------------------------------

**Notes regarding replacing ARA actuator,  
engine 606.910**

When replacing the ARA actuator, the previous lift rod (41/1) must be installed in the new actuator. This ensures that the clearance "b" is correct. If the lift rod (41/1) is faulty, the injection pump must be set on the test bench.

- Y22/3 ARA actuator
- a Displacement 1.5–1.7 mm (encapsulated travel) = control travel 2.25–2.55 mm
- b Clearance to full load connection 0.1–1.0 mm



P07-6503-17