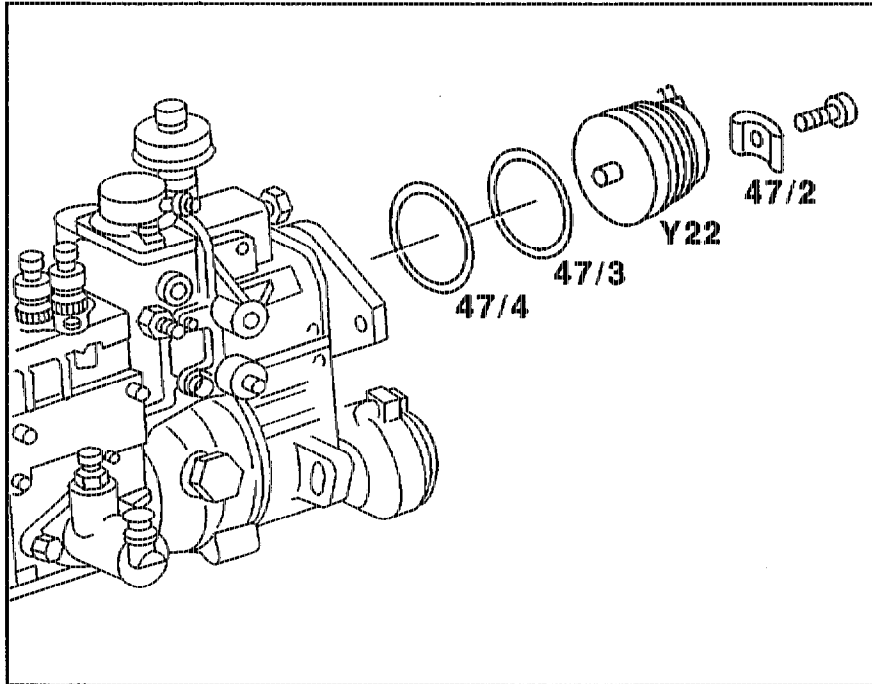


## 07.1-1855 Removing and installing ELR actuator

Preceding work:  
 Removing and installing resonance intake line (14-1984).

Operation no. of operation texts and work units or standard texts  
 and flat rates:  
 07-1855

### Engine 606.910



P07-6481-35

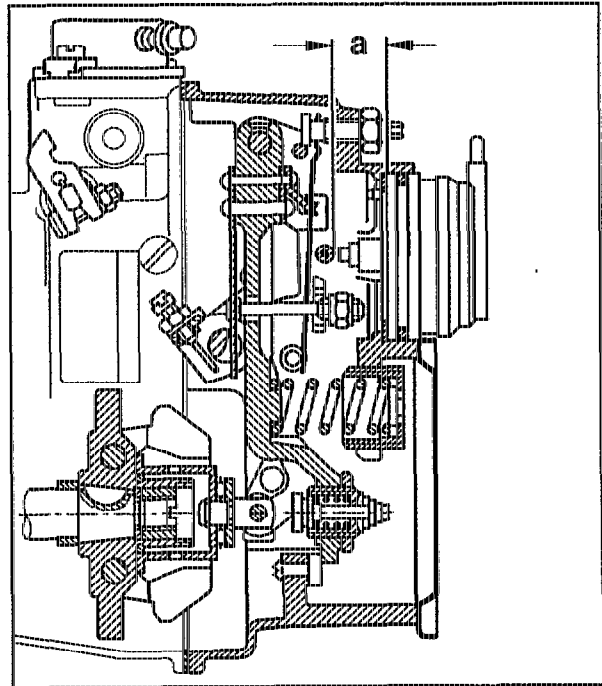
Electrical connection at ELR actuator (Y22) . . . . .	unplug, plug in.
Bolts of ELR actuator . . . . .	unscrew, screw in, and remove bracket (47/2), install.
ELR actuator (Y22) . . . . .	remove, install.
<b>Installation note</b>	
O-rings (47/3) . . . . .	Electrical connection must face up. check, replace if necessary.

Shim (47/4) for setting size "a" ..... remove, install (see ill. note for size "a").

**Note**

When performing repairs, the previous shims must be re-installed to ensure that size "a" is correct (14.6–15.7 mm).

**Illustration note**



Size "a" 14.6–15.7 mm

P07-6504-15