



A2

AR05.10-P-8127HA

Removing, installing tensioning rail

15.1.98

ENGINE 604, 605, 606

- 1 Tensioning rail
- 2 Bearing pin

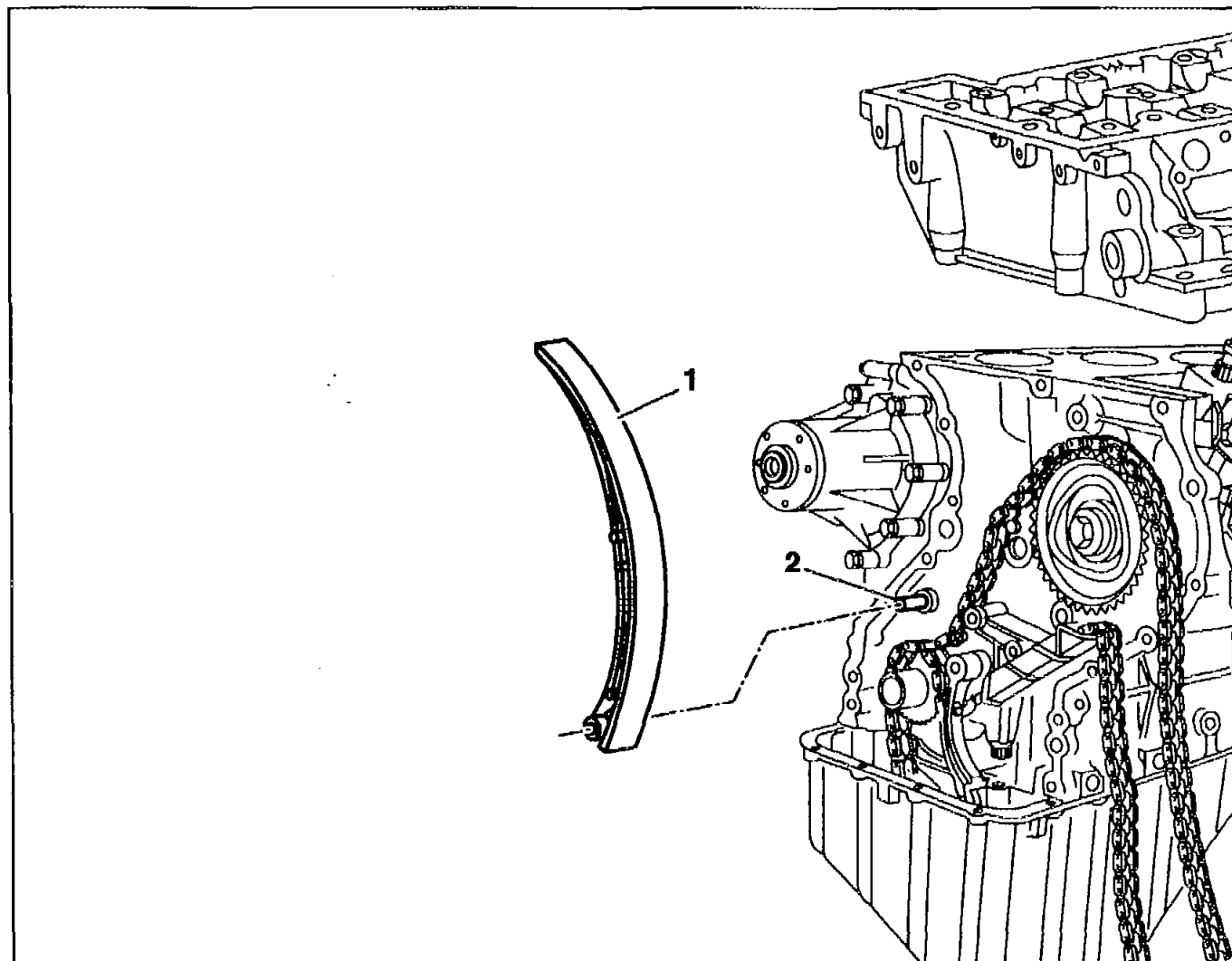


Fig. item, etc.	Work instructions		
	Remove cylinder head	Engine 604, 605, 606 except in model 463 ↓	AR01.30-P-5800HA
		Engine 606 in model 463	AR01.30-P-5800GG
	Remove timing case cover	Engine 604, 605, 606 except in model 463 ↓	AR01.40-P-8000HA
		Engine 606 in model 463	AR01.40-P-8000GG
1, 2	Tensioning rail from bearing pin	<p>pull off</p> <p>i The plastic shoulder of the tensioning rail cannot be replaced</p> <p>Timing chain drive as-built description see →</p>	<p>GF05.10-P-4000HA</p> <p>F1</p>