

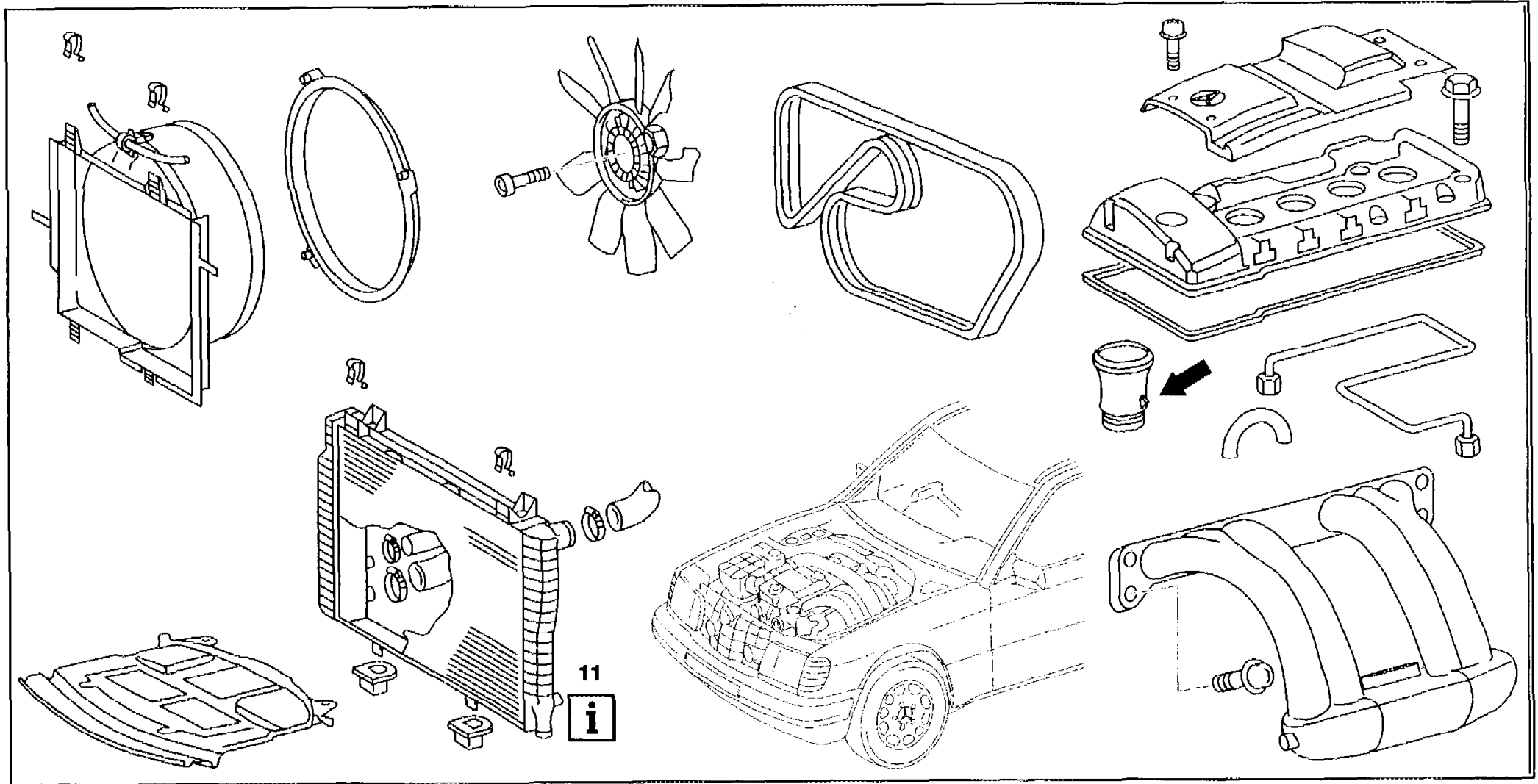
F4

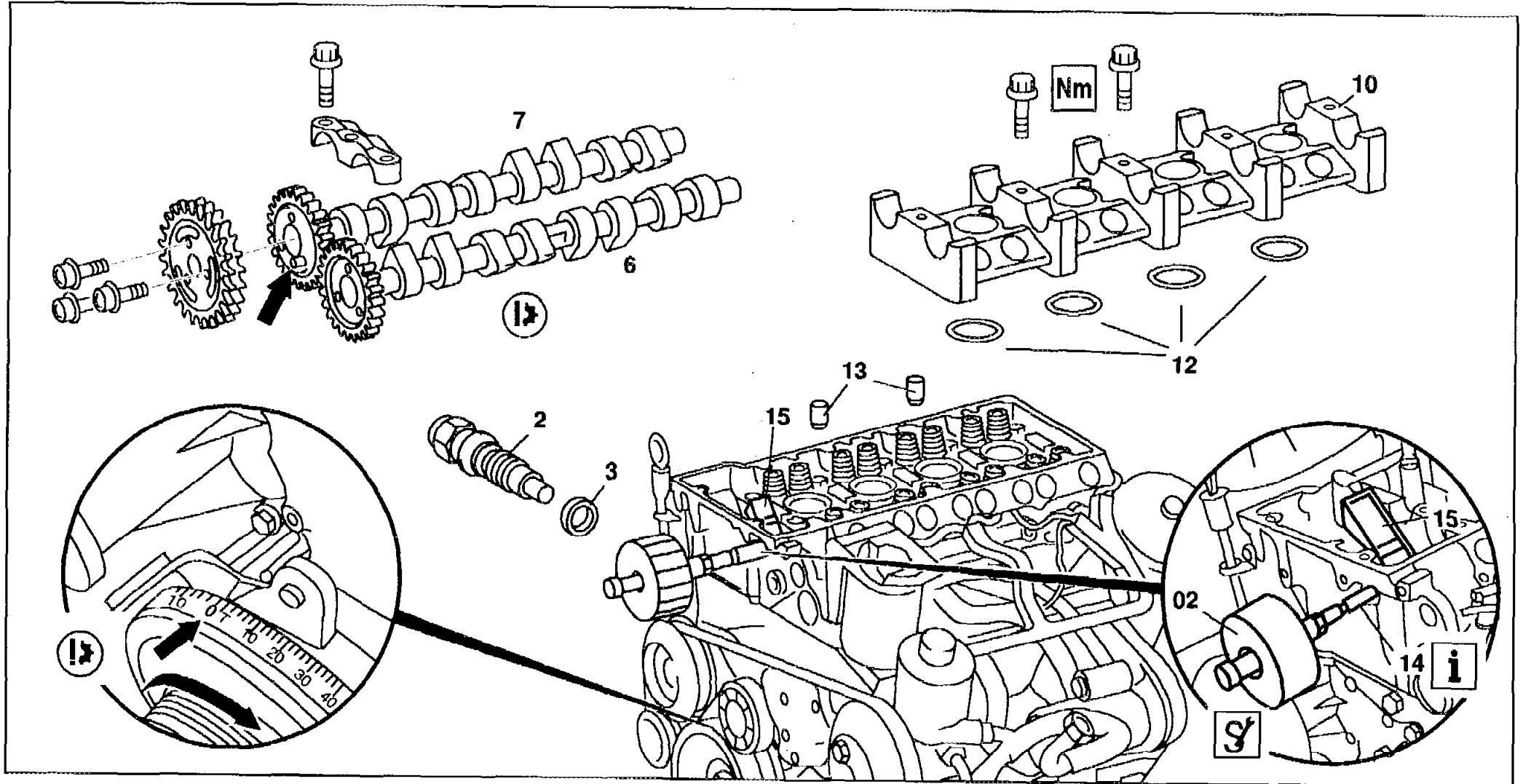
AR05.20-P-6995HA

Removing, installing camshaft housing

2.4.93

ENGINE 604, 605, 606 /




















- 2 Chain tensioner
- 3 Seal of chain tensioner
- 6 Inlet camshaft
- 7 Exhaust camshaft
- 10 Camshaft housing

- 12 O-rings
- 13 Dowel sleeves
- 14 Guide rail bolts
- 15 Guide rail
- 02 Impact extractor for guide rail bolts

Modification notes

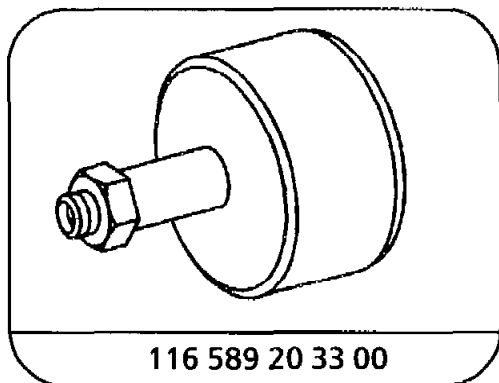
1.3.95	<p>Technical modification: Bolts for attaching camshaft housing discontinued. The camshaft must be bolted to the cylinder head when performing repairs.</p>	See item 10	AR05.20-6995HA
--------	---	-------------	----------------

Fig. item, etc.	Work instructions		
 11	Remove radiator	Engine 606 in model 124 Engine 606.912 in model 210	AR20.20-P-3865HA
		Engine 606.962 in model 210 Engine 606.964 in model 463	AR20.20-P-3865HB AR20.20-P-3865GG
 14, 02	Remove upper guide rail bolt	 Installation: Ensure the guide rail (15) is correctly located in the cylinder head. Coat guide rail bolt with sealant and knock in as far as the stop.	AR01.30-P-5800-04A P15 BR00.45-Z-1014-01A
			116 589 20 33 00
			116 589 01 34 00

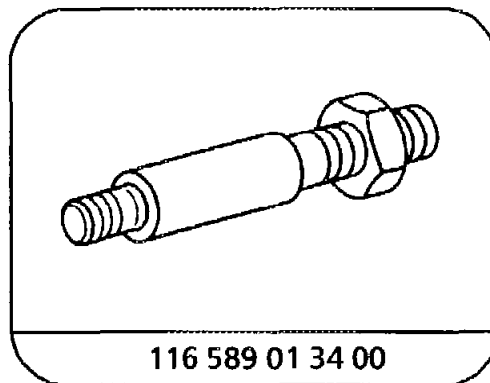
			605 589 00 33 00
2	Remove chain tensioner	 Replace seal of chain tensioner (3)	AR05.10-P-7800HA M1
10	Bolt camshaft housing to cylinder head	Engine 604, 605, 606 as of 09.94	AR05.20-P-6992-10A A16
 BT	Bolts for attaching camshaft housing to cylinder head discontinued		BT05.20-P-0001-01A P17
 6, 7	Remove camshafts	After installing ↓ Check basic position of the camshafts If necessary, after checking ↓ Adjust basic position of the camshafts.	AR05.20-P-6992HA N3 AR05.20-P-6010HA J2 AR05.20-P-6020HA C3
10	Remove camshaft housing	 Installation: Pay attention to dowel sleeves (13). Replace O-rings (12) between cylinder head and camshaft housing.  The bucket tappets do not need to be taken out in order to remove the camshaft housing. A lug prevents the bucket tappet from dropping out.  	BA05.20-P-1003-01A WH58.30-Z-1003-06A

 **Camshaft**

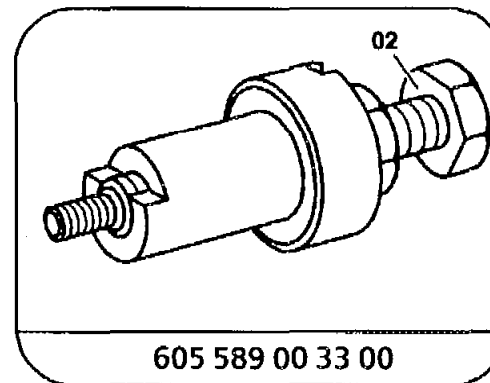
Number	Designation	Engine
BA05.20-P-1003-01A	Bolt of camshaft housing to cylinder head	604, 605, 606
		Nm 15



Impact extractor



Threaded bolt



Extractor

Commercially available tools

Number	Designation	Make (e.g.)	Order number
WH58.30-Z-1003-06A	Extended Torx wrench insert 3/8"	Hazet Güldenwerther Bahnhofstraße 25-28 D-42857 Remscheid	880 TZ-9

**Repair products**

Number	Designation	Order number
BR00.45-Z-1014-01A	Omnifit FD 3041 sealant (50 ml)	002 989 47 20 10