

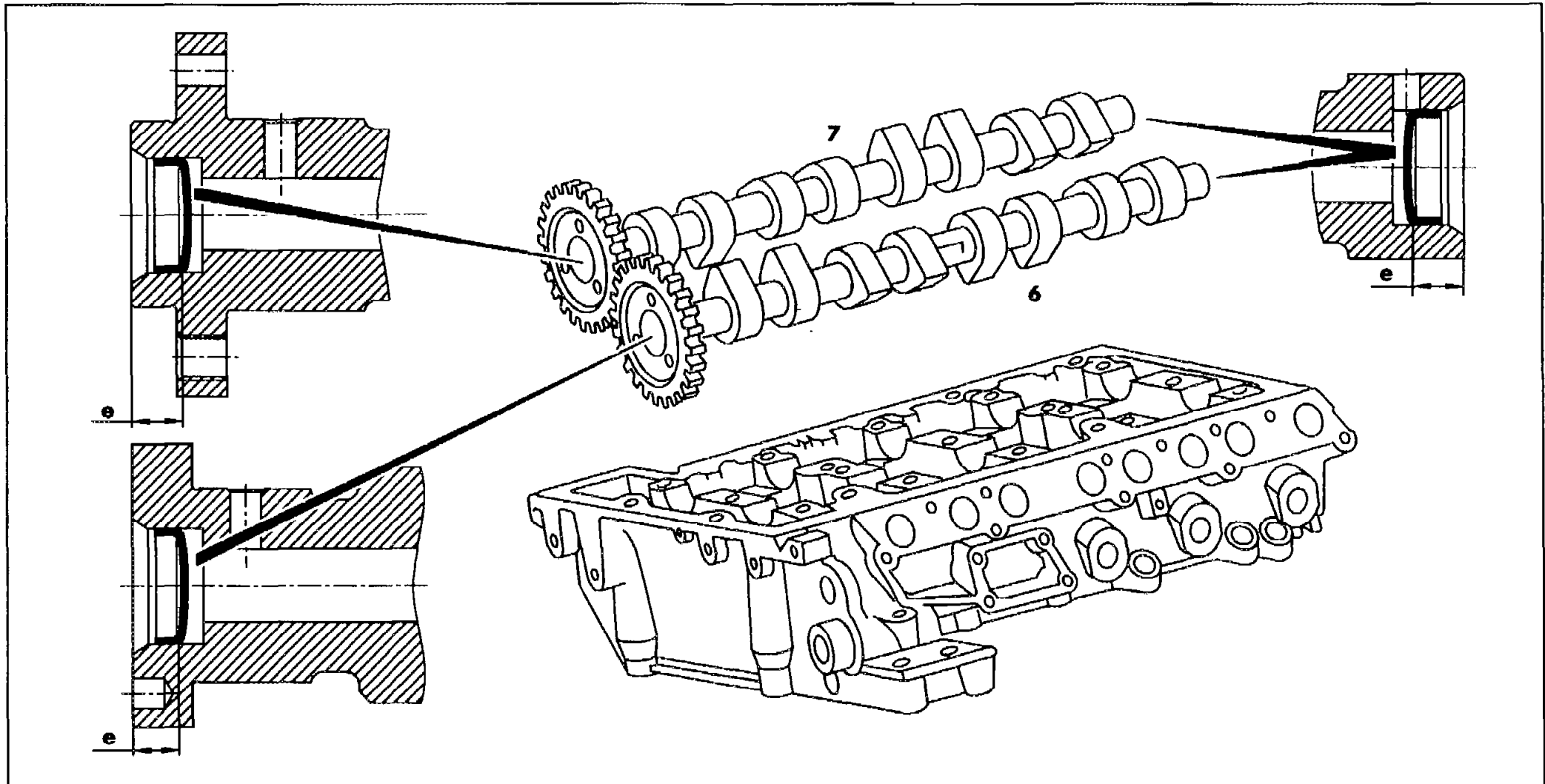


L3

AR05.20-P-6030HA

Removing, installing end cover for camshafts

9.5.95

ENGINE 604, 605, 606 /



6, 7 Camshafts

	Removing		
1	Remove camshafts (6, 7)		AR05.20-P-6992HA N3
2	Use a suitable screwdriver to prise out end cover.	Do not damage basic bore of camshaft.	
3	Clean mounting hole for metal cover of hollow-drilled camshaft, remove grease		
	Installing		
4	Use drift to knock in end cover (1).	Use new end cover (1) The end cover (1) must not be seated at the end of the bore; pay attention to insertion depth.	
WF	Drift for knocking in end cover of camshaft		WF58.50-P-0520-01A E18
5	Install camshafts (6, 7)		AR05.20-P-6992HA N3