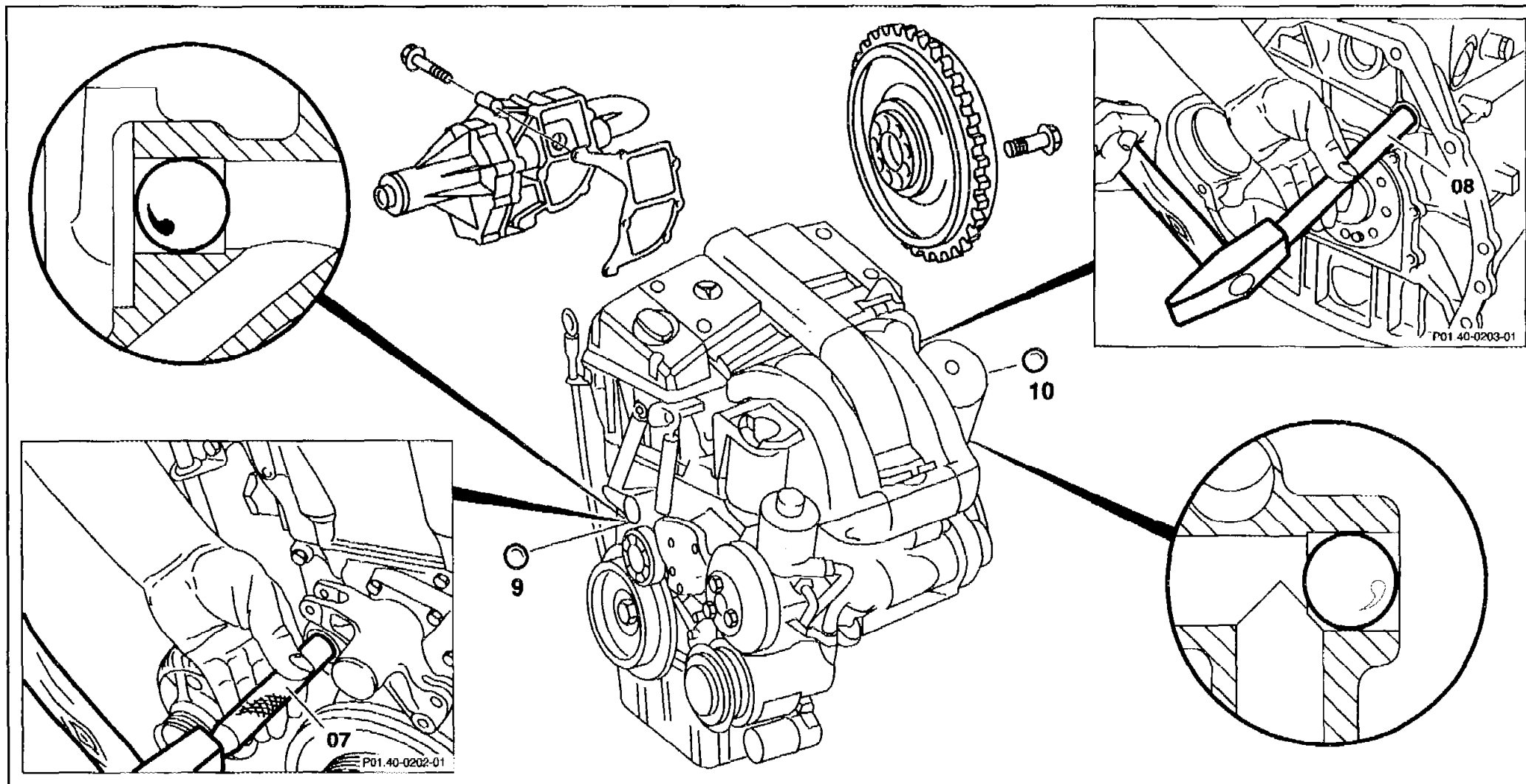


C8

AR01.40-P-8498A

Knocking out, inserting steel ball of main oil gallery

10.2.94

**ENGINE 602.982 /983, 604, 605, 606**



	Removal, installation		
1.1	Remove manual transmission		AR26.10-P-0020A
1.2	Remove automatic transmission	Model 202, 210, 140 Model 463	AR27.10-P-0500A AR27.10-P-0500BD
		Model 461	AR27.10-P-0500G
2.2	Remove flywheel, two-mass flywheel or driven plate		AR03.30-P-8001HA
3.1	Remove radiator	only model 124 with engine 606 only model 463 with engine 606.964	AR20.20-P-3865HA AR20.20-P-3865GG
		only model 461 with engine 602.983	AR20.20-P-3865GH
4	Remove coolant pump housing	Model 124, 140, 202, 210 Model 463 with engine 606.964	AR20.10-P-1270HA AR20.10-P-1270GG
		Model 461 with engine 602.983	AR20.10-P-1270HB
5	Determine oil leaks	If cause of oil leak cannot be clearly determined ↓ Check external oil leaks on rear of engine, determine.	AR01.40-P-8913-01HA <b>P15</b>
6 <b>WF</b>	Knock out steel balls (9, 10)  Bar for knocking out steel ball of main oil gallery	Use bar (08) to knock both steel balls out of crankcase from the rear to the front	WF58.50-P-0140-01A <b>G18</b>

		<p><b>i</b> Installation: Thoroughly clean seats of steel balls in crankcase. Steel balls may be re-used several times provided they are not damaged.</p> <p><b>i</b> If leaks exist, re-position steel balls about 1 mm (size is specified on insertion drift (07)).</p> <p><b>Ⓢ</b> Always replace damaged steel balls!</p>	
		<p><b>Ⓢ</b></p>	<p>601 589 08 15 00</p>
<p>7</p>	<p>Insert steel balls (9, 10)</p>	<p><b>Ⓢ</b> Installation: Place the steel ball with a little grease onto the insertion drift (07) and knock in as far as the specified stop on the drift (07).</p> <p><b>Ⓢ</b></p> <p><b>Ⓢ</b> If it is found, when inserting a steel ball, that it does not ensure an adequate seal or if a leakage occurs after the leaktightness run ↓</p> <p>Replace steel ball with a plug.</p> <p><b>Nm</b> Engine 604, 605, 606</p> <p><b>Nm</b> Engine 602.982/983</p> <p>Adhesive compound</p>	<p>601 589 08 15 00</p> <p>AR01.40-P-8498-01HA <b>B16</b></p> <p>BA01.40-P-1003-01A</p> <p>BA01.40-N-1004-01B</p> <p>BR00.45-Z-1001-02A</p>

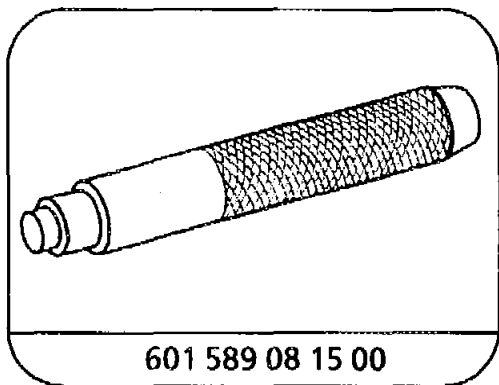
8	Installation in the reverse order	<p><b>i</b> After attaching the parts to the engine, check for oil leaks in the area of the steel balls before installing the transmission ↓</p> <p>Check for external oil leaks on rear of engine, determine.</p>	<p>AR01.40-P-8913-01HA <b>P15</b></p>
---	-----------------------------------	--	---------------------------------------

**Nm** Crankcase, timing case cover, end cover

Number	Designation	Engine 604, 605, 606
BA01.40-P-1003-01A	Crankcase plug	Nm 50

**Nm** Crankcase, timing case cover, end cover

Number	Designation	Engine 602.982/98 3
BA01.40-N-1004-01B	Plug of oil gallery of crankcase	Nm 50



Drift

**Repair aids**

Number	Designation	Order number
BR00.45-Z-1001-02A	Loctite 241 adhesive compound	002 989 94 71