

M5

AR01.30-P-5402HA

Removing, installing prechamber

2.4.93

ENGINE 604, 605, 606 /

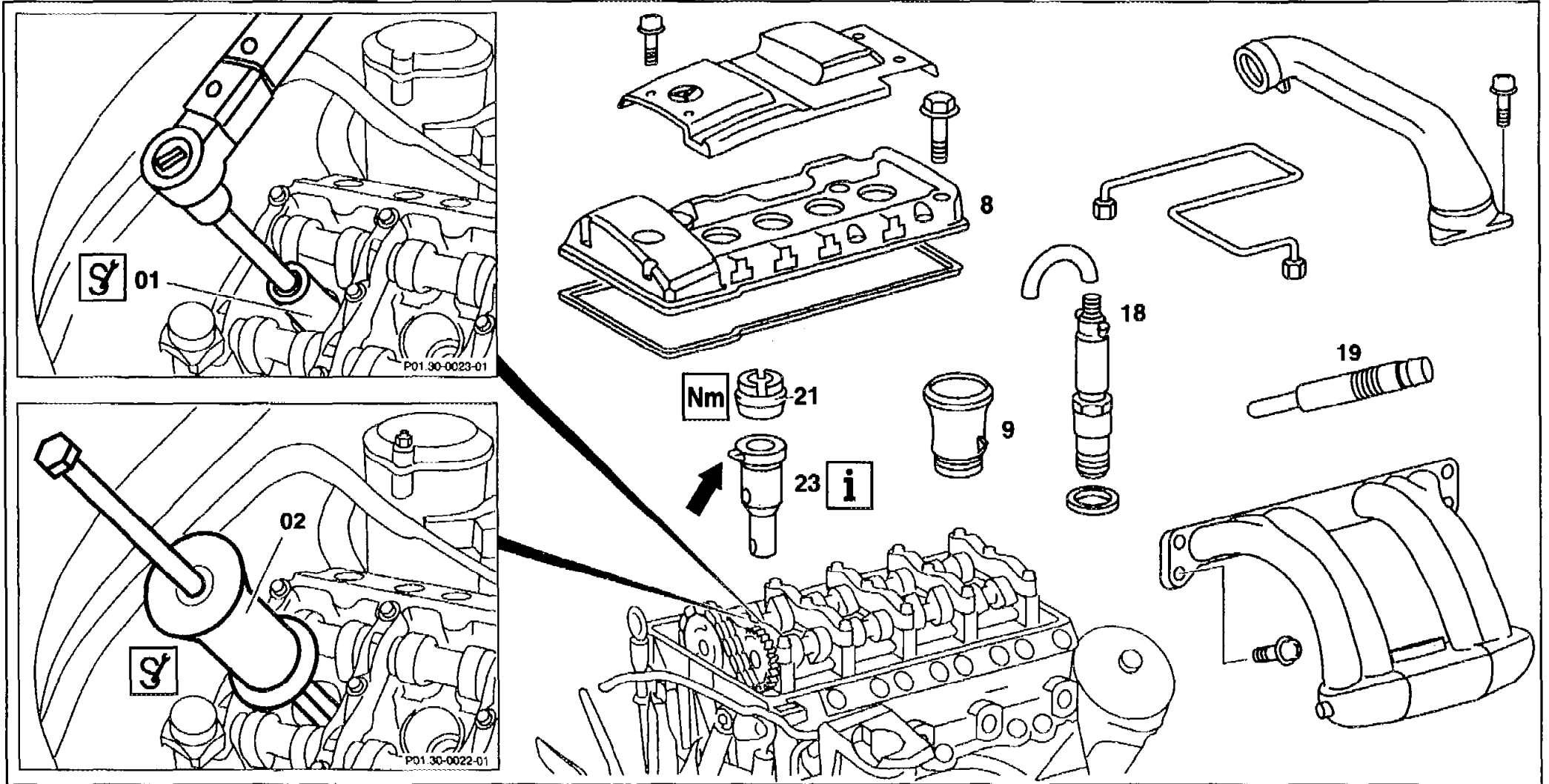








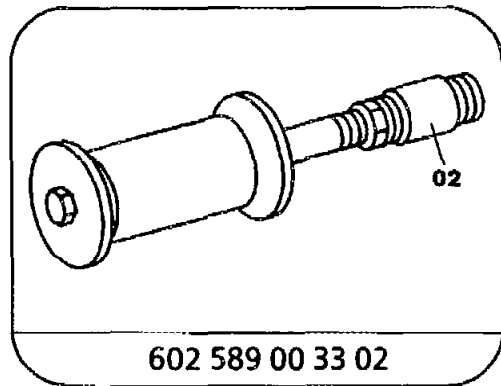
Fig. item, etc.	Work instructions		
8	Cylinder head cover	remove	AR01.20-P-5014HA J5
9	Bushes of shaft cover	remove, replace O-rings. If necessary, rotate engine at crankshaft to remove the bushes of the shaft cover.	
19	Glow plugs	remove	AR15.20-P-4111H
18	Injection nozzles	remove	AR07.10-P-6830H
21, 01	Threaded ring of prechamber	 unscrew with serrated wrench  Installation: Oil threaded ring before installing 	604 589 01 09 00 BA01.30-P-1001-01A
23, 02	Prechamber	 knock out with impact extractor  Installation: Insert prechamber (23) so that lug on collar of prechamber (arrow) is resting against recess of cylinder head.	602 589 00 33 00
 23	Prechamber	examine Prechamber code number	AR01.30-P-5402-05HA C15 BE01.30-P-1001-03A

Prechamber

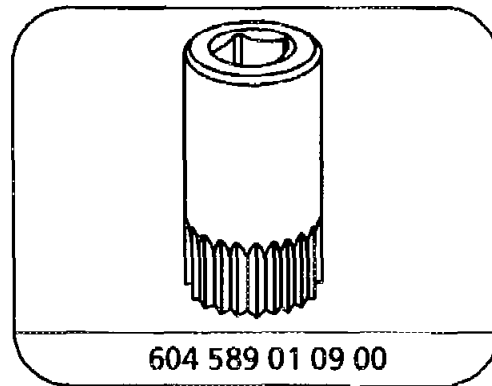
Number	Designation	Engine 604, 605.910/911/912 606.910/912 except (USA)	Engine 604, 605.910/911/912 606 (USA)	Engine 605.960/ 962, 606.961/ 962/964
BE01.30-P-1001-03A	Prechamber code	606/2	606/03	606/04 or 606/06

Nm Tightening torques of cylinder head

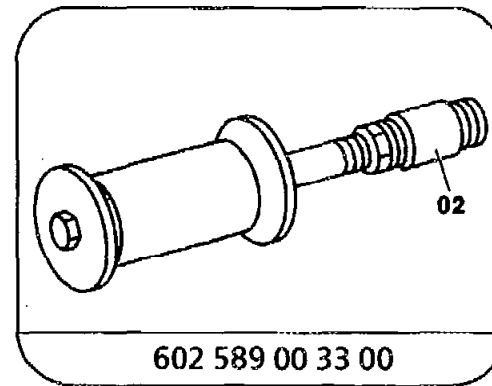
Number	Designation	Engine 604, 605, 606
BA01.30-P-1001-03A	Threaded ring for prechamber in cylinder head	Nm 130



Threaded insert



Serrated wrench



Impact extractor