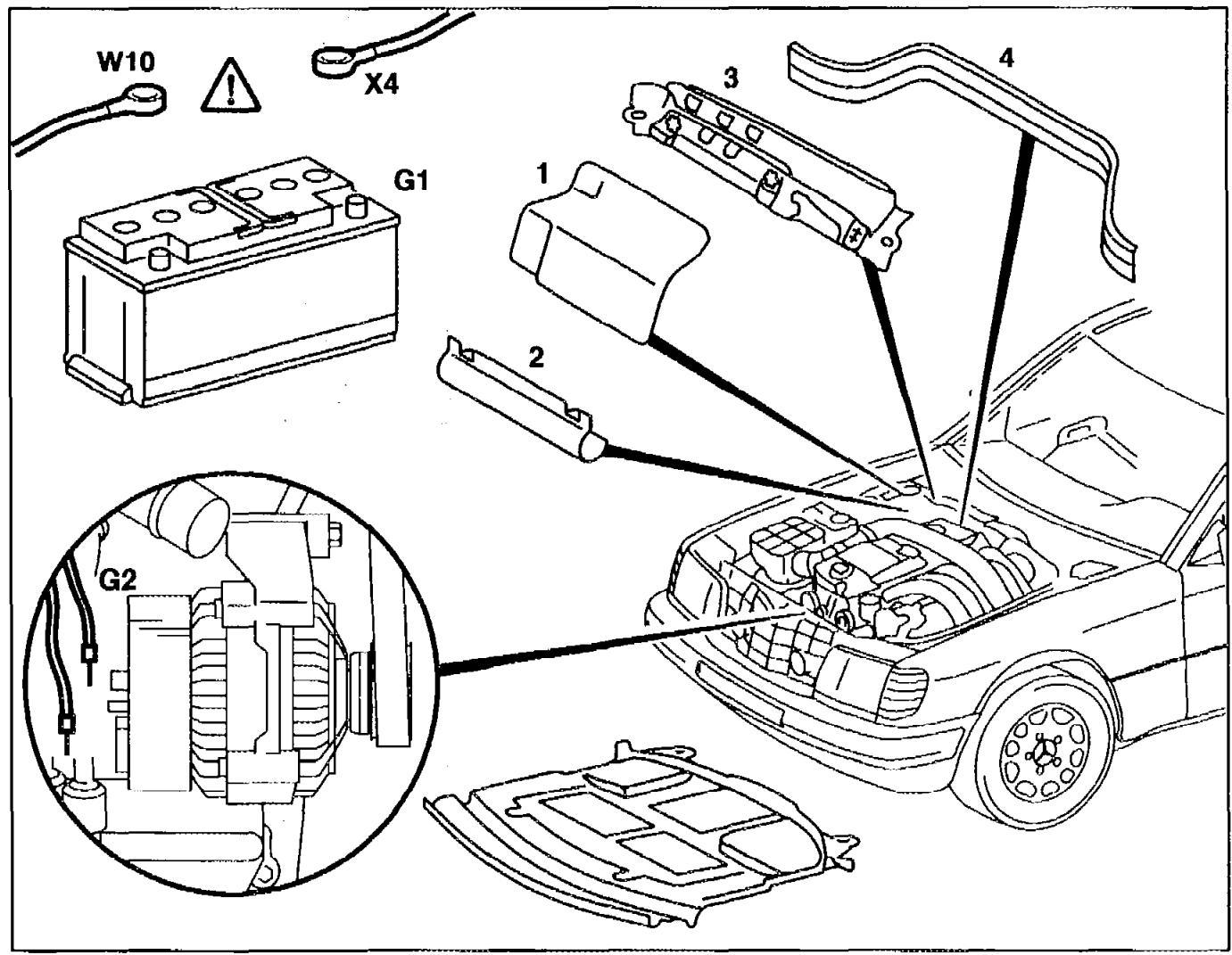


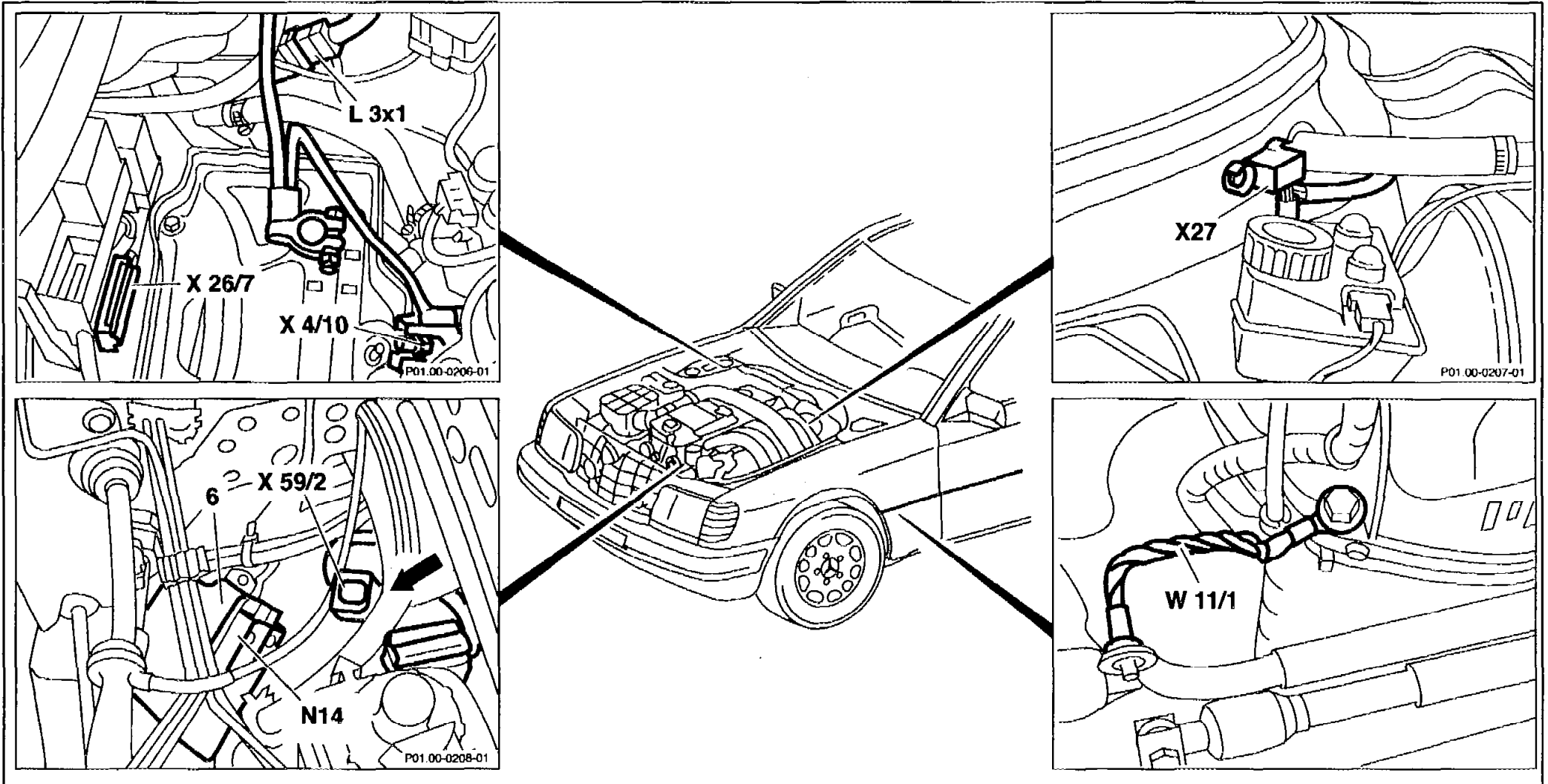
A3 AR01.00-P-2410HB

Disconnecting, connecting engine wiring harness

10.2.94

ENGINE 605, 606
in MODEL 124







1, 2, 3, 4 Covers in component compartment

6 Cover of preglow time relay

G1 Battery

G2 Alternator wiring harness

L3x1 Plug connection, starter ring gear speed sensor

N14 Preglow time relay

W10 Ground cable, battery

W11/1 Ground strap, engine



X26/7 Plug connection, engine wiring harness

X27 Plug connection, starter wiring harness

X4 Battery positive cable

X4/10 Terminal block terminal 30

X59/2 Plug connection, coolant temperature sensor

	Procedure		
 W10, X4	Ground cable and battery positive cable	Disconnect wiring. After connecting, read fault memory and code radio	
G1	Remove battery		
1, 2, 3, 4	Unclip covers at component compartment partition and behind battery, remove		
X26/7, L3x1, N14, X59/2, X4/10,	Disconnect wiring and plug connections in component compartment and in left wheelhouse	 Pay attention to fuses of the plug connections!	
X27	Plug connection of starter wiring harness	Detach plug connection, unbolt connector at component compartment partition or unclip	
G2	Disconnect alternator wiring harness		