



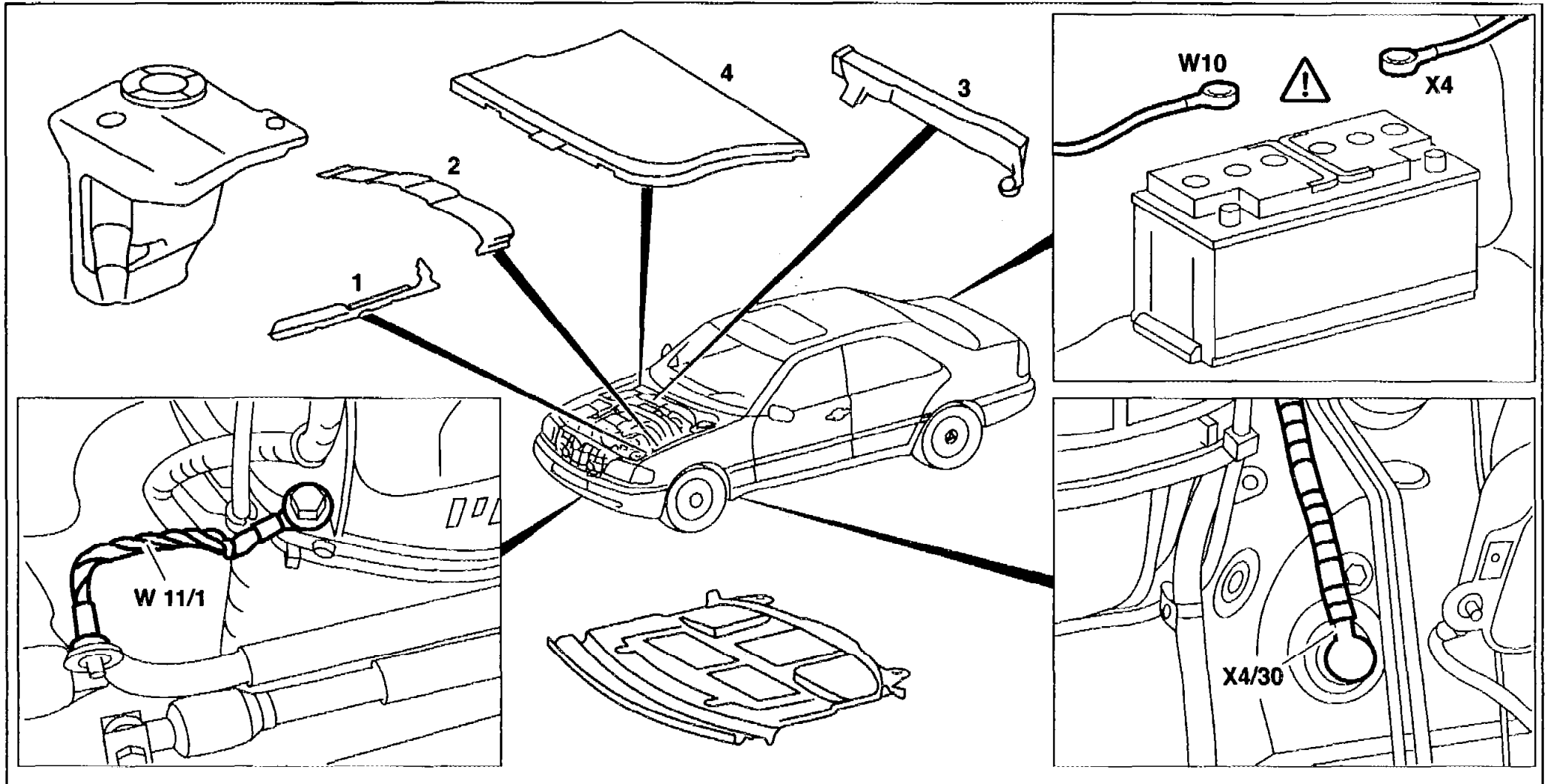
N2

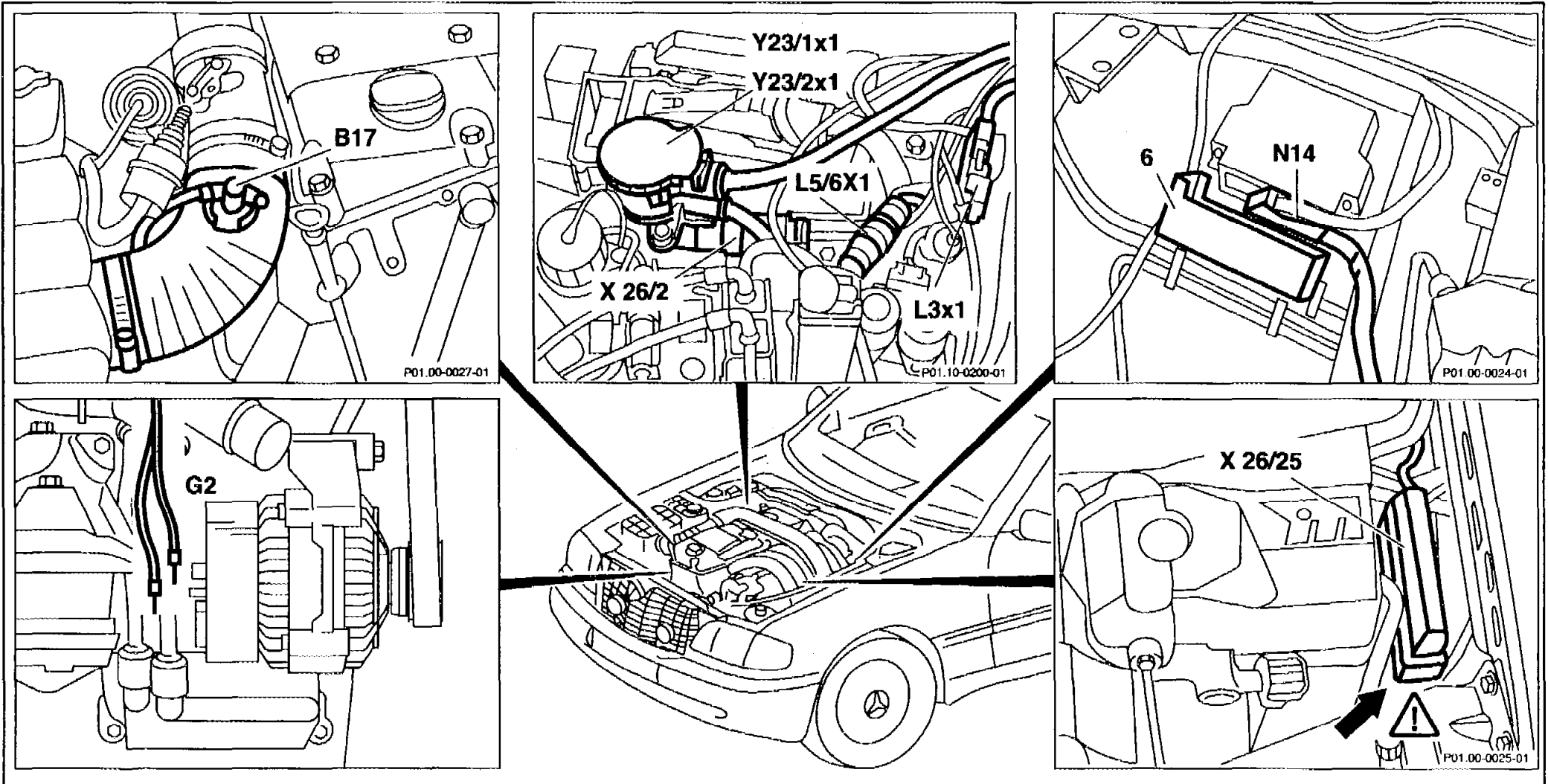
AR01.00-P-2410HA

Disconnecting, connecting engine wiring harness

2.4.93

ENGINE 604, 605
in MODEL 202







6	Cover of preglow relay	X26/2	Plug connection, engine separation point
B17	Intake air temperature sensor	X26/25	Plug connection, engine/body (24-pin)
G2	Alternator wiring harness	X4	Battery positive cable
L3x1	Plug connection, starter ring gear speed sensor	X4/30	Terminal block, terminal 30
L5/6x1	Plug connection, ERE/EVE crankshaft position sensor	Y23/1x1	Plug connection, ERE fuel metering control (engine 605)
N14	Connector of preglow time relay	Y23/2x1	Plug connection, EVE distributor-type injection pump (engine 604)
W10	Ground cable, battery		

	Procedure		
⚠ W10, X4	Ground cable and positive cable of battery	Disconnect wiring. After connecting, read fault memory and code radio	
1, 2, 3, 4	Unclip cable duct and covers of component compartment, remove		
X4/30	Terminal block terminal 30 for starter	Unbolt cable at the body	
Y23/1x1, Y23/2x1, L5/6x1, L3x1, X26/2	Disconnect wiring in the right of component compartment	⚠ Pay attention to fuses of the plug connections!	
G2	Disconnect alternator wiring harness		
⚠ X26/25	Connector of plug connection engine/body	Push cover (arrow) forward in order to unplug the connector	