



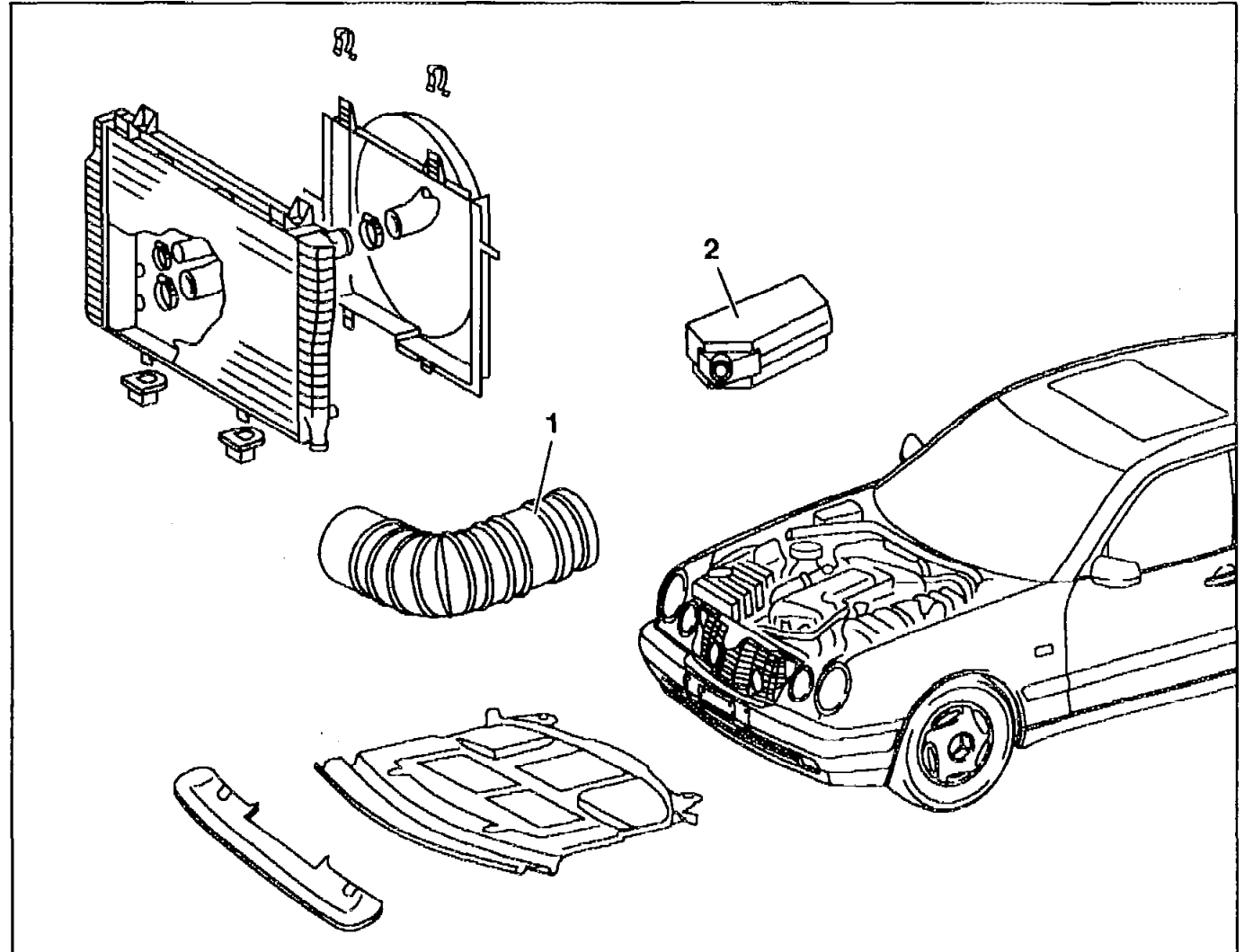
P4

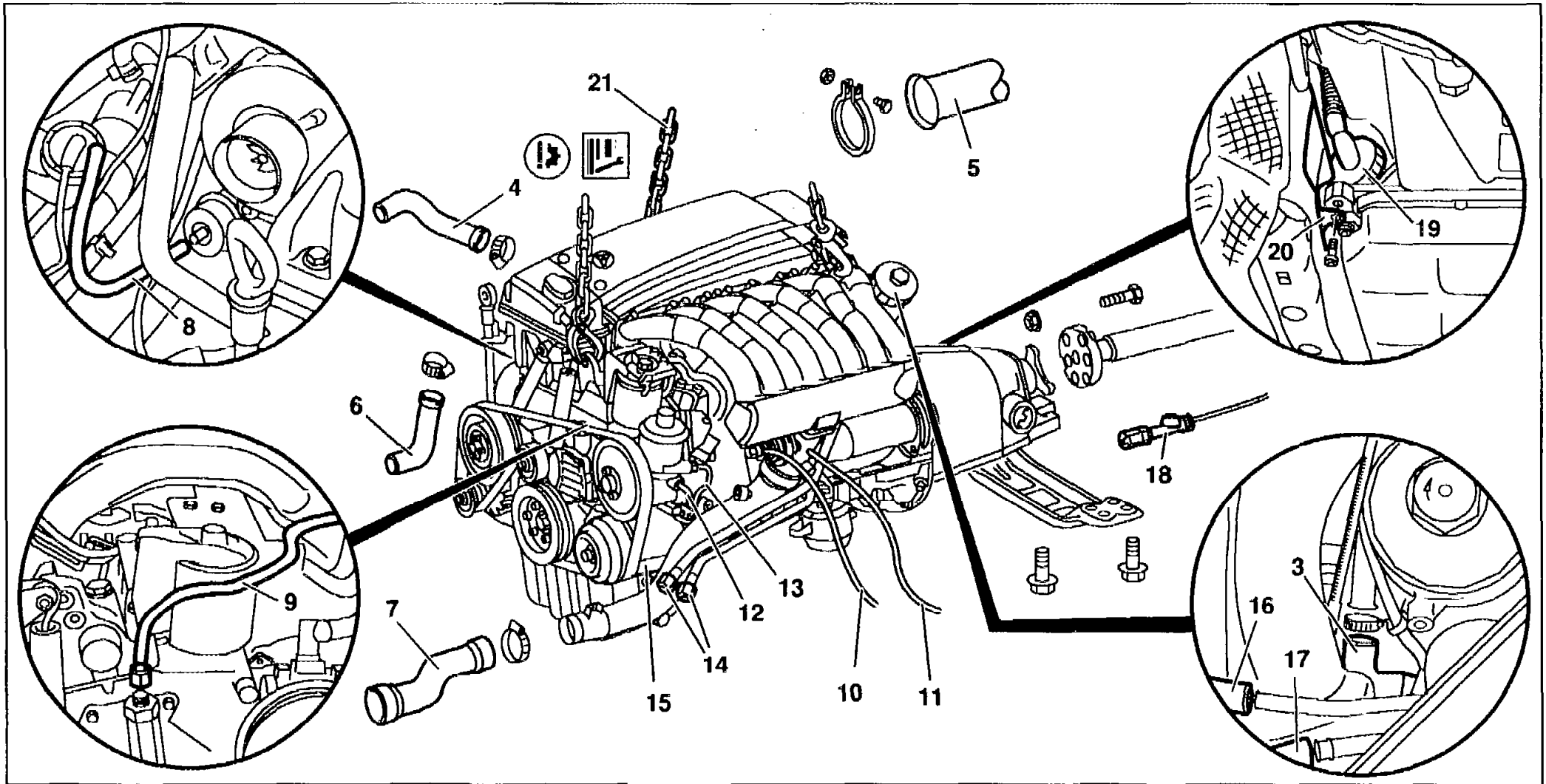
AR01.10-P-2400HC

Removing, installing engine

1.10.96

ENGINE 606.962 in MODEL 210










P01.10-0322-09

	<p>Removing, installing</p>		
<p>1</p>	<p>Disconnect ground cable of battery</p>		<p>AR54.10-P-0003A</p>
<p>2</p>	<p>Remove intake air hose (1)</p>		









3	Remove air cleaner housing (2)		
4	Remove bottom parts of noise encapsulation	Model 210	AR94.30-P-5300AB
Danger!	Risk of injury to skin and eyes from scalding from hot coolant which splashes out. Risk of poisoning from swallowing coolant.	Do not open the cooling system unless the coolant temperature is below 90 °C. Open cap slowly and allow the pressure to release. Do not pour coolant into containers for drinks. Wear protective gloves, protective clothes, and eye protection.	AS20.00-Z-0001-01A H17
5	Drain coolant	At radiator and crankcase	AR20.00-P-1142HW
6 WF	Disconnect ATF lines Connection fitting for ATF lines	Connect ATF lines with a plug	WF58.50-P-2020-01A F18
7	Remove radiator		AR20.20-P-3865HB
8	Detach coolant hose (4) at cylinder head and coolant hose (3) at oil filter housing	Installation: inspect condition of hose clips and hoses, replace if necessary. 	WH58.30-Z-1001-06A WH58.30-Z-1002-06A
9 WF	Attach guard plate for radiator/condenser Guard plate for radiator/condenser	if AC fitted (code 580, 581)	WF58.50-P-0110-01A E18
10	Disconnect engine wiring harness		AR01.00-P-2410H J2



11	Unbolt exhaust system (5) at intermediate flange of turbocharger and at transmission		
12	Remove charge pressure hoses (6, 7)		
13.1	Remove poly V-belt	if AC fitted (code 580, 581)	AR13.22-P-1202HA
14	Disconnect lines of vacuum supply (8, 9, 10, 11)	<p>Mark lines if necessary</p> <p> Installation: routing of vacuum lines, see diesel injection system ↓</p> <p>Engine 606 Diagnosis Manual Diesel Engine Volume 1 Index 3.1</p>	
15	Unbolt lines of power steering pump (12, 13)	<p> If level control fitted (code 217B) Detach hose to oil reservoir Extract oil at reservoir before disconnecting the lines.</p> <p>  </p>	<p>AR46.30-P-0500A</p> <p>BA46.30-P-1002-01A BA46.30-P-1003-01A 112 589 00 72 00</p>
16	Separate lines of engine oil cooler (14)		
17.1	Unplug electrical connection of AC compressor	if ACT fitted (code 580, 581)	

18.1	Unbolt AC compressor (15)	if ACT fitted (code 580, 581) i Attach AC compressor to bottom of engine compartment with piping connected.	BA83.55-P-1001-01A
⚠ Danger!	Risk of explosion as a result of fuel vapors igniting. Risk of poisoning as a result of inhaling fuel vapors. Risk of injury as a result of fuel coming into contact with skin and eyes.	No fire, naked flame or smoking. Pour fuels only into suitable and appropriate marked containers. Wear protective clothing when handling fuel.	AS47.00-Z-0001-01A L17
19	Disconnect fuel lines (16, 17)	i Disconnect the lines at the body side and connect with a section of hose.	
20	Detach shift rod at selector lever		
21	Unbolt propshaft at transmission		AR41.10-P-0050EA
22	Remove cable for park lock interlock (18), install	⚠ Only in selector lever position "P" i Installation: ↓ Adjust cable for park lock interlock	AR27.60-P-1000B AR27.60-P-0965B
23	Remove guard plate (20) on right of transmission		
24	Separate plug connection (19) of electrical control unit at transmission		
25	Unbolt engine mounts at front of body		AR22.10-P-1260HA
26	Remove rear engine mounts	⚠ Support transmission	AR22.10-P-1160HB



27	Raise engine, remove	<p> Ensure that the injection line is not damaged when attaching to the front engine lifting eye!</p> <p> Attach additional chain to the exhaust manifold and hook into 3rd lifting hook of engine hoist.</p> <p></p> <p></p>	<p>AR01.10-P-7500-03HA A15</p> <p>WH58.30-Z-1001-07A</p> <p>WH58.30-Z-1002-07A</p>
28	Install in the reverse order		
 Danger!	Risk of accident as a result of vehicle starting off when engine running. Risk of injury as a result of bruises and burns if you insert your hands into engine when it is being started or when it is running.	Secure vehicle to prevent it starting off. Wear closed and close-fitting work clothes. Do not grasp hot or rotating parts.	AS00.00-Z-0005-01A J17
29	Inspect ATF level in automatic transmission		AR27.00-P-0101A
30	Inspect oil level of power steering pump, adjust to correct level		AP46.00-P-4611BB
31.1	Fill pressurized oil system	If level control fitted (code 217B)	AR32.30-P-0630A
32	Fill cooling system		AR20.00-P-1142HA
	Notes on coolant	All engines	AH20.00-N-2080-01A E17



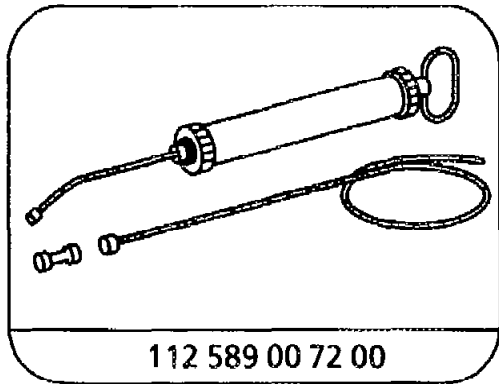
33	Inspect cooling system for leaks	ⓘ Engine with new cylinder head gasket: Do not pressure-test cooling system until engine has reached operating temperature.	AR20.00-P-1010HA
34	Read fault memory, erase.	Stored faults which may be caused by disconnecting cables or by simulation when carrying out removal and installation or test work, have to be processed and erased in the fault memories after completing the work. Diagnosis Manual Volume 1.1: Index 0: Connecting and using test equipment.	

Nm AC compressor

Number	Designation	Engine 104.945/995, 111.942/947/970, 604.912/917, 605.912/962, 606.912/962 in model 210
BA83.55-P-1001-01A	Bolt of AC compressor to bracket	Nm 23

Nm Power steering pump

Number	Designation	Model 210.003/004/010/ 015/017/020/025/035/ 037/045/053/055/072/ 210/215/217/225/235/ 237/245/272/610/617	Model 210.061/063/ 065/070/074/081 /082/083/261/ 263/265/270/274 /281/282/663
BA46.30-P-1002-01A	Return flow line at power steering pump	Nm –	2
BA46.30-P-1003-01A	High pressure expansion hose at power steering pump	M14x1.5 Nm –	–
		M16x1.5 Nm 45	45



112 589 00 72 00

Hand-operated pump

**Commercially available tools (see Workshop Equipment Manual)**

Number	Designation	Make (e.g.)	Order number
WH58.30-Z-1001-06A	6 mm wrench hexagon on flexible shaft for hose clips with worm drive	Hazet Güldenwerther Bahnhofstraße 25-28 D-42857 Remscheid	426-6
WH58.30-Z-1002-06A	7 mm wrench hexagon on flexible shaft for hose clips with worm drive	Hazet Güldenwerther Bahnhofstraße 25-28 D-42857 Remscheid	426-7
WH58.30-Z-1001-07A	Engine hoist (self-locking)	Bäcker Herderstraße D-42853 Remscheid	3188
WH58.30-Z-1002-07A	Shackle		C1 DIN 82101