

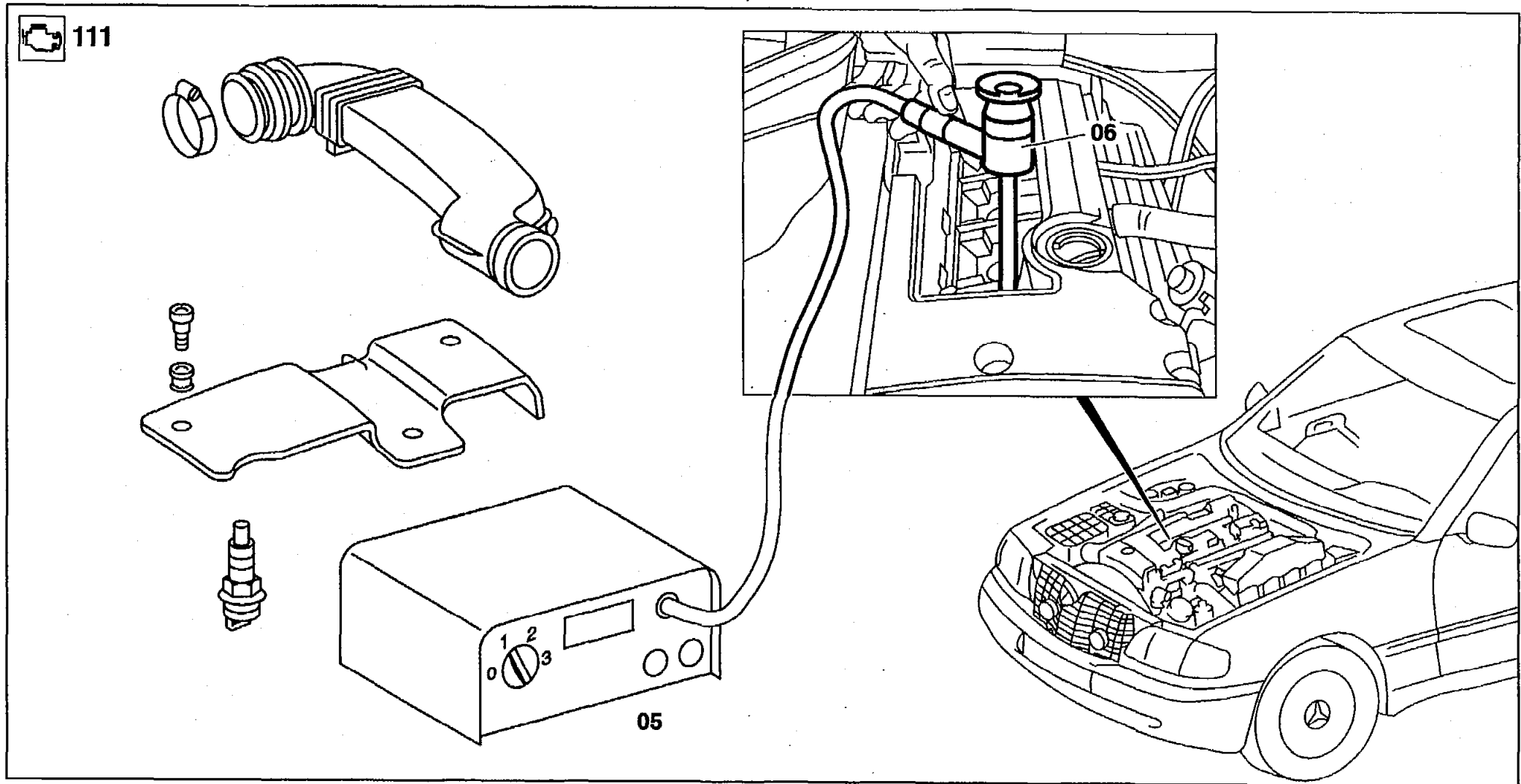
A1

AR01.00-P-0200HA

Inspecting cylinders with light probe

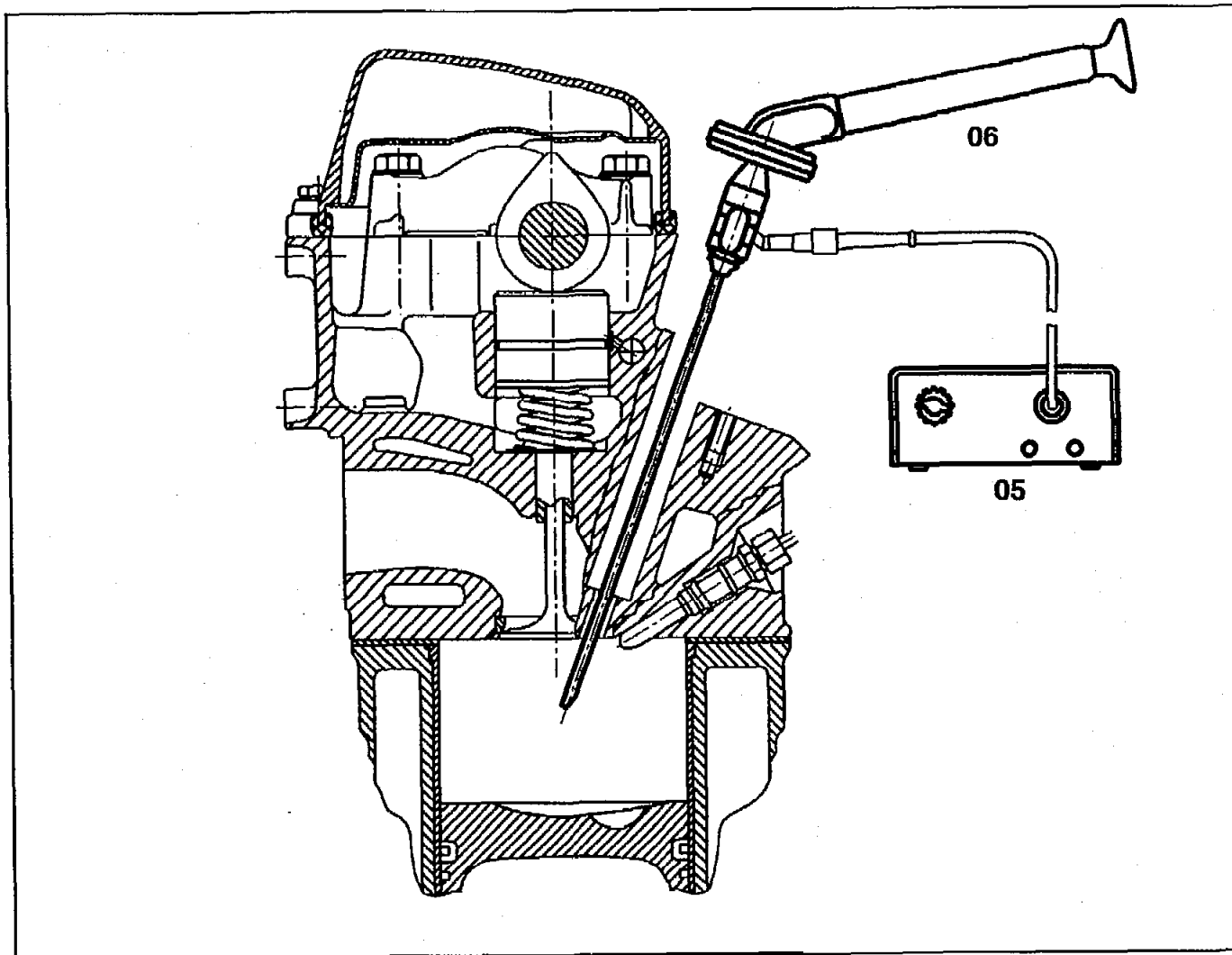
14.2.94

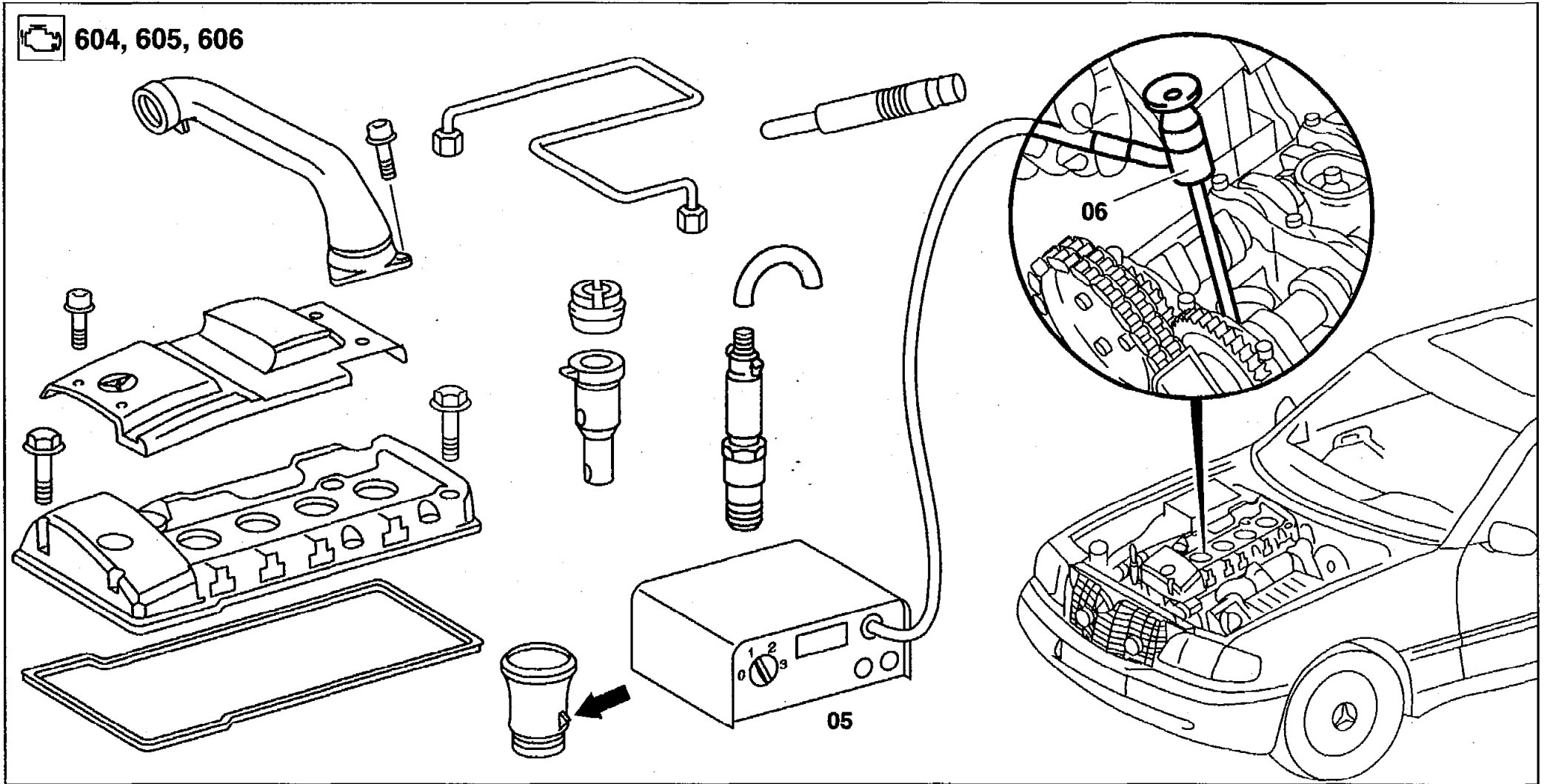
ENGINE 111, 602.982 /983, 604, 605, 606 /











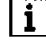
Engine 602.982/983





P01.00-0212-09

 	Removal, installation		
1.1	Remove spark plugs	Engine 111	AP15.10-P-1580CA

1.2	Remove injection nozzles	Engine 602.982	AR07.13-P-8410C
	Remove injection nozzles	Engine 602.983 in model 461	AR07.13-P-8410GH
1.3	Remove glow plugs	Engine 604, 605, 606	AR15.20-P-4111H
2	Remove prechamber	Engine 604, 605, 606	AR01.30-P-5402HA M5
3	Set piston of cylinder to be inspected to BDC	If necessary, rotate engine at crankshaft.	
4	Connect cylinder inspection light (05) and insert inspection probe (06) of the inspection light		WH58.30-Z-1027-05A
5 	Withdraw ignition key	 To avoid starter being operated inadvertently	
	Inspecting		
6	Examine cylinder wall	<p> Distinguish between "optical streaks" and "fretting streaks".</p> <p>"Optical streaks" are usually streaks up to 3 mm in width which are not roughened (e.g. from the ring gap) and therefore do not represent a problem. The traces of honing are still visible.</p> <p>In the case of "fretting streaks" (cylinder wear) the cylinder wall is roughened and the traces of honing are no longer visible.</p> <p>In cases of doubt ↓</p> <p>Remove cylinder head, engine 111</p>	AR01.30-P-5800A

		Remove cylinder head, engine 602.982 in model 210	AR01.30-P-5800HW
		Remove cylinder head, engine 602.983 in model 461	AR01.30-P-5800HW
		Remove cylinder head, engine 604, 605, 606 in model 124, 140, 202, 210	AR01.30-P-5800HW
		Remove cylinder head, engine 606 in model 463	AR01.30-P-5800GG
7	Performing inspection of the other cylinders by analogy		
8	Install in the reverse order		

Commercially available tools (see Workshop Equipment Manual)

Number	Designation	Make (e.g.)	Order number
WH58.30-Z-1027-05A	Cylinder inspection light Motoskop DB (cold light) with 560 mm and 200 mm lens probes	Karl Storz GmbH D-78512 Tuttlingen	80 900