


J3

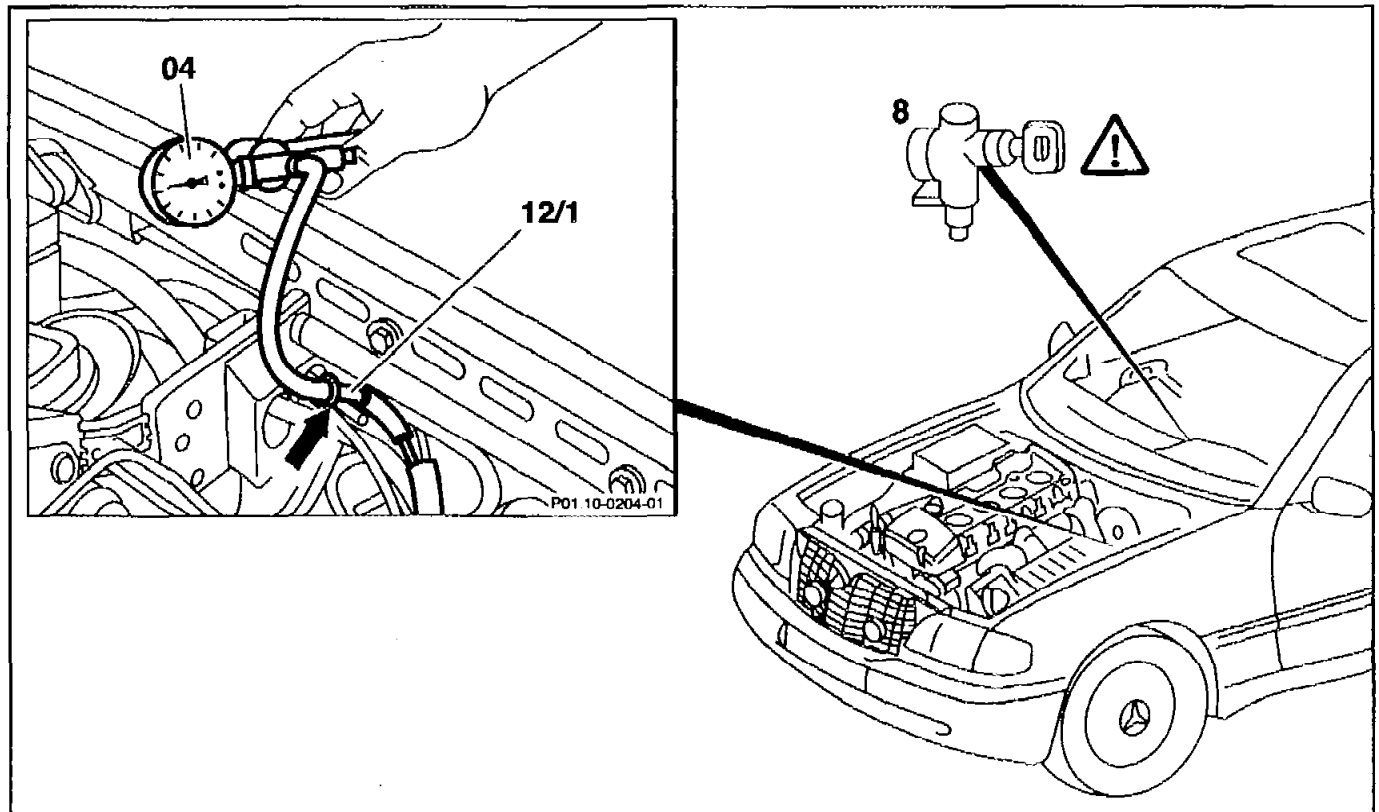
AR01.10-P-0110HA

Cranking engine with starter



2.4.93

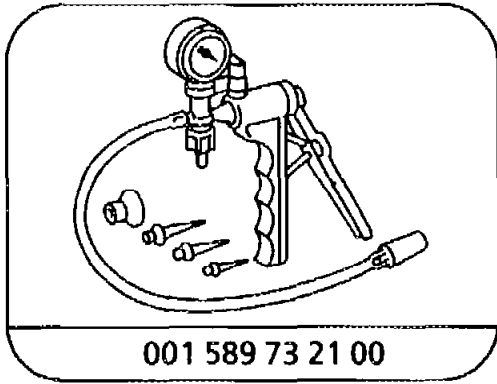
**ENGINE 605, 606
in MODEL 124**

- 04  Vacuum tester
- 8 Ignition/starter switch
- 12/1 Vacuum cable (br/bl)



P01.10-0212-05

Fig. item, etc.	Work instructions		
04	Vacuum tester	 <p>Separate vacuum line (12/1) between key-operated engine stop and Stop vacuum unit at the hose connection (arrow). Connect vacuum tester to vacuum line (brown/blue) to the injection pump and pressurize vacuum line with 400 mbar. This prevents fuel being pumped.</p>	001 589 73 21 00
<p> Danger!</p> <p>8</p>	<p>Risk of accident as a result of vehicle starting off when engine running. Risk of injury as a result of bruises and burns if you insert your hands into engine when it is being started or when it is running.</p> <p>Crank engine with ignition/starter switch</p>	<p>Secure vehicle to prevent it starting off. Wear closed and close-fitting work clothes. Do not grasp hot or rotating parts.</p>	<p>AS00.00-Z-0005-01A</p> <p>J17</p>



001 589 73 21 00

Hand-operated vacuum pump