



G3

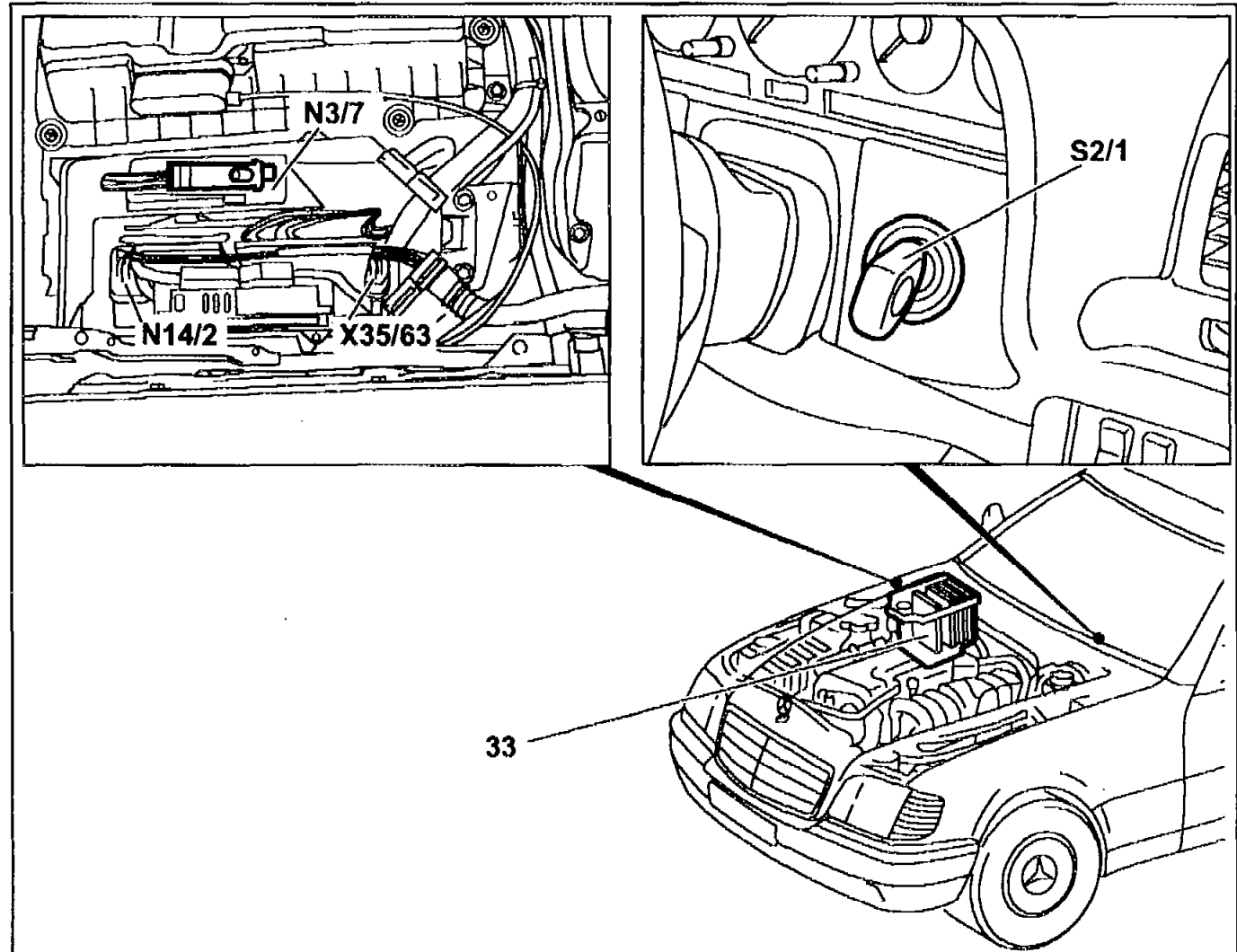
AR01.10-P-0110D

Cranking engine with starter




23.4.96

ENGINE 606.961 in MODEL 140

- 33 Control module box cover
- N3/7 IFI control module
- N14/2 Glow output stage
- S2/1 Ignition/starter switch
- X35/63 Control module box/engine separation point





 	Removing, installing		
1	Unbolt cover of control module box (33)		
2	Separate connector at IFI control module (N3/7)		
 Danger!	Risk of accident as a result of vehicle starting off when engine running. Risk of injury as a result of bruises and burns if you insert your hands into engine when it is being started or when it is running.	Secure vehicle to prevent it starting off. Wear closed and close-fitting work clothes. Do not grasp hot or rotating parts.	AS00.00-Z-0005-01A J17
3	Crank engine with ignition/starter switch (S2/1)		
4	Install in the reverse order		