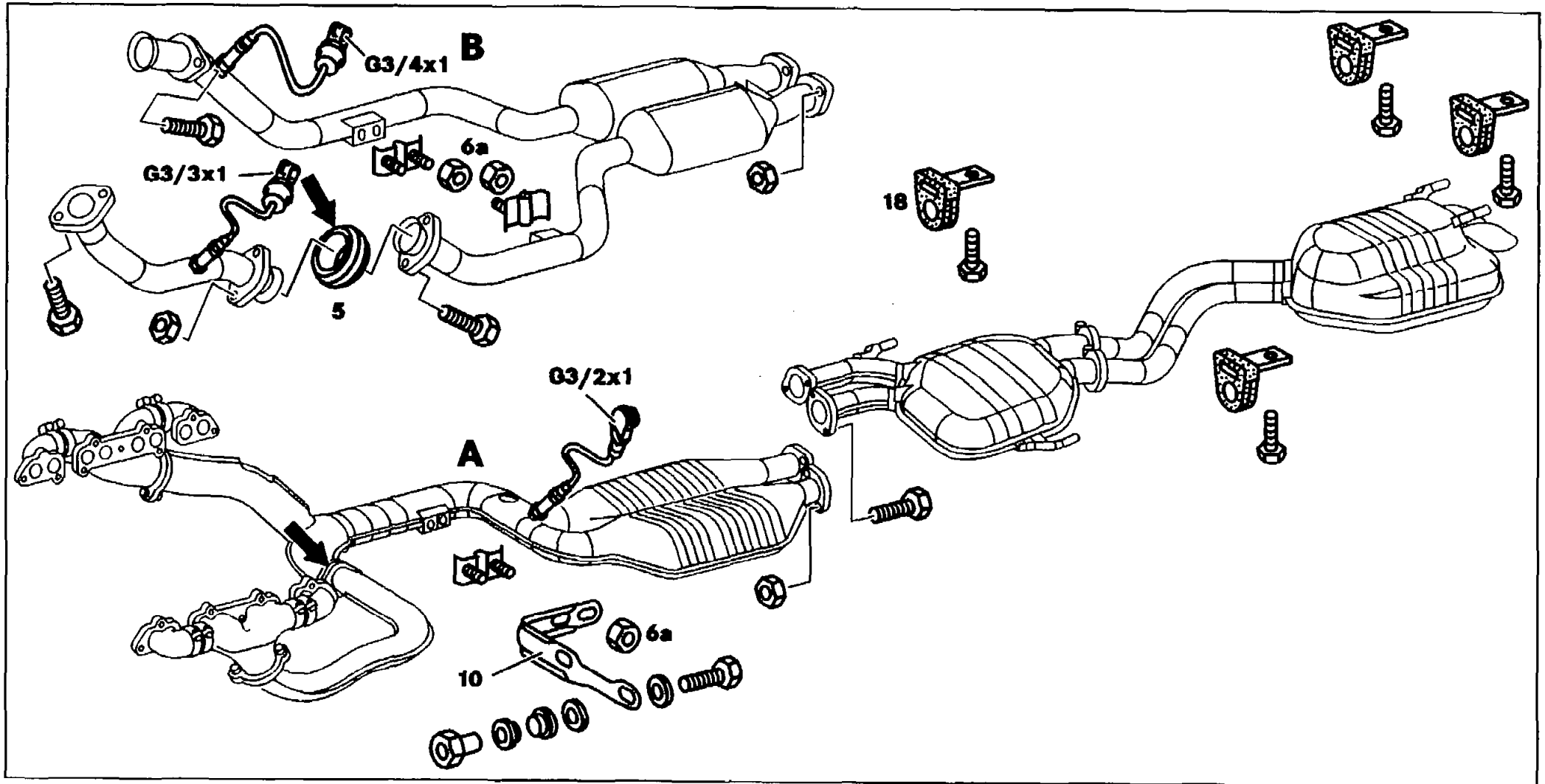


G6	AR49.10-P-7000E	Removing and installing exhaust system complete
----	-----------------	---

16.8.94

ENGINE 119.97/981/982



A Engine 119.97

B Engine 119.98



	Removal, installation		
1	Remove bottom engine compartment panel and fit on		
2	Unplug oxygen sensor connector (G3/2x1 or G3/3x1, G3/4x1)		
3.1	Take off heat shield of pitman arm	Model 124	
4	Separate flanged connections of exhaust manifold/catalytic converter or front exhaust system	Nm If bolts do not turn easily or if thread is damaged: ↓ replace rivet nuts in exhaust manifold	BA14.10-P-1002-01B AR49.10-P-5531-01DA F17
BT	Exhaust manifold modified	Model 140 RHS with engine 119.97	BT14.10-P-0001-01B P17
5	Separate flanged connection at cross pipe (arrow)	take off cross pipe	BA49.10-P-1003-01A
6.1	Take off carrier (10)	Engine 119.97	
6.2	Muttern (6a) am linken und rechten Träger abschrauben	Motor 119.981/982	
7.1	Linke Rahmen-Querstrebe ausbauen	Typ 129	BA61.10-P-1001-01A
8	Gummilager (18) abmontieren	Typ 129: ↓ Gummilager am Nachschalldämpfer aushängen	WH58.30-P-1001-19A



9	Komplette Auspuffanlage abnehmen		
	Prüfen		
10	Gummilager (18) und Sinterdichtring (5) prüfen	Ggf. erneuern	
11	Einbau in umgekehrter Reihenfolge		

Nm Exhaust manifold

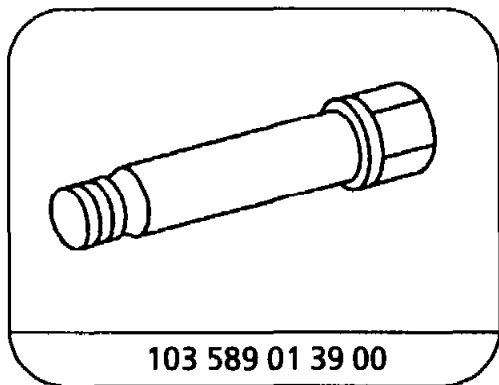
Number	Designation		Engine 119
BA14.10-P-1002-01B	Flanged connection of exhaust manifold or front exhaust pipes	Nm	20

Nm Exhaust system

Number	Designation		Engine 119
BA49.10-P-1003-01A	Flanged connection to cross pipe/exhaust system	Nm	25

Nm Frame floor

Number	Designation		Model 129
BA61.10-P-1001-01A	Self-locking bolt of rear cross strut to frame floor	Nm	120



Caulking bolt

Commercially available tools (see Workshop Equipment Manual)

Number	Designation	Make (e.g.)	Order number
WH58.30-P-1001-19A	Hook wrench	Hazet	2184-2